

PARTS CATALOGUE

VK540EY (8ACP) EUROPE,RUS,JAPAN

1H8AC-300E1

()



NEWS No.	DATE	COMMENT
PE0-SM-150032	Dec.,08,2015	COR:FIG.33/37/38 METER LIST&ILLUST CORRECTION

2015/12/15

VK540EY
PARTS CATALOGUE
©2008 by Yamaha Motor Co., Ltd.
1st edition, September 2008
All rights reserved.
Any reprinting or unauthorized use
without the written permission of
Yamaha Motor Co., Ltd.
is expressly prohibited.
Printed in Japan.

FOREWORD

This Parts Catalogue is related to the parts for the model(s) on the cover page. When you are ordering replacement parts, please refer to this Parts Catalogue and quote both part numbers and part names correctly.

1. Modifications or additions which have been made after the issue of the Parts Catalogue will be announced in the Parts News.

It is advisable that you make the necessary corrections to the Parts Catalogue according to the Parts News.

2. Abbreviations

The following abbreviations are used in this Parts Catalogue.

“UR” Use specified parts number.

“UN” Use as many as needed.

“AP” Alternate Parts

“LM” Locally Made (Parts need to be ordered locally)

“F#” Frame No. (Applicable machine No.)

“O/S” Over Size

3. The number of components for assembly

- Parts, which are to be supplied in an assembly, are listed with a dot (.) in front of the part name as shown below.
- The numeral appearing to the right of each component part indicates the quantity of parts for each assembly unit.

PART NO.	DESCRIPTION	Q'TY	REMARKS
2F5-83310-60	FRONT FLASHER LIGHT ASSY	2	
115-83311-60	.BULB (6V-18W)	1	

4. Applicable colours of graphics are represented in the “REMARKS” as shown below.

PART NO.	DESCRIPTION	Q'TY	REMARKS
2N4-24110-00-X5	FUEL TANK COMP.	2	MXR
3J1-24240-10	.GRAPHIC, FUEL TANK	1	FOR MXR

5. Note that the illustrations for reference in finding parts numbers are not to be used for assembling. When assembling, please use the applicable service manual.

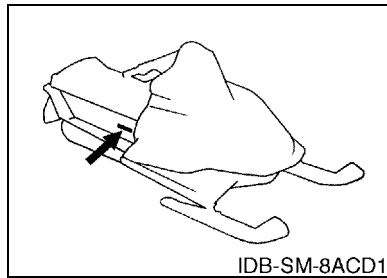
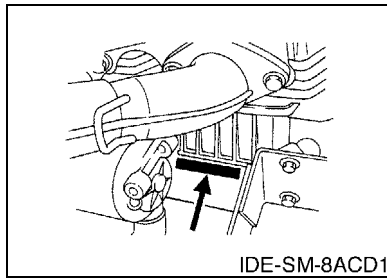
6. The asterisk (*) before a reference number indicates modified items after the first edition.

FOREWORD

7. Applicable Serial No.

Engine Serial No.

Frame Serial No.



8. Applicable Colour Code (The (*) mark shows Model colour.)

Abbreviation	Colour Name	Colour Code
BWC1(*)	BLUISH WHITE COCKTAIL 1	0390
SMX(*)	BLACK METALLIC X	0903

9. Quantity Column Information

Column No.	Name Of Q'ty Column	Destination
1	EUR	EUROPE
2	RUS	RUS
3	JPN	JAPAN

10. Applicable Starting Serial No.

Frame Serial No.

Serial No.	Name Of Q'ty Column	Model Code
JYE8AC0009A063764	EUR	8ACP
JYE8AC0009A063764	RUS	8ACP
JYE8AC0009A063764	JPN	8ACP

CONTENTS

ENGINE

CYLINDER HEAD	1
CRANKSHAFT & PISTON	2
AIR SHROUD & FAN	4
OIL PUMP	6
PUMP DRIVE GEAR	7
INTAKE	8
CARBURETOR	10
EXHAUST	12
CRANKCASE	13
STARTER	14

DRIVE

PRIMARY SHEAVE	15
SECONDARY SHEAVE	17

BODY

ENGINE BRACKET	18
OIL TANK	19
FRAME	20
SKI	23
STEERING	26
STEERING GATE	28
FUEL TANK	29
SEAT	31
BRAKE	32
CONTROL CABLE	33
TRACK SUSPENSION 1	34
TRACK SUSPENSION 2	36
TRACK SUSPENSION 3	40
TRACK DRIVE 1	41
TRACK DRIVE 2	42
TRACK DRIVE 3	45
SHROUD	47
EMBLEM	50
WINDSHIELD	51
GUARD & LUGGAGE BOX	52
BUMPER	53
INSTRUMENT PANEL	55

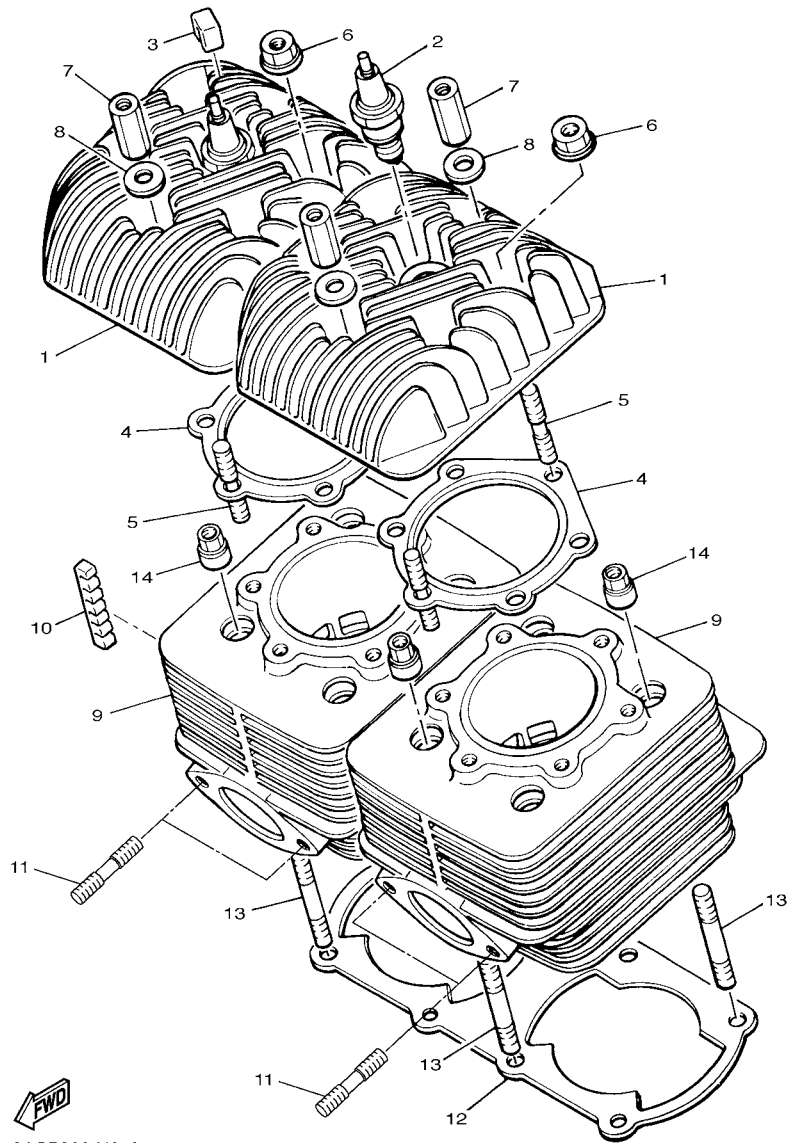
ELECTRICAL

GENERATOR	57
-----------------	----

STARTING MOTOR	58
METER	59
HEADLIGHT	60
TAILLIGHT	61
HANDLE SWITCH & LEVER	62
ELECTRICAL 1	63
ELECTRICAL 2	65
ELECTRICAL 3	66
ALTERNATE REAR VIEW MIRROR	67
ALTERNATE REBUILD KIT	68
ALTERNATE CLUTCH TUNE UP KIT	69

INDEX

NUMERICAL INDEX	70
-----------------------	----



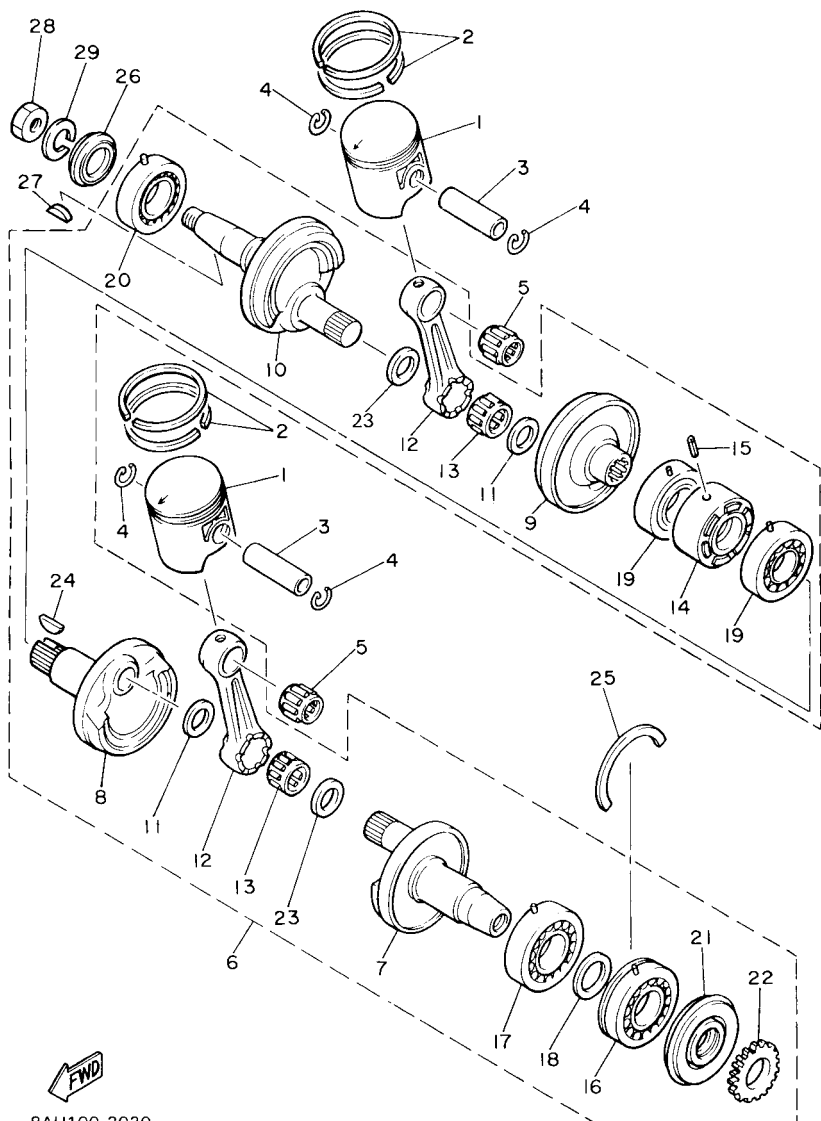
8ACP300-H010

FIG. 1 CYLINDER HEAD

REF. NO.	PART NO.	DESCRIPTION	EUR	RUS	JPN	REMARKS
1	8R6-11111-00	HEAD, CYLINDER 1	2	2	2	
2	94702-00188	PLUG, SPARK (NGK BR9ES)	2	2		
	94709-00188	PLUG, SPARK (NGK BR9ES)			2	
3	83R-11161-00	ABSORBER 1	12	12	12	
4	83R-11181-00	GASKET, CYLINDER HEAD 1	2	2	2	
5	90116-08104	BOLT, STUD	12	12	12	
6	95707-08500	NUT, FLANGE	8	8	8	
7	90179-08269	NUT	4	4	4	
8	90201-08100	WASHER, PLATE	4	4	4	
9	83R-11311-00	CYLINDER 1	2	2	2	
10	83R-11162-00	ABSORBER 2	8	8	8	
11	95612-08318	BOLT, STUD	4	4	4	
12	89N-11351-00	GASKET, CYLINDER	1	1	1	
13	90116-08302	BOLT, STUD	8	8	8	
14	90179-08268	NUT	8	8	8	

FIG. 2 CRANKSHAFT & PISTON

REF. NO.	PART NO.	DESCRIPTION	EUR	RUS	JPN	REMARKS
1	8R6-11631-00-95	PISTON (STD)	2	2	2	
	8R6-11635-00	PISTON (0.25MM O/S)	2	2	2	AP
	8R6-11636-00	PISTON (0.50MM O/S)	2	2	2	AP
2	8R6-11601-00	PISTON RING SET (STD)	2	2	2	
	8R6-11601-10	PISTON RING SET (0.25MM O/S)	2	2	2	AP
	8R6-11601-20	PISTON RING SET (0.50MM O/S)	2	2	2	AP
3	8H8-11633-00	PIN, PISTON	2	2	2	
4	93450-21053	CIRCLIP	4	4	4	
5	93310-320G0	BEARING	2	2	2	
6	8AT-11400-01	CRANKSHAFT ASSY	1	1	1	
7	83R-11412-01	.CRANK 1	1	1	1	
8	8H8-11422-01	.CRANK 2	1	1	1	
9	8H8-11432-01	.CRANK 3	1	1	1	
10	8AT-11442-00	.CRANK 4	1	1	1	
11	90209-24073	.WASHER	2	2	2	
12	8R6-11651-00	.ROD, CONNECTING	2	2	2	
13	93310-524K4	.BEARING	2	2	2	
14	8H8-11515-00	.SEAL, LABYRINTH 1	1	1	1	
15	91609-30010	.PIN, SPRING	1	1	1	
16	93306-30627	.BEARING	1	1	1	
17	93306-30628	.BEARING	1	1	1	
18	90201-33299	.WASHER, PLATE	1	1	1	
19	93306-20617	.BEARING	2	2	2	
20	93306-20620	.BEARING	1	1	1	
21	93103-32095	.OIL SEAL	1	1	1	
22	8K2-13178-00	.GEAR, PUMP DRIVE	1	1	1	
23	8A7-11685-00	.WASHER, CRANK PIN	2	2	2	



FWD
8AU100-3020

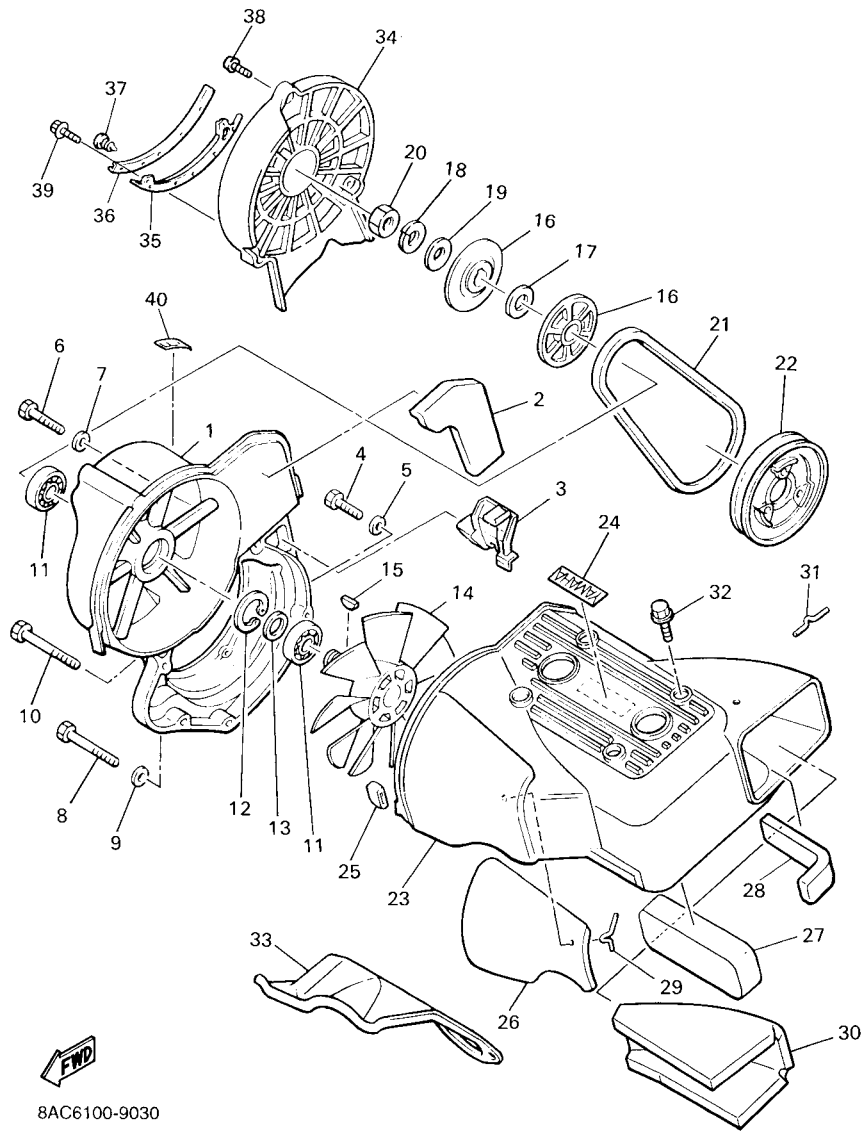
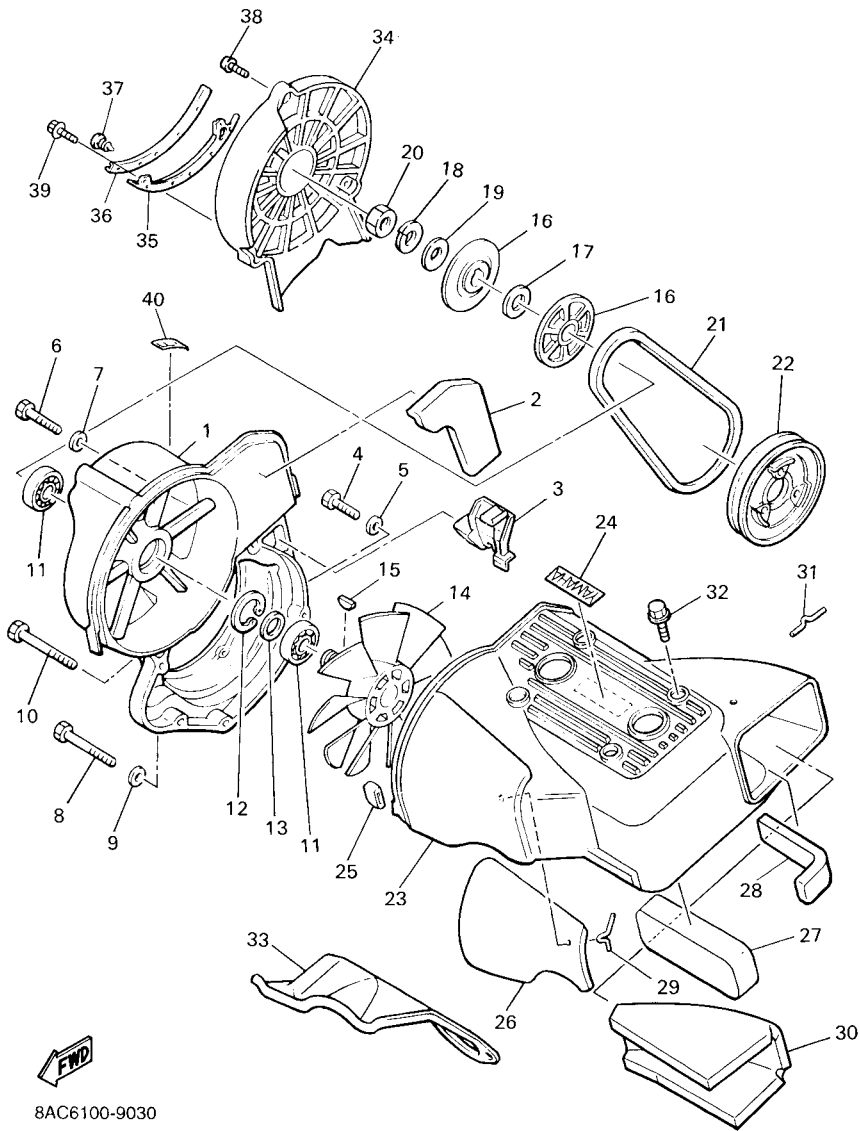


FIG. 3 AIR SHROUD & FAN

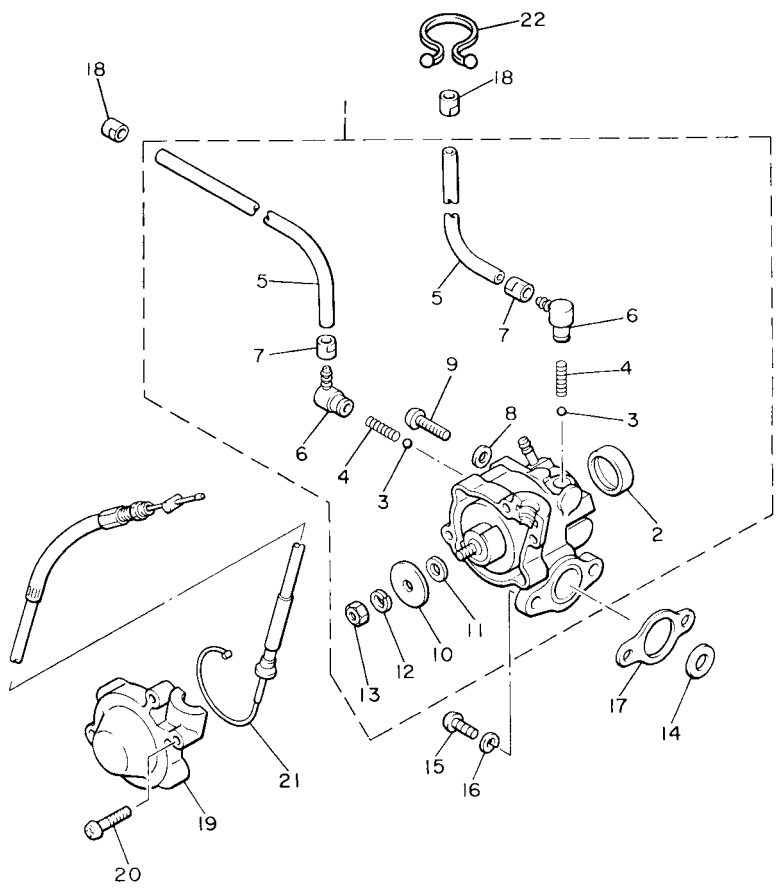
REF. NO.	PART NO.	DESCRIPTION	EUR	RUS	JPN	REMARKS
1	88F-12621-02	CASE, FAN	1	1	1	
2	8Y0-12679-00	DAMPER, SHROUD 6	1	1	1	
3	8Y0-12658-00	DAMPER, AIR SHROUD 1	1	1	1	
4	97027-08040	BOLT, HEXAGON	2	2	2	
5	92907-08600	WASHER, PLATE	2	2	2	
6	97027-08055	BOLT, HEXAGON	1	1	1	
7	92907-08600	WASHER, PLATE	1	1	1	
8	97027-08075	BOLT, HEXAGON	1	1	1	
9	92907-08600	WASHER, PLATE	1	1	1	
10	97027-08075	BOLT, HEXAGON	1	1	1	
11	93306-20315	BEARING	2	2	2	
12	99009-40500	CIRCLIP	1	1	1	
13	90201-17713	WASHER, PLATE	1	1	1	
14	8H8-12611-01	FAN	1	1	1	
15	90280-05014	KEY, WOODRUFF	1	1	1	
16	8H8-12619-01	PULLEY 2	2	2	2	
17	90214-17017	WASHER, CLAW (0.5T)	1	1	1	UR UN
	90214-17018	WASHER, CLAW (1.0T)	1	1	1	UR UN
18	92907-16100	WASHER	1	1	1	
19	90201-17713	WASHER, PLATE	1	1	1	
20	90170-16425	NUT	1	1	1	
21	8H8-12612-00	BELT	1	1	1	
22	8H8-12618-01	PULLEY 1	1	1	1	
23	8H8-12651-02	AIR SHROUD, CYLINDER 1	1	1	1	
24	99246-00080	EMBLEM, YAMAHA	1	1	1	
25	8H8-12658-00	DAMPER, AIR SHROUD 1	2	2	2	
26	8H8-12659-00	DAMPER, AIR SHROUD 2	1	1	1	



8AC6100-9030

FIG. 3 AIR SHROUD & FAN

REF. NO.	PART NO.	DESCRIPTION	EUR	RUS	JPN	REMARKS
27	8H8-12669-00	DAMPER, AIR SHROUD 4	1	1	1	
28	8V8-12678-00	DAMPER, AIR SHROUD 5	1	1	1	
29	91401-16025	PIN, COTTER	3	3	3	
30	8AT-12679-00	DAMPER, SHROUD 6	1	1	1	
31	91401-16025	PIN, COTTER	3	3	3	
32	90119-06108	BOLT, WITH WASHER	4	4	4	
33	8H8-12652-00	AIR SHROUD, CYLINDER 2	1	1	1	
34	8L0-12616-00	COVER, FAN CASE	1	1	1	
35	8Y0-12637-02	STAY 1	1	1	1	
36	8Y0-12687-02	DAMPER, DUCT 4	1	1	1	
37	90269-05051	RIVET	5	5	5	
38	98907-06025	SCREW, BIND	2	2	2	
39	95807-06025	BOLT, FLANGE	1	1	1	
40	8AC-1262A-E0	LABEL, WARNING 2	1		1	
	8AC-1262A-R1	LABEL, WARNING 2			1	



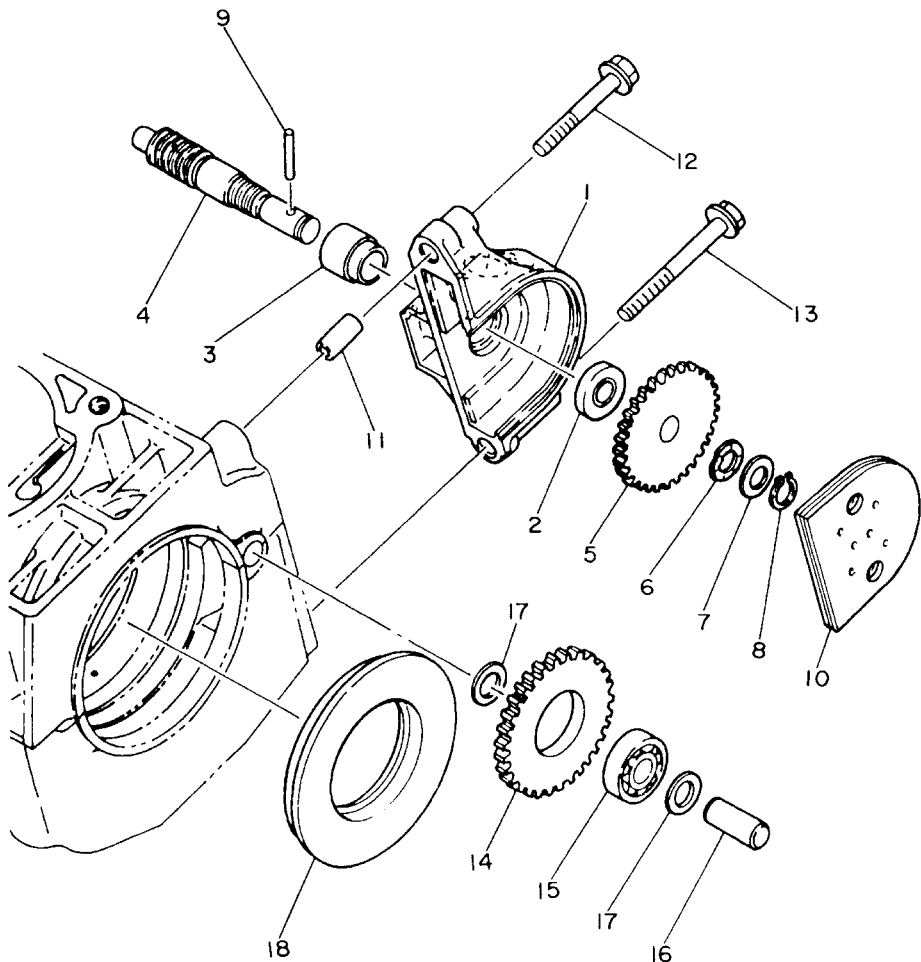
FWD
8AU100-3040

FIG. 4 OIL PUMP

REF. NO.	PART NO.	DESCRIPTION	EUR	RUS	JPN	REMARKS
1	8AT-13101-00	OIL PUMP ASSY	1	1	1	
2	90338-21075	.PLUG	1	1	1	
3	93505-32002	.BALL	2	2	2	
4	90501-02217	.SPRING, COMPRESSION	2	2	2	
5	91A30-03042	.TUBE, FLEXIBLE VINYL	2	2	2	
6	353-13552-01	.NOZZLE	2	2	2	
7	90468-02025	.CLIP	2	2	2	
8	90430-04004	.GASKET	1	1	1	
9	98902-04020	.SCREW, BIND	1	1	1	
10	137-13138-01	.PLATE, ADJUSTING	1	1	1	
11	137-13137-00	.SHIM, PLUNGER	1	1	1	
12	92901-05100	.WASHER, SPRING	1	1	1	
13	95301-05600	.NUT	1	1	1	
14	90201-08624	WASHER, PLATE	1	1	1	
15	98507-05016	SCREW, PAN HEAD	2	2	2	
16	92907-05100	WASHER, SPRING	2	2	2	
17	8Y0-13116-01	GASKET, PUMP CASE	1	1	1	
18	90468-02025	CLIP	2	2	2	
19	8A5-13146-01	COVER, ADJUST PULLEY	1	1	1	
20	98507-04018	SCREW, PAN HEAD	3	3	3	
21	8L8-26320-04	PUMP CABLE ASSY	1	1	1	
22	90464-16039	CLAMP	1	1	1	

FIG. 5 PUMP DRIVE GEAR

REF. NO.	PART NO.	DESCRIPTION	EUR	RUS	JPN	REMARKS
1	8AT-15416-00	COVER, OIL PUMP	1	1	1	
2	93101-10001	OIL SEAL	1	1	1	
3	821-13176-00	METAL, WORM SHAFT OUTER	1	1	1	
4	866-13175-00	SHAFT, WORM	1	1	1	
5	821-13188-00	GEAR, DRIVE (32T)	1	1	1	
6	90206-11016	WASHER, WAVE	1	1	1	
7	137-13148-00	PLATE, CAM THRUST	1	1	1	
8	99009-10400	CIRCLIP	1	1	1	
9	93603-22028	PIN, DOWEL	1	1	1	
10	8K4-15426-00	COVER, OIL PUMP 2	1	1	1	
11	99530-08016	PIN, DOWEL	2	2	2	
12	95027-06040	BOLT, FLANGE	1	1	1	
13	95027-06055	BOLT, FLANGE	1	1	1	
14	8H8-13179-00	GEAR, IDLE (34T)	1	1	1	
15	93306-00002	BEARING	1	1	1	
16	8G8-13342-00	SHAFT, IDLE GEAR	1	1	1	
17	90201-10119	WASHER, PLATE	2	2	2	
18	8K4-13119-00	SEAL, GREASE	1	1	1	



8AU100-3050

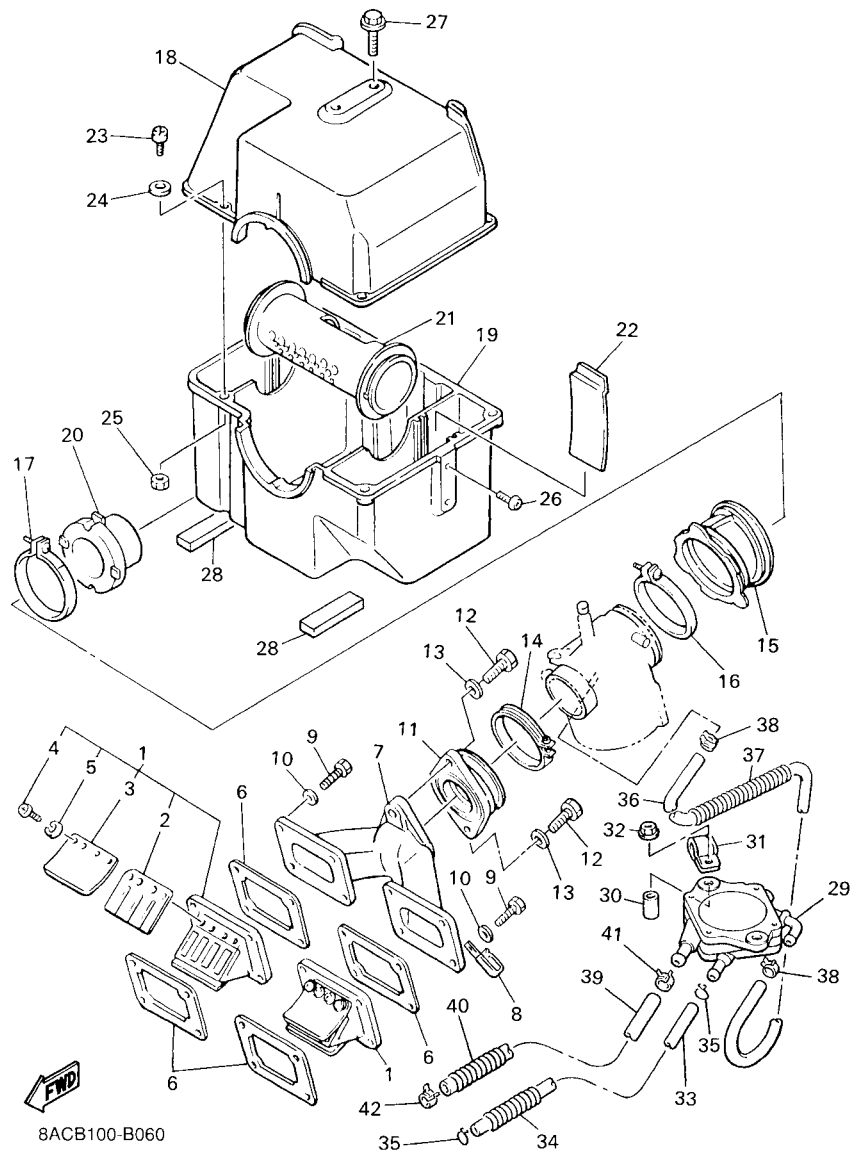


FIG. 6 INTAKE

REF. NO.	PART NO.	DESCRIPTION	EUR	RUS	JPN	REMARKS
1	8AT-13610-00	REED VALVE ASSY	2	2	2	
2	8AT-13613-00	.REED, VALVE	2	2	2	
3	8H8-13616-00	.STOPPER, REED VALVE	2	2	2	
4	98502-03008	.SCREW, PAN HEAD	8	8	8	
5	92902-03100	.WASHER	8	8	8	
6	8Y7-13556-01	GASKET, MANIFOLD	4	4	4	
7	83R-13565-00	JOINT, CARBURETOR	1	1	1	
8	90465-08277	CLAMP	1	1	1	
9	97027-06025	BOLT, HEXAGON	8	8	8	
10	92907-06600	WASHER, PLATE	8	8	8	
11	8G8-13555-01	MANIFOLD, INTAKE	1	1	1	
12	97007-08025	BOLT	2	2	2	
13	92907-08600	WASHER, PLATE	2	2	2	
14	90460-56073	CLAMP, HOSE	1	1	1	
15	83R-14453-00	JOINT, AIR CLEANER 1	1	1	1	
16	90460-68230	CLAMP, HOSE	1	1	1	
17	90450-99050	HOSE CLAMP ASSY	1	1	1	
18	8H8-14431-00	SILENCER, INTAKE 1	1	1	1	
19	8H8-14441-00	SILENCER, INTAKE 2	1	1	1	
20	83R-14465-00	PIPE	1	1	1	
21	8H8-14466-00	PIPE	1	1	1	
22	8H8-14477-00	PLATE	2	2	2	
23	98507-05016	SCREW, PAN HEAD	5	5	5	
24	92907-05600	WASHER, PLATE	5	5	5	
25	95307-05700	NUT	5	5	5	
26	98507-06010	SCREW, PAN HEAD	2	2	2	
27	90109-065E6	BOLT	2	2	2	

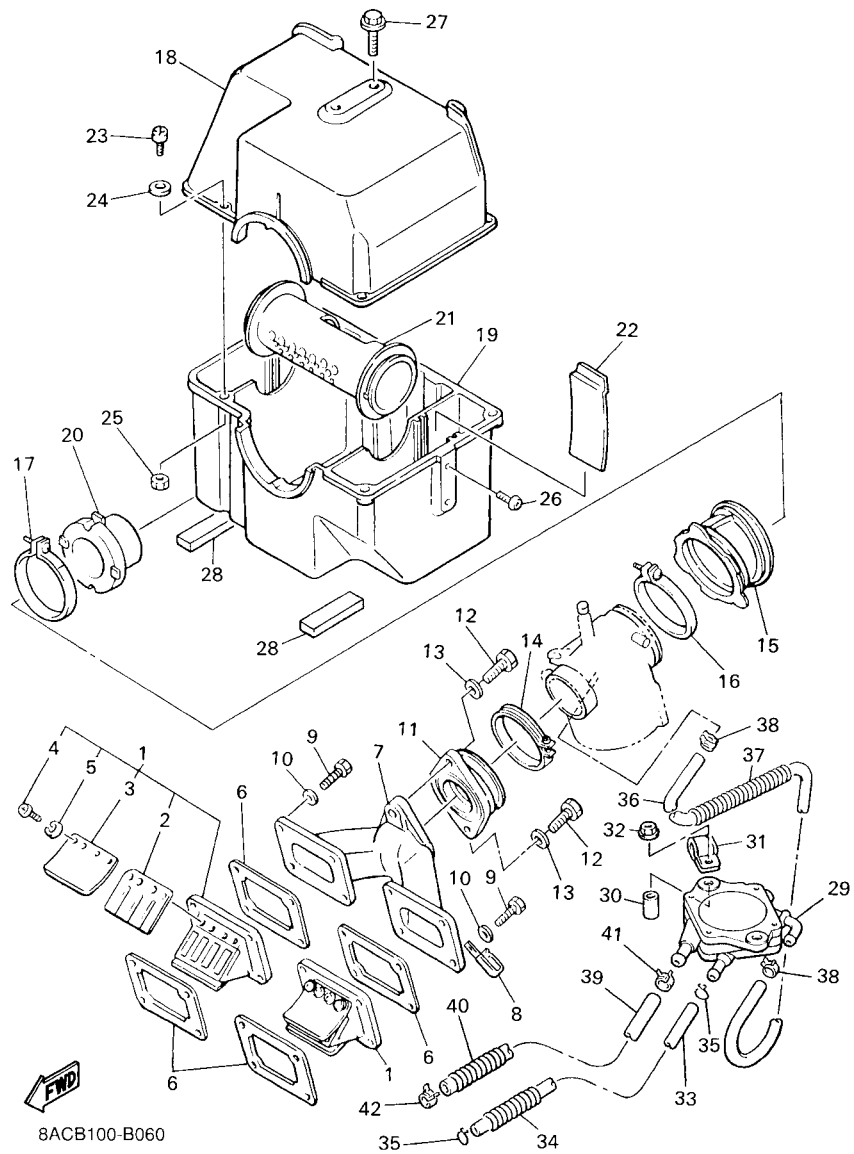
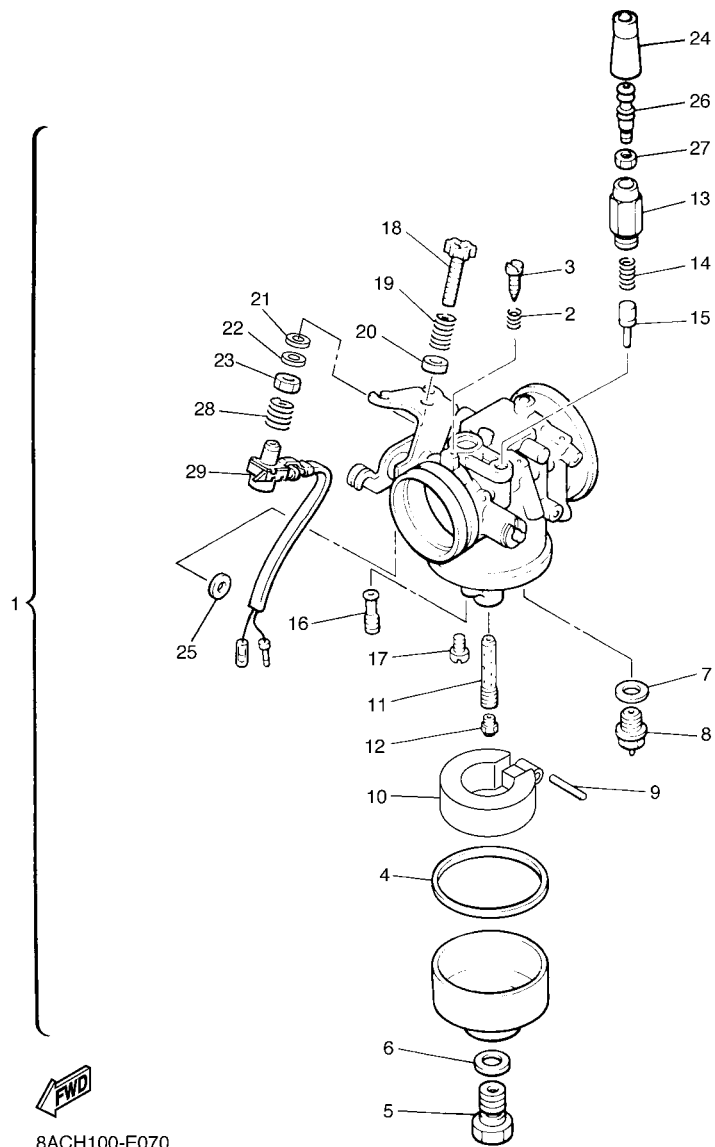


FIG. 6 INTAKE

REF. NO.	PART NO.	DESCRIPTION	EUR	RUS	JPN	REMARKS
28	83R-14425-00	DAMPER 1	2	2	2	
29	8AT-24410-00	FUEL PUMP ASSY	1	1	1	
30	90387-063W4	COLLAR	2	2	2	
31	90465-08316	CLAMP	1	1	1	
32	95707-06500	NUT, FLANGE	2	2	2	
33	90445-11735	HOSE (L320)	1	1	1	
34	90501-084G9	SPRING, COMPRESSION	1	1	1	
35	90467-11032	CLIP	2	2	2	
36	90445-092K1	HOSE (L420)	1	1	1	
37	90501-084J0	SPRING, COMPRESSION	1	1	1	
38	90467-09026	CLIP	2	2	2	
39	90445-114K5	HOSE (L80)	1	1	1	
40	84M-24327-00	PROTECTOR, PIPE	1	1	1	
41	90467-11032	CLIP	1	1	1	
42	90467-11009	CLIP	1	1	1	



8ACH100-E070

FIG. 7 CARBURETOR

REF. NO.	PART NO.	DESCRIPTION	EUR	RUS	JPN	REMARKS
1	84R-14101-02	CARBURETOR ASSY 1	1	1		
	86R-14101-02	CARBURETOR ASSY 1			1	
2	82A-14134-00	.SPRING, AIR ADJUSTING	1	1	1	
3	620-14211-00	.SCREW, PILOT ADJUSTING	1	1	1	
4	8M6-14126-00	.GASKET	1	1	1	
5	8M6-14261-00	.HOLDER	1	1	1	
6	286-14198-00	.GASKET	1	1	1	
7	214-14195-00	.WASHER, NEEDLE VALVE	1	1	1	
8	83R-14190-15	.NEEDLE VALVE ASSY	1	1	1	
9	68V-14186-00	.PIN, FLOAT	1	1		
	8M6-14186-00	.PIN, FLOAT			1	
10	8M6-14185-00	.FLOAT	1	1	1	
11	83R-14941-4E	.NOZZLE, MAIN	1	1	1	
12	3G2-1414E-56	.JET, MAIN (#141.3)	1	1	1	STD
	3G2-14231-77	.JET, MAIN (#132.5)	1	1	1	AP
	3G2-14231-27	.JET, MAIN (#135)	1	1	1	AP
	3G2-14231-78	.JET, MAIN (#137.5)	1	1	1	AP
	3G2-14231-28	.JET, MAIN (#140)	1	1	1	AP
	3G2-14231-79	.JET, MAIN (#142.5)	1	1	1	AP
13	8U9-14174-00	.CAP, PLUNGER	1	1		
	8G8-14174-00	.CAP, PLUNGER			1	
14	127-14135-00	.COIL, SPRING	1	1	1	
15	8G8-14171-00	.PLUNGER, STARTER	1	1	1	
16	193-14142-90	.JET, PILOT (# 90)	1	1	1	STD
	193-1414F-00	.JET, PILOT (# 100)	1	1	1	AP
17	8V0-14118-00	.CAP	2	2	2	
18	89A-14125-00	.SCREW	1	1		

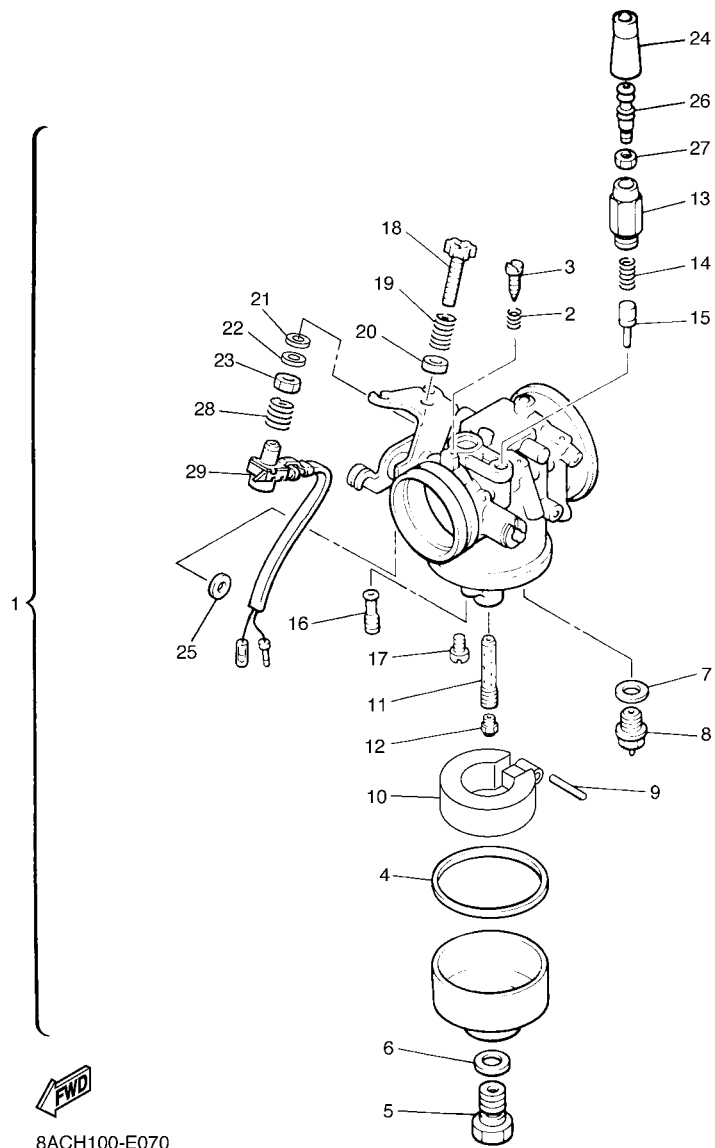
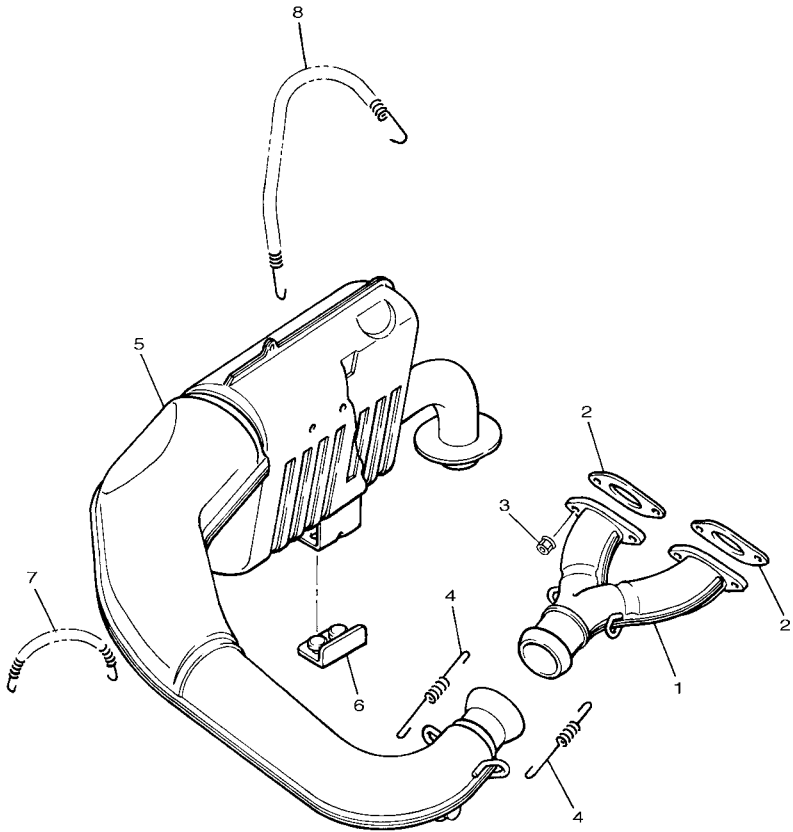


FIG. 7 CARBURETOR

REF. NO.	PART NO.	DESCRIPTION	EUR	RUS	JPN	REMARKS
18	80L-14122-00	.SCREW, THROTTLE			1	
19	2J2-14133-00	.SPRING, THROTTLE STOP	1	1		
	8X0-14500-00	.SPRING			1	
20	89A-14265-00	.COLLAR	1	1		
	8X0-14184-00	.RING			1	
21	22F-14117-00	.WASHER, PLUG SCREW	1	1	1	
22	1UF-14952-00	.WASHER	1	1	1	
23	8X0-14358-00	.NUT	1	1	1	
24	8A7-14169-00	.CAP	1	1	1	
25	80L-14227-00	.WASHER	1	1	1	
26	127-14124-20	.SCREW, CABLE ADJUSTING	1	1	1	
27	802-14161-00	.NUT, CABLE ADJUSTING	1	1	1	
28	89A-24529-00	.SPRING	1	1		
	8X0-14133-00	.SPRING, THROTTLE STOP			1	
29	87S-8259A-01	.SWITCH, CARBURETOR	1	1	1	

FIG. 8 EXHAUST

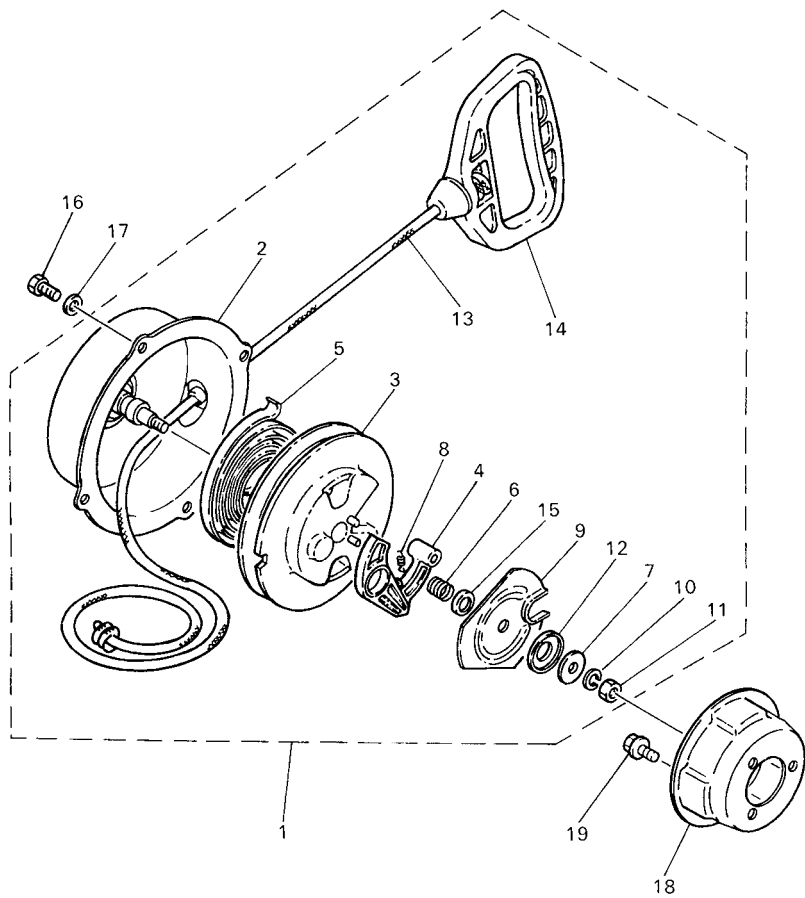
REF. NO.	PART NO.	DESCRIPTION	EUR	RUS	JPN	REMARKS
1	8K4-14610-00	EXHAUST PIPE ASSY 1	1	1	1	
2	82M-14613-01	GASKET, EXHAUST PIPE	2	2	2	
3	95602-08200	NUT, SELF-LOCKING	4	4	4	
4	90506-20272	SPRING, TENSION	2	2	2	
5	83R-14710-04	MUFFLER ASSY 1	1	1	1	
6	83R-14728-01	PROTECTOR, MUFFLER 2	1	1	1	
7	90507-16045	SPRING, TENSION	1	1	1	
8	90507-16046	SPRING, TENSION	1	1	1	



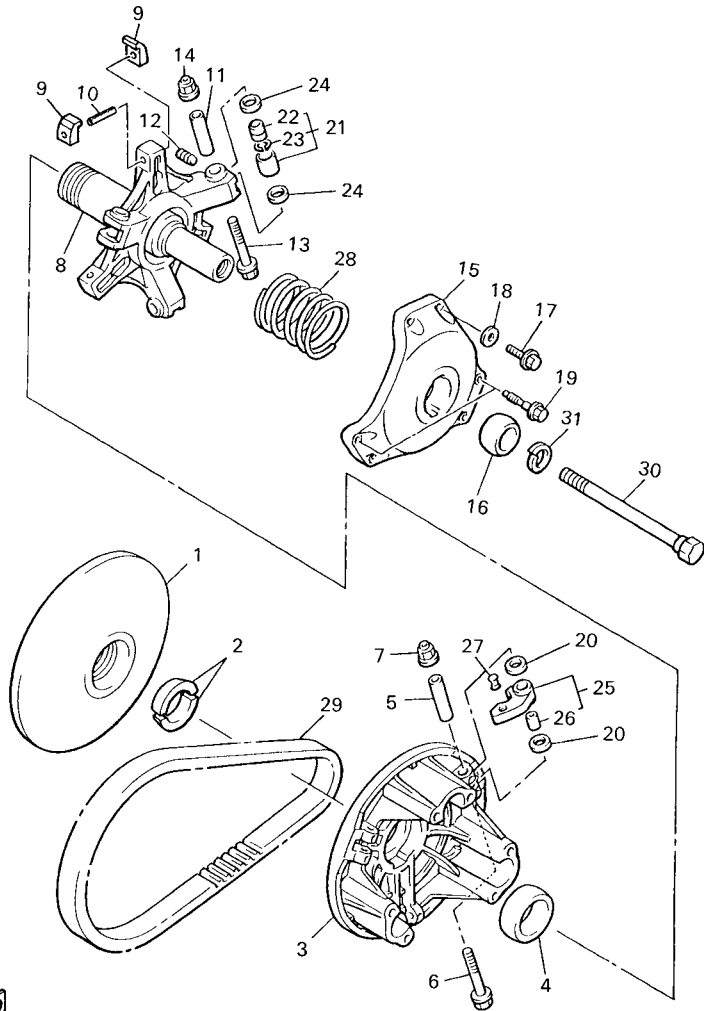

8ACP300-H080

FIG. 10 STARTER

REF. NO.	PART NO.	DESCRIPTION	EUR	RUS	JPN	REMARKS
1	8H8-15710-00	STARTER ASSY	1	1	1	
2	8H8-15711-00	.CASE, STARTER	1	1	1	
3	8F3-15714-01	.DRUM, SHEAVE	1	1	1	
4	8F3-15741-01	.PAWL, DRIVE	1	1	1	
5	8F3-15713-01	.SPRING, STARTER	1	1	1	
6	8F3-15715-00	.SPRING, FRICTION	1	1	1	
7	8F3-15739-01	.WASHER, THRUST	1	1	1	
8	8F3-15734-00	.SPRING, RETURN	1	1	1	
9	8F3-15716-03	.PLATE, DRIVE	1	1	1	
10	92901-06100	.WASHER, SPRING	1	1	1	
11	95301-06700	.NUT	1	1	1	
12	8G5-15739-00	.WASHER, THRUST	1	1	1	
13	8F3-15751-00	.WIRE, STARTER	1	1	1	
14	8F3-15755-00	.HANDLE, STARTER	1	1	1	
15	8G5-15716-00	.COLLAR	1	1	1	
16	97007-06014	BOLT	4	4	4	
17	92907-06600	WASHER, PLATE	4	4	4	
18	8H8-15723-01	PULLEY, STARTER	1	1	1	
19	95827-08016	BOLT, FLANGE	3	3	3	



8AC3100-6110



8AC6100-9110

FIG. 11 PRIMARY SHEAVE

REF. NO.	PART NO.	DESCRIPTION	EUR	RUS	JPN	REMARKS
1	88R-17611-02	SHEAVE, PRIMARY FIXED	1	1	1	
2	8V0-17639-00	STOPPER	2	2	2	
3	89F-17621-00	SHEAVE, PRIMARY SLIDING	1	1	1	
4	90389-41031	BUSH	1	1	1	
5	90387-0501R	COLLAR	3	3	3	
6	90105-05644	BOLT, FLANGE	3	3	3	
7	95607-05200	NUT, U FLANGE	3	3	3	
8	8BW-17640-11	SPIDER COMPLETE	1	1	1	
9	8BW-17653-00	SLIDER	6	6	6	
10	91609-50032	PIN, SPRING	3	3	3	
11	90387-0501R	COLLAR	3	3	3	
12	90113-05053	BOLT, SET	6	6	6	
13	90105-05644	BOLT, FLANGE	3	3	3	
14	95607-05200	NUT, U FLANGE	3	3	3	
15	88R-17631-01	CAP	1	1	1	
16	90389-28032	BUSH	1	1	1	
17	97017-06030	BOLT	4	4	4	
18	92907-06600	WASHER, PLATE	4	4	4	
19	90109-066F4	BOLT	2	2	2	
20	90202-08204	WASHER, PLATE	6	6	6	
21	88R-17624-01	ROLLER, COMP	3	3	3	
22	90386-08183	.BUSH	1	1	1	
23	93450-13133	.CIRCLIP	1	1	1	
24	90202-08204	WASHER, PLATE	6	6	6	
25	8AT-17605-00	WEIGHT COMP	3	3	3	
26	90386-08182	.BUSH	1	1	1	
27	90261-06019	RIVET, COUNTERSUNK (ST13.3MM)	3	3	3	STD



8AC6100-9120

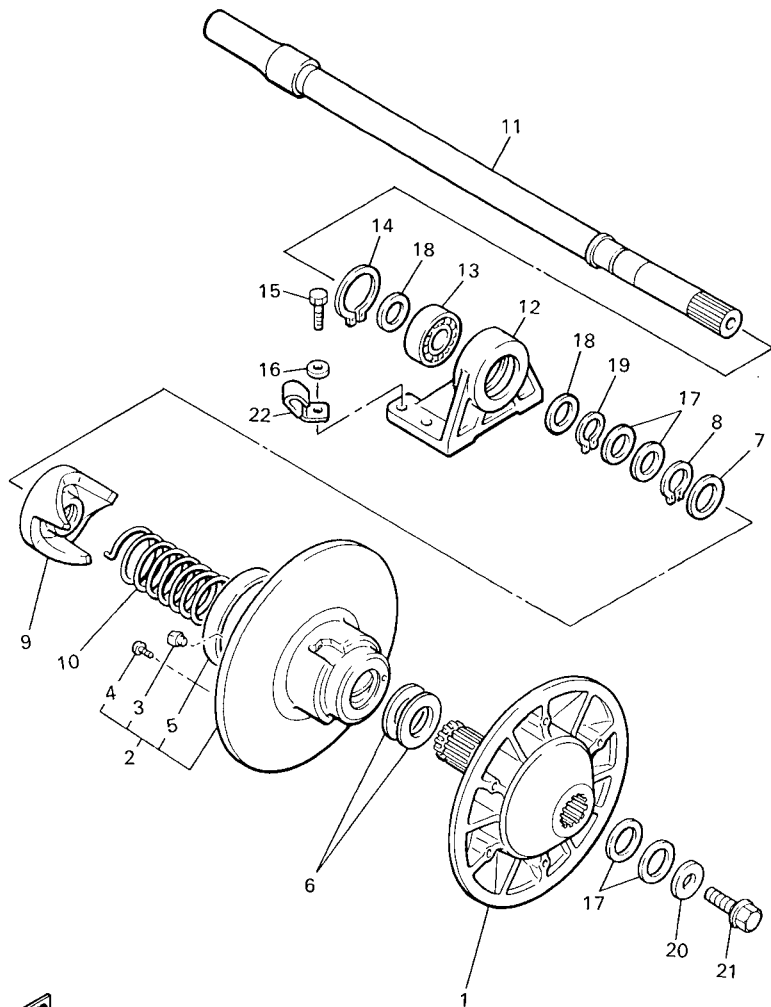


FIG. 12 SECONDARY SHEAVE

REF. NO.	PART NO.	DESCRIPTION	EUR	RUS	JPN	REMARKS
1	88R-17660-03	SECONDARY FIXED SHEAVE COMP.	1	1	1	
2	8AT-17670-01	SECONDARY SLIDING SHEAVE	1	1	1	
3	8X6-17688-00	.SHOE, RAMP	3	3	3	
4	90154-06062	.SCREW, BINDING	3	3	3	
5	90384-90081	.BUSH, BIMETAL FORMED	1	1	1	
6	90201-345G2	WASHER, PLATE	2	2	2	
7	90214-29060	WASHER, CLAW	1	1	1	
8	93440-34170	CIRCLIP	1	1	1	
9	8AT-17684-01	SEAT, SECONDARY SPRING	1	1	1	
10	90508-50746	SPRING, TORSION	1	1	1	
11	88N-17680-02	SECONDARY SHAFT COMP.	1	1	1	
12	88N-47631-00	HOUSING, BEARING	1	1	1	
13	93306-20582	BEARING	1	1	1	
14	99009-52500	CIRCLIP	1	1	1	
15	97027-08020	BOLT, HEXAGON	4	4	4	
16	92907-08600	WASHER, PLATE	4	4	4	
17	90201-252F1	WASHER, PLATE (T0.5)	1	1	1	UR UN
	90201-25527	WASHER, PLATE (T1.0)	2	2	2	UR UN
	90201-25526	WASHER, PLATE (T2.0)	2	2	2	UR UN
18	90201-257J2	WASHER, PLATE	2	2	2	
19	93410-25017	CIRCLIP	1	1	1	
20	90201-104A7	WASHER, PLATE	1	1	1	
21	95817-10020	BOLT, FLANGE	1	1	1	
22	90465-08316	CLAMP	1	1	1	

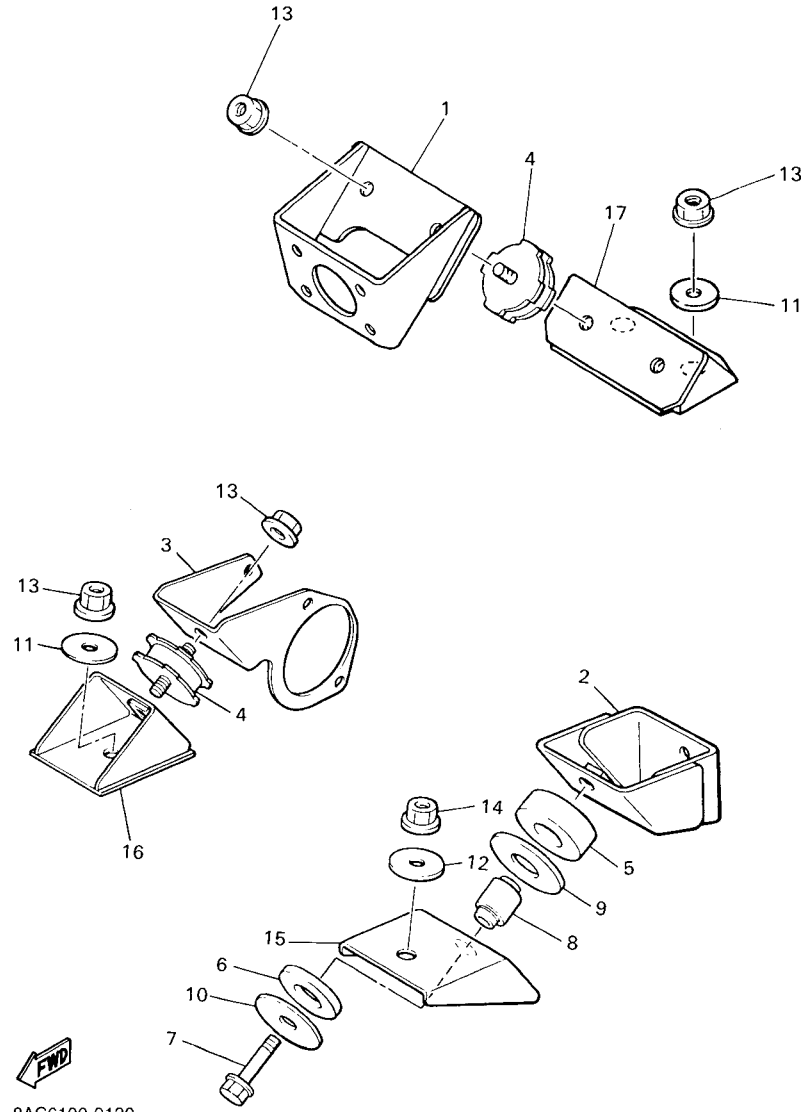
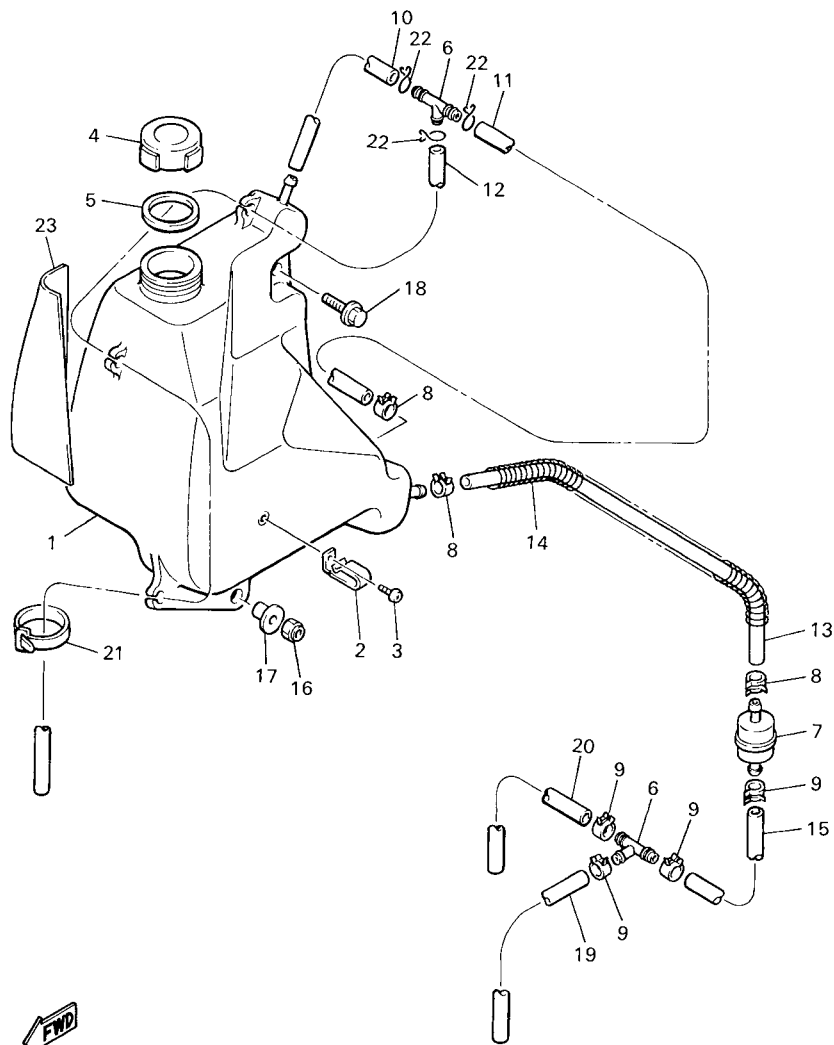


FIG. 13 ENGINE BRACKET

REF. NO.	PART NO.	DESCRIPTION	EUR	RUS	JPN	REMARKS
1	8H8-21411-01	BRACKET, ENGINE 1	1	1	1	
2	83R-21419-00	BRACKET, ENGINE 2	1	1	1	
3	8H8-21429-01	BRACKET, ENGINE 3	1	1	1	
4	8N7-21486-00	DAMPER 2	3	3	3	
5	8V9-21485-00	DAMPER, RUBBER 1	1	1	1	
6	8V9-21486-00	DAMPER 2	1	1	1	
7	95817-10045	BOLT, FLANGE	1	1	1	
8	90380-10129	BUSH, SOLID	1	1	1	
9	90201-257G7	WASHER, PLATE	1	1	1	
10	90201-107G8	WASHER, PLATE	1	1	1	
11	90201-10321	WASHER, PLATE	3	3	3	
12	90201-12317	WASHER, PLATE	1	1	1	
13	95707-10500	NUT, FLANGE	6	6	6	
14	95707-12500	NUT, FLANGE	1	1	1	
15	8AT-21417-00	BRACKET, FRONT LOWER 1	1	1	1	
16	8H8-21418-01	BRACKET, FRONT LOWER 2	1	1	1	
17	8H8-21427-00	BRACKET, REAR LOWER 1	1	1	1	



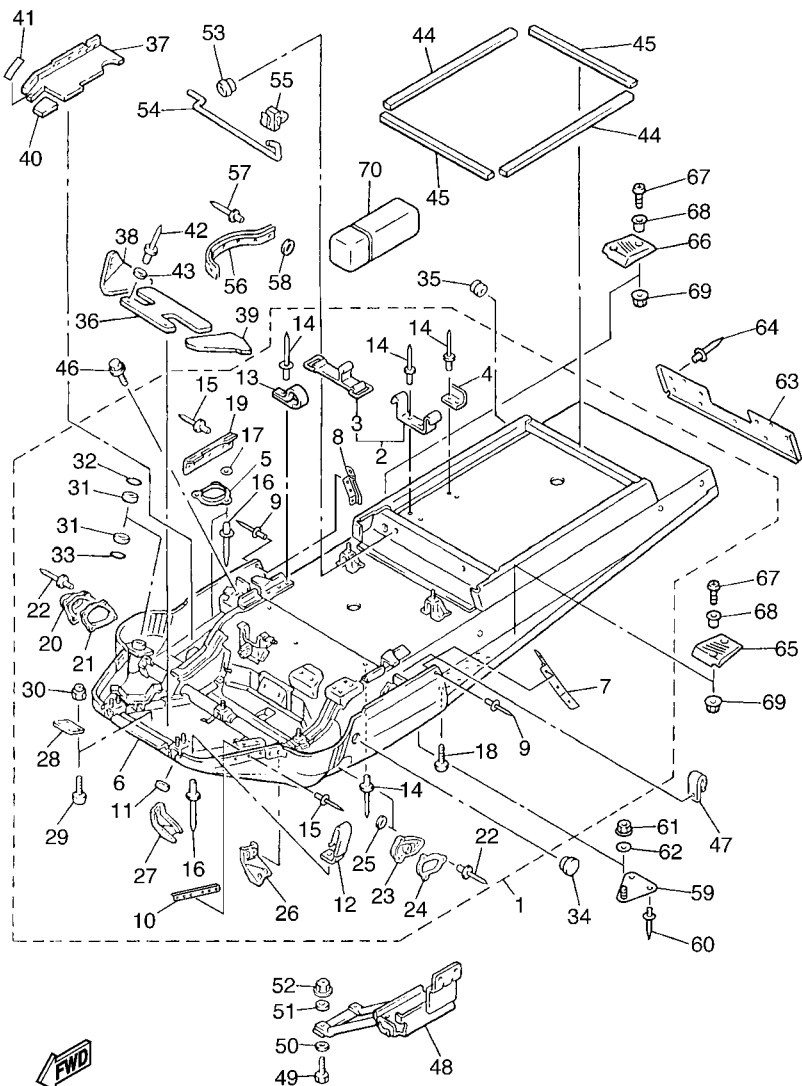
8AC6100-9140

FIG. 14 OIL TANK

REF. NO.	PART NO.	DESCRIPTION	EUR	RUS	JPN	REMARKS
1	83R-21751-00	TANK, OIL	1	1	1	
2	90462-10209	CLAMP	1	1	1	
3	98907-06010	SCREW, BIND	1	1	1	
4	863-21771-00	BODY, CAP	1	1	1	
5	90430-31003	GASKET	1	1	1	
6	801-24376-00	PIPE, JOINT 1	2	2	2	
7	8G8-13410-00	STRAINER HOUSING ASSY	1	1	1	
8	90467-11032	CLIP	2	2	2	
9	90467-09026	CLIP	4	4	4	
10	91A30-05010	TUBE, FLEXIBLE VINYL	1	1	1	
11	91A30-05120	TUBE, FLEXIBLE VINYL	1	1	1	
12	91A30-05085	TUBE, FLEXIBLE VINYL	1	1	1	
13	91A30-07016	TUBE, FLEXIBLE VINYL	1	1	1	
14	84M-24327-00	PROTECTOR, PIPE	1	1	1	
15	91A30-05004	TUBE, FLEXIBLE VINYL	1	1	1	
16	95607-06100	NUT, U	1	1	1	
17	90387-061U9	COLLAR	2	2	2	
18	95807-06016	BOLT, FLANGE	1	1	1	
19	91A30-05052	TUBE, FLEXIBLE VINYL	1	1	1	
20	91A30-05060	TUBE, FLEXIBLE VINYL	1	1	1	
21	90464-16061	CLAMP	1	1	1	
22	90467-08017	CLIP	3	3	3	
23	8AT-21747-00	DAMPER	1	1	1	

FIG. 15 FRAME

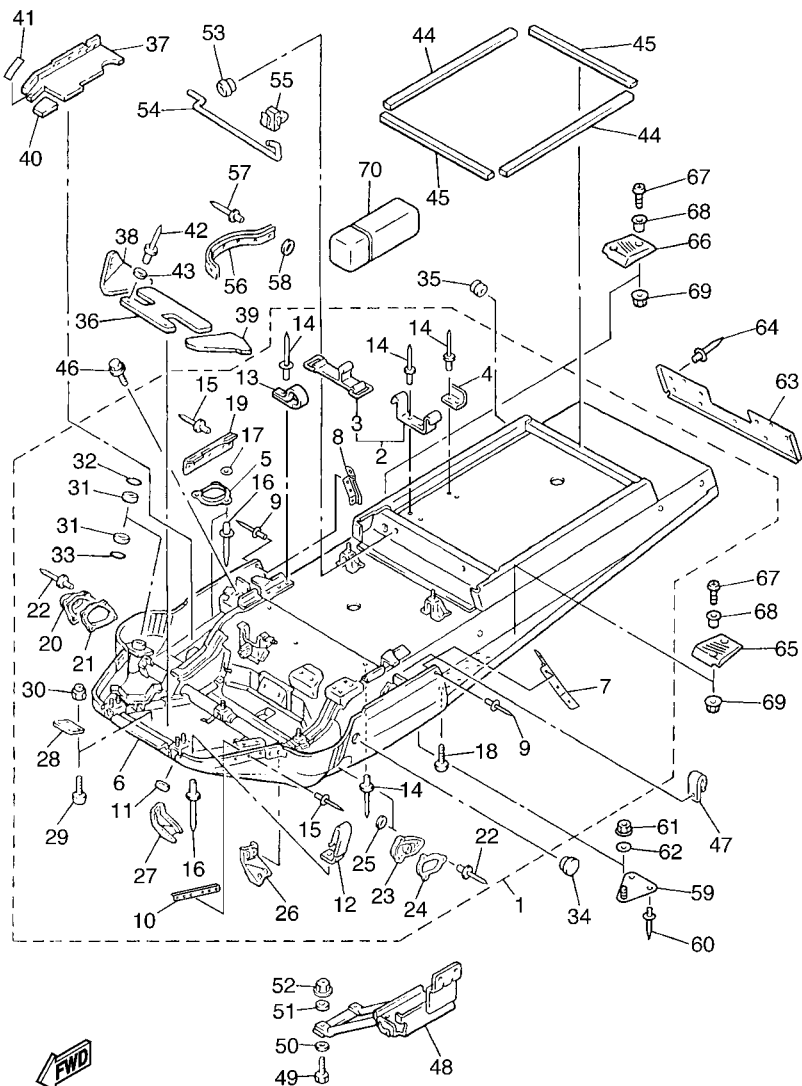
REF. NO.	PART NO.	DESCRIPTION	EUR	RUS	JPN	REMARKS
1	8AC-21910-01	FRAME COMP.	1	1	1	
2	81E-21945-00	.BRACKET, TOOL BOX FITTING	1	1	1	
3	4J2-82131-01	..BAND, BATTERY	1	1	1	
4	83R-21955-00	.BRACKET, TOOL BOX FITTING	1	1	1	
5	83R-2198F-00	.COVER 1	1	1	1	
6	8AC-21912-00	.PANEL, SUB FRAME 1	1	1	1	
7	83R-21986-00	.REINFORCEMENT, FRAME 1	1	1	1	
8	83R-21987-00	.REINFORCEMENT, FRAME 2	1	1	1	
9	90267-49152	.RIVET, BLIND (4.9X16.1)	6	6	6	
10	8AC-21965-00	.PATCH 5	2	2	2	
11	90387-081R2	.COLLAR	2	2	2	
12	90465-08368	.CLAMP	5	5	5	
13	90462-05059	.CLAMP	1	1	1	
14	90267-48060	.RIVET,BLIND (4.8X12.9 BLACK)	40	40	40	
15	90267-48051	.RIVET, BLIND (4.8X18.7 BLACK)	14	14	14	
16	90267-48018	.RIVET, BLIND (4.8X18.6 BLACK)	42	42	42	
17	90201-04325	.WASHER, PLATE	3	3	3	
18	98907-06016	.SCREW, BIND	4	4	4	
19	8AT-77527-01	.PLATE, BACK UP	2	2	2	
20	8AT-23818-00	.COVER, STEERING	1	1	1	
21	8AT-77526-00	.WASHER 2	1	1	1	
22	90267-40029	.RIVET, BLIND (4X18 BLACK)	7	7	7	
23	8M6-2198F-00	.COVER 1	1	1	1	
24	8M6-21998-00	.SPACER	1	1	1	
25	90201-043H5	.WASHER, PLATE	3	3	3	
26	8AT-2194Y-00	.BRACKET, FRONT GUARD 3	1	1	1	
27	8AT-2195Y-00	.BRACKET, FRONT GUARD 4	1	1	1	



8ACL100-G150

FIG. 15 FRAME

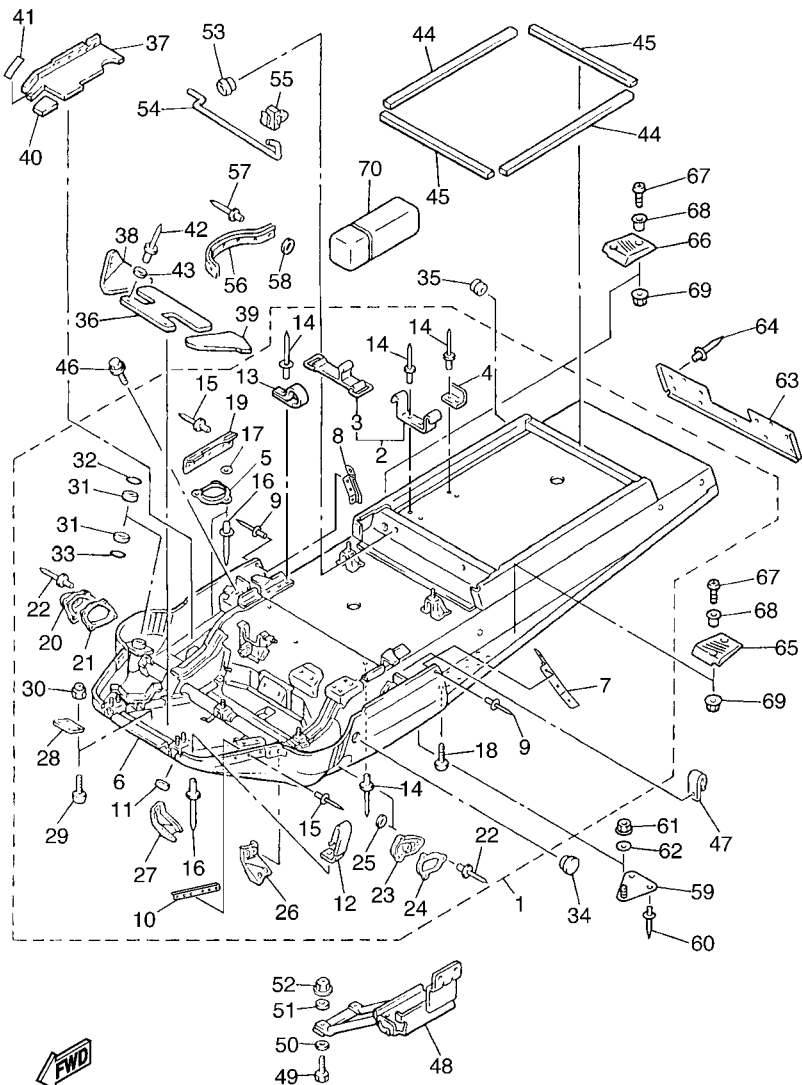
REF. NO.	PART NO.	DESCRIPTION	EUR	RUS	JPN	REMARKS
28	89X-21917-00	.PANEL, SUB FRAME 6	2	2	2	
29	98907-05014	.SCREW, BIND	8	8	8	
30	95707-05300	.NUT, FLANGE	8	8	8	
31	90384-36134	.BUSH, BIMETAL FORMED	4	4	4	
32	93102-36232	.OIL SEAL	2	2	2	
33	93103-36117	.OIL SEAL	2	2	2	
34	90338-44093	PLUG	3	3	3	
35	90480-15061	GROMMET	1	1	1	
36	8AT-77271-00	DAMPER, NOISE 11	1	1	1	
37	8AC-77272-00	DAMPER, NOISE 12	1	1	1	
38	8AT-77273-10	DAMPER, NOISE 13	1	1	1	
39	8AT-77274-00	DAMPER, NOISE 14	1	1	1	
40	8AT-77275-00	DAMPER, NOISE 15	1	1	1	
41	8CR-77165-00	TRIM 1	1	1	1	
42	90267-48018	RIVET, BLIND (4.8X18.6 BLACK)	2	2	2	
43	90201-04325	WASHER, PLATE	2	2	2	
44	83R-7717E-00	TAPE 1	2	2	2	
45	83R-7717F-00	TAPE 2	2	2	2	
46	95807-06012	BOLT, FLANGE	4	4	4	
47	90465-08125	CLAMP	1	1	1	
48	8AT-2199G-01	BRACKET, BATTERY	1	1	1	
49	97027-06025	BOLT, HEXAGON	2	2	2	
50	90201-06778	WASHER, PLATE	2	2	2	
51	90201-063A5	WASHER, PLATE	2	2	2	
52	95707-06300	NUT, NYLON	2	2	2	
53	90480-10348	GROMMET	1	1	1	
54	85R-2471A-00	STAY, SEAT	1	1	1	



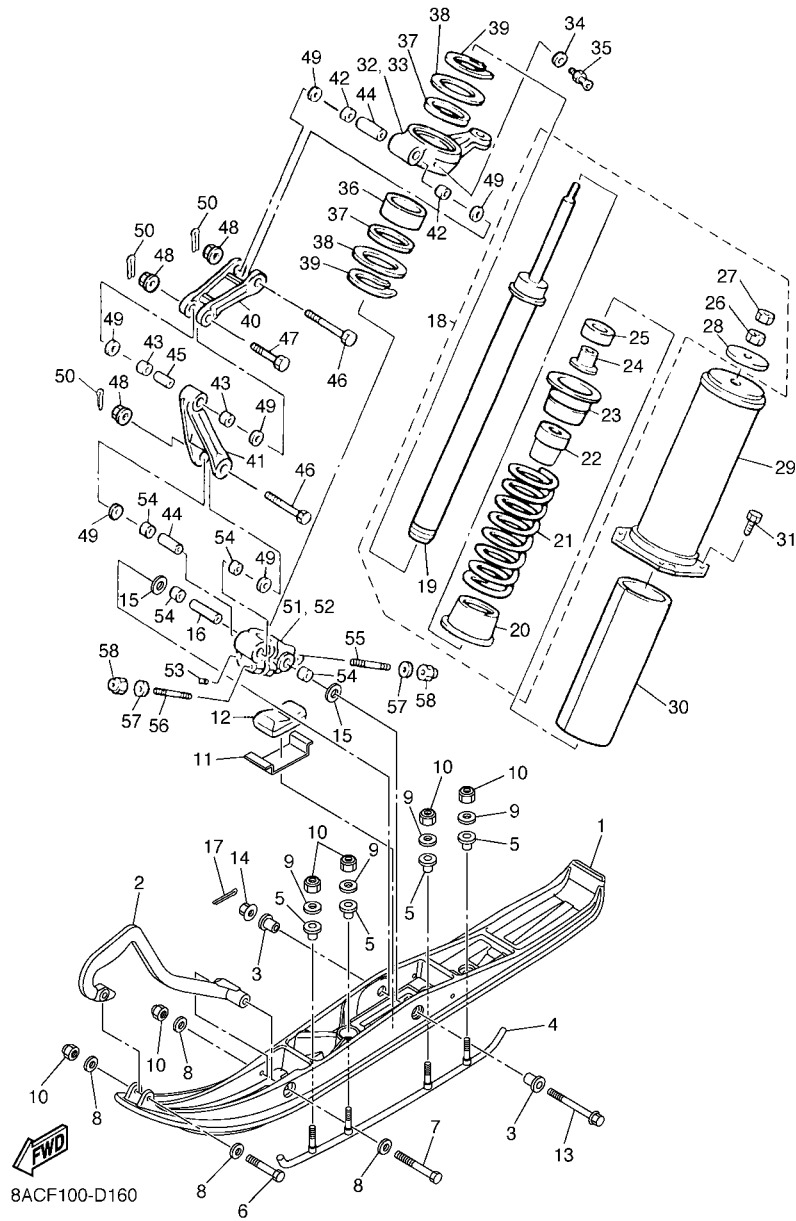
8ACL100-G150

FIG. 15 FRAME

REF. NO.	PART NO.	DESCRIPTION	EUR	RUS	JPN	REMARKS
55	85R-2639F-00	HOLDER 2	1	1	1	
56	8AT-2196T-00	TRIM 1	2	2	2	
57	90267-40172	RIVET, BLIND (4X19)	12	12	12	
58	90201-042E0	WASHER, PLATE	12	12	12	
59	8AC-2198G-00	COVER 2	1	1	1	
60	90267-47186	RIVET, BLIND (4.7X16.4 BLACK)	2	2	2	
61	95707-06300	NUT, NYLON	1	1	1	
62	90201-067A0	WASHER, PLATE	1	1	1	
63	8AC-21933-00	REINFORCEMENT, FRAME REAR 2	1	1	1	
64	90267-47186	RIVET, BLIND (4.7X16.4 BLACK)	6	6	6	
65	88T-27431-10	FOOTREST, REAR 1	1	1	1	
66	88T-27441-10	FOOTREST, REAR 2	1	1	1	
67	98907-06025	SCREW, BIND	4	4	4	
68	90387-063E6	COLLAR	4	4	4	
69	95707-06500	NUT, FLANGE	4	4	4	
70	85L-28100-00	TOOL KIT	1	1	1	



8ACL100-G150



8ACF100-D160

FIG. 16 SKI

REF. NO.	PART NO.	DESCRIPTION	EUR	RUS	JPN	REMARKS
1	8AC-23711-00	SKI 1	2	2	2	
2	8DM-23712-00	REINFORCEMENT, HEAD	2	2	2	
3	8AC-23754-00	COLLAR, 1	4	4	4	
4	8EN-23731-01	RUNNER 1	2	2	2	
5	8EK-23751-00	BUSH, SKI 1	8	8	8	
6	97027-08055	BOLT, HEXAGON	2	2	2	
7	97027-08100	BOLT, HEXAGON	2	2	2	
8	90201-08784	WASHER, PLATE	8	8	8	
9	90201-086P8	WASHER, PLATE	8	8	8	
10	95707-08300	NUT, NYLON	12	12	12	
11	8AC-23765-00	STOPPER	2	2	2	
12	88T-23743-00	STOPPER 1	2	2	2	
13	90105-10106	BOLT, FLANGE	2	2	2	
14	95607-10200	NUT, U FLANGE	2	2	2	
15	90201-100S7	WASHER, PLATE	4	4	4	
16	90387-106J3	COLLAR	2	2	2	
17	91401-20020	PIN, COTTER	2	2	2	
18	8AC-2376A-00	ABSORBER ASSY 1	2	2	2	
19	8AT-22401-00	.DAMPER SUB ASSY	1	1	1	
20	82M-23777-00	.SEAT, SPRING 2	1	1	1	
21	90501-75612	.SPRING, COMPRESSION	1	1	1	
22	89L-22493-00	.BUMP, STOP	1	1	1	
23	8L0-23788-00	.PLATE, BACK UP	1	1	1	
24	90387-084R1	.COLLAR	1	1	1	
25	82M-23779-00	.WASHER	1	1	1	
26	90170-08220	.NUT	1	1	1	
27	95307-08600	.NUT	1	1	1	

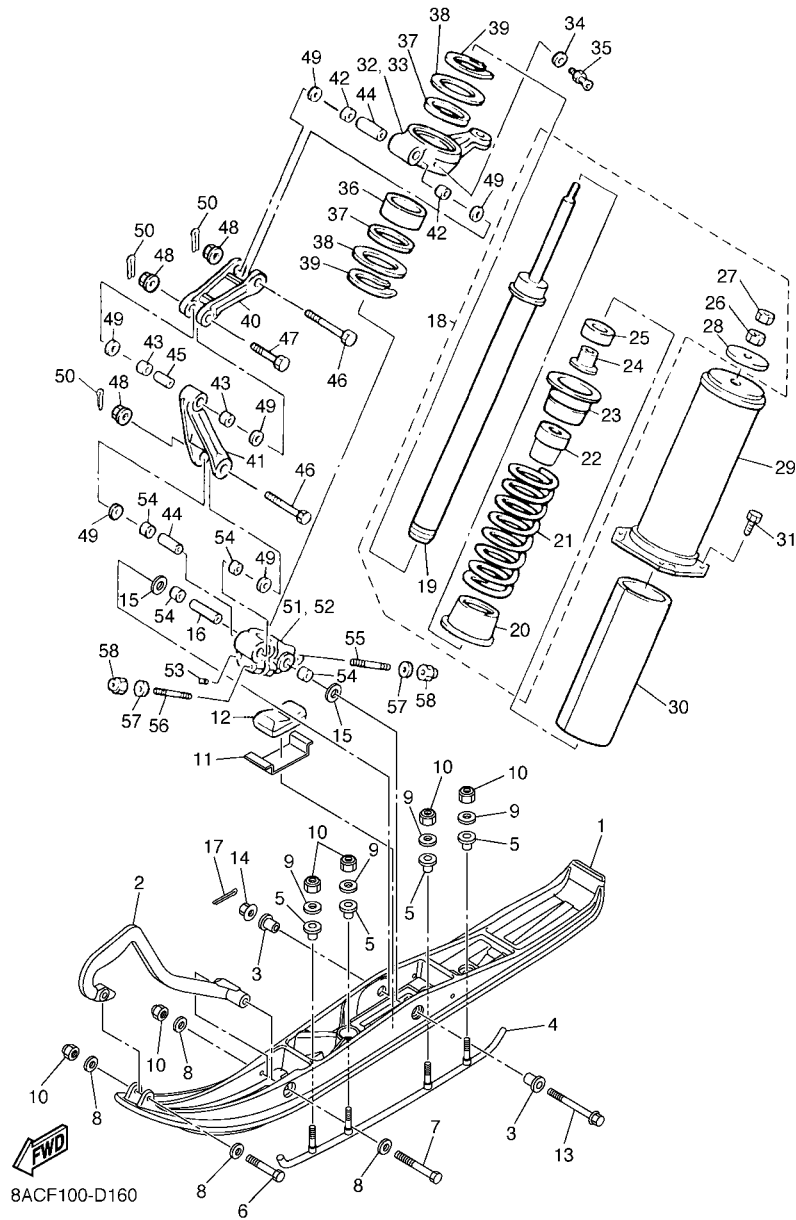


FIG. 16 SKI

REF. NO.	PART NO.	DESCRIPTION	EUR	RUS	JPN	REMARKS
28	90201-080L1	.WASHER, PLATE	1	1	1	
29	8AT-2376J-00	HOLDER, ABSORBER	2	2	2	
30	8L0-2376R-00	PROTECTOR	2	2	2	
31	97027-06020	BOLT, HEXAGON	8	8	8	
32	82M-23851-00	ARM, OUTSIDE 1 (L,H)	1	1	1	
33	8AT-23852-00	ARM, OUTSIDE 2	1	1	1	
34	90201-067F9	WASHER, PLATE	2	2	2	
35	93700-06004	NIPPLE, GREASE	2	2	2	
36	90384-53175	BUSH, BIMETAL FORMED	2	2	2	
37	93109-53036	OIL SEAL	4	4	4	
38	90201-536A1	WASHER, PLATE (T=1.0)	4	4	4	UR UN
	90201-535H6	WASHER, PLATE (T=2.0)	4	4	4	UR UN
39	93410-52061	CIRCLIP	4	4	4	
40	8L0-2382E-01	ARM, FRONT 1	2	2	2	
41	8L0-2382F-00	ARM, FRONT 2	2	2	2	
42	90384-14091	BUSH, BIMETAL FORMED	4	4	4	
43	90384-14096	BUSH, BIMETAL FORMED	4	4	4	
44	90387-101Y9	COLLAR	4	4	4	
45	90387-100A4	COLLAR	2	2	2	
46	90102-10039	BOLT, WITH HOLE	4	4	4	
47	90102-10067	BOLT, WITH HOLE	2	2	2	
48	95707-10300	NUT, FLANGE	6	6	6	
49	90202-14037	WASHER, PLATE	12	12	12	
50	91401-20020	PIN, COTTER	6	6	6	
51	84M-2376E-00	BRACKET 1	1	1	1	(L,H)
52	84M-2377E-00	BRACKET 2	1	1	1	(R,H)
53	90113-06039	BOLT, SET	2	2	2	

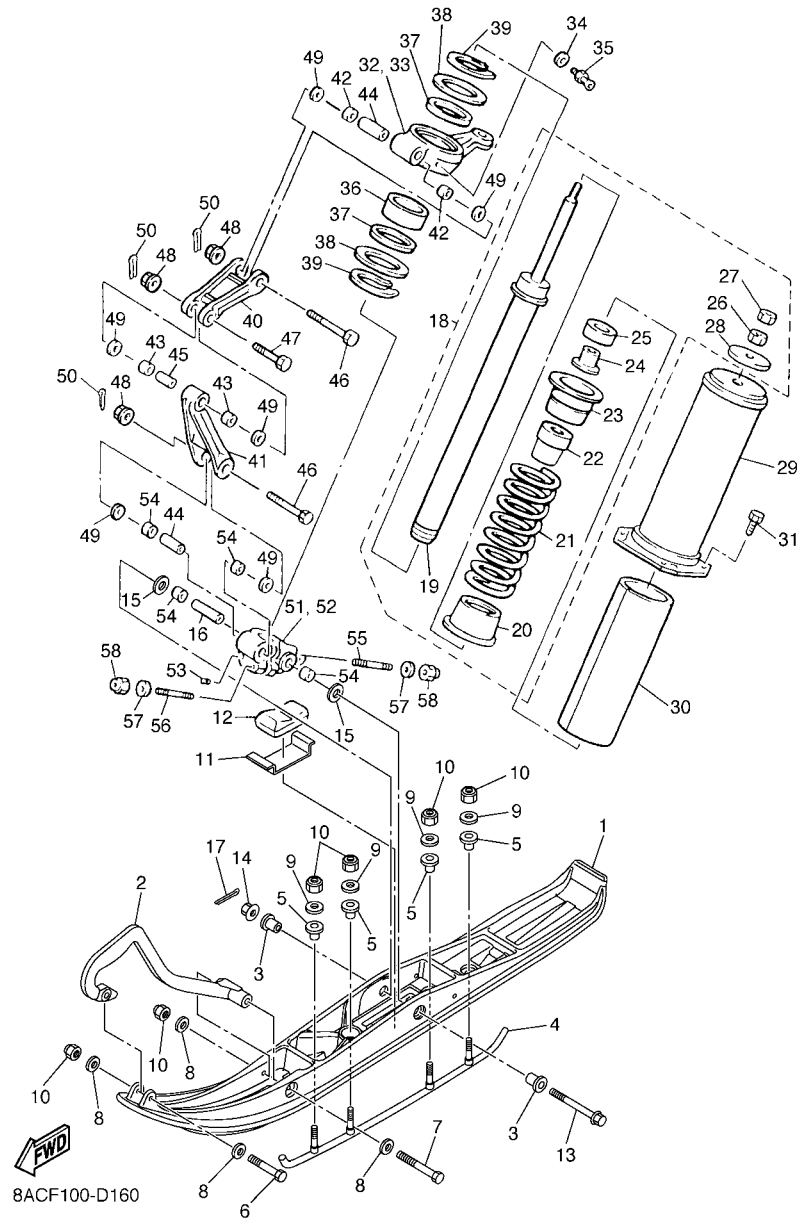
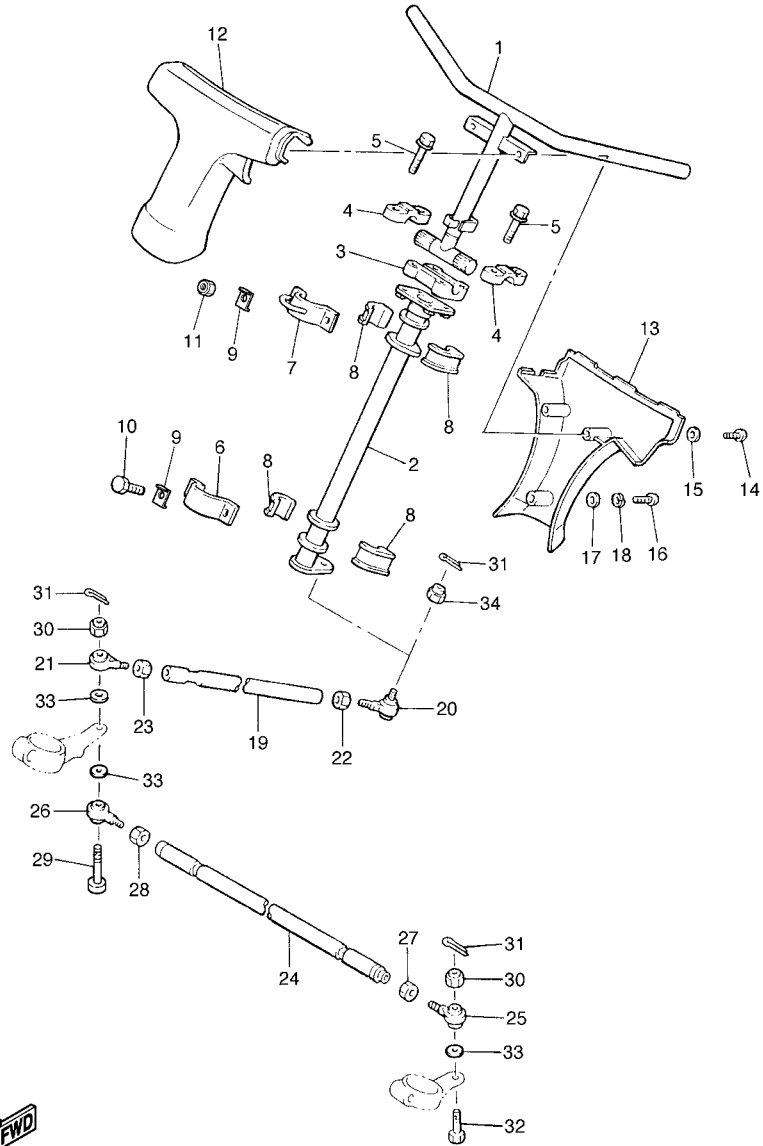


FIG. 16 SKI

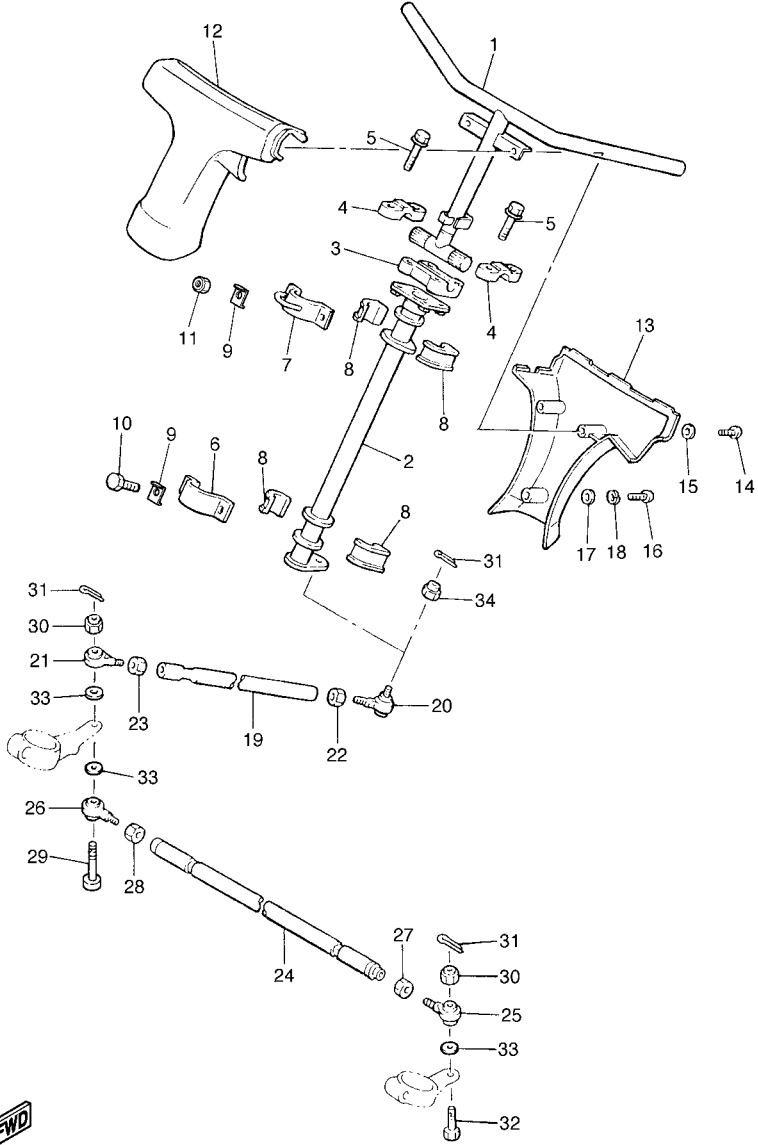
REF. NO.	PART NO.	DESCRIPTION	EUR	RUS	JPN	REMARKS
54	90384-14091	BUSH, BIMETAL FORMED	8	8	8	
55	95617-08655	BOLT, STUD	2	2	2	
56	95617-08640	BOLT, STUD	2	2	2	
57	92907-08600	WASHER, PLATE	4	4	4	
58	95707-08300	NUT, NYLON	4	4	4	



8ACF100-D170

FIG. 17 STEERING

REF. NO.	PART NO.	DESCRIPTION	EUR	RUS	JPN	REMARKS
1	8AU-23811-10	COLUMN, STEERING	1	1	1	
2	8AT-23813-01	COLUMN, STEERING 2	1	1	1	
3	8G5-23814-00	HOLDER,HANDLE UNDER	1	1	1	
4	8K1-23814-00	HOLDER, HANDLE	2	2	2	
5	95827-08055	BOLT, FLANGE	4	4	4	
6	84M-23868-00	BRACKET, STEERING LOWER	1	1	1	
7	84M-23872-00	HOLDER, BEARING	1	1	1	
8	8F3-23812-00	PLANE BEARING, STEERING	4	4	4	
9	8AC-23894-00	WASHER, LOCK 1	4	4	4	
10	90101-08005	BOLT	2	2	2	
11	90185-08054	NUT, SELF-LOCKING	2	2	2	
12	8W9-23815-00	PAD, STEERING	1	1	1	
13	8W9-23817-00	PAD, STEERING	1	1	1	
14	98507-05030	SCREW, PAN HEAD	2	2	2	
15	92907-05600	WASHER, PLATE	2	2	2	
16	98507-05008	SCREW, PAN HEAD	1	1	1	
17	92907-05200	WASHER	1	1	1	
18	92907-05100	WASHER, SPRING	1	1	1	
19	8AT-23821-00	ROD, STEERING RELAY	1	1	1	
20	86X-23841-00	JOINT, UNIVERSAL 1	1	1	1	
21	87S-23847-01	JOINT, UNIVERSAL 3	1	1	1	(L.H. THREAD)
22	95307-10700	NUT	1	1	1	
23	90170-10186	NUT	1	1	1	(L.H. THREAD)
24	8AT-23831-00	ROD, TIE	1	1	1	
25	87S-23845-01	JOINT, UNIVERSAL 2	1	1	1	
26	87S-23847-01	JOINT, UNIVERSAL 3	1	1	1	(L.H. THREAD)
27	95307-10700	NUT	1	1	1	



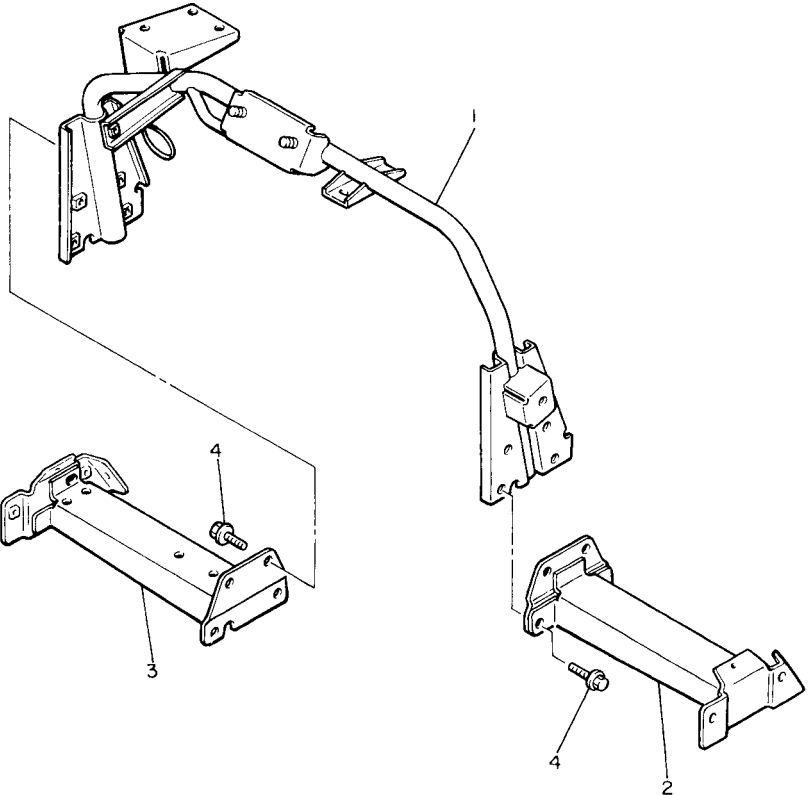
8ACF100-D170

FIG. 17 STEERING

REF. NO.	PART NO.	DESCRIPTION	EUR	RUS	JPN	REMARKS
28	90170-10186	NUT	1	1	1	(L.H. THREAD)
29	90102-10067	BOLT, WITH HOLE	1	1	1	
30	95707-10300	NUT, FLANGE	2	2	2	
31	91401-25020	PIN, COTTER	3	3	3	
32	90102-10044	BOLT, WITH HOLE	1	1	1	
33	90201-08759	WASHER, PLATE	3	3	3	
34	90185-10085	NUT, SELF-LOCKING	1	1	1	

FIG. 18 STEERING GATE

REF. NO.	PART NO.	DESCRIPTION	EUR	RUS	JPN	REMARKS
1	83R-23870-00	STEERING GATE COMP.	1	1	1	
2	8AT-23883-00	BRACKET 3	1	1	1	
3	8AT-23884-00	BRACKET 4	1	1	1	
4	95807-08016	BOLT, FLANGE	8	8	8	



8AU100-3180

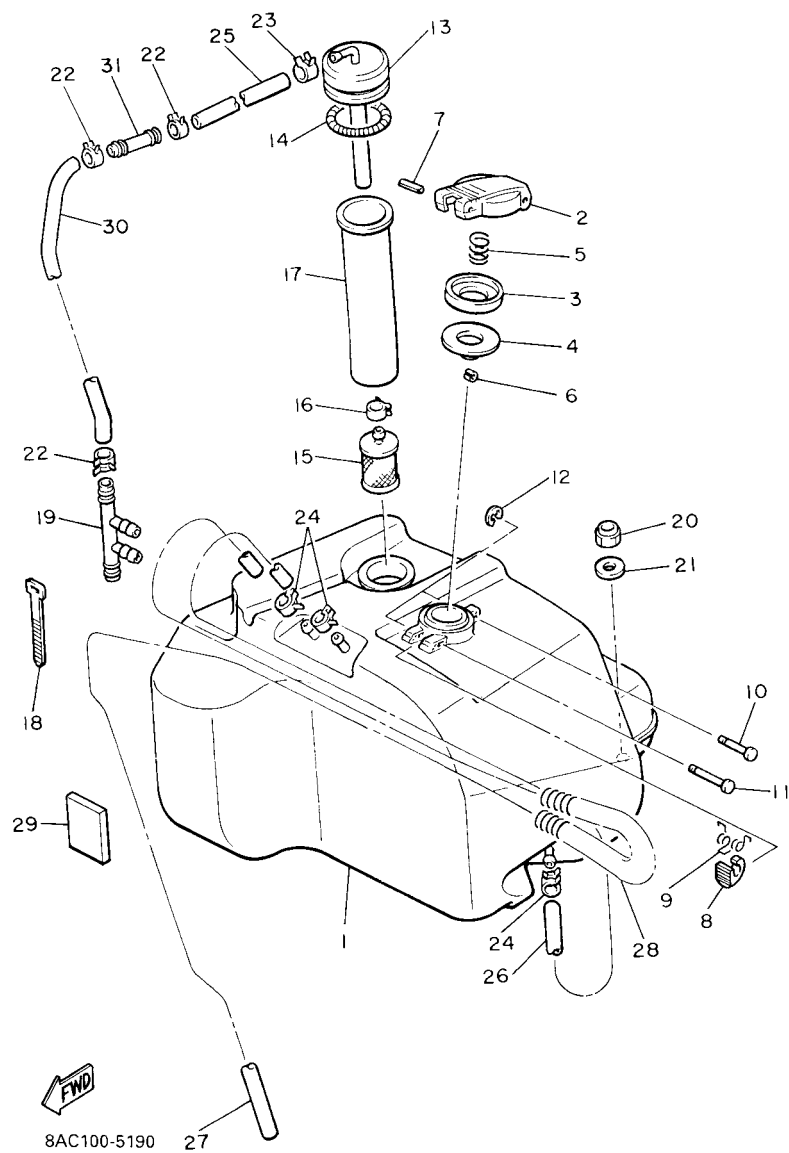


FIG. 19 FUEL TANK

REF. NO.	PART NO.	DESCRIPTION	EUR	RUS	JPN	REMARKS
1	83R-24111-00	TANK, FUEL	1	1	1	
2	8W6-24611-00	BODY, CAP	1	1	1	
3	813-24613-01	DISC, CAP	1	1	1	
4	8F7-24641-00	GASKET, CAP 1	1	1	1	
5	90501-20130	SPRING, COMPRESSION	1	1	1	
6	91609-30016	PIN, SPRING	1	1	1	
7	91609-25050	PIN, SPRING	1	1	1	
8	83M-24628-00	HOOK	1	1	1	
9	90508-10715	SPRING, TORSION	1	1	1	
10	90249-03175	PIN	1	1	1	
11	90249-03017	PIN	1	1	1	
12	93430-02001	CIRCLIP	2	2	2	
13	83R-24335-00	PIPE, SUCTION 1	1	1	1	
14	90506-06065	SPRING, TENSION	1	1	1	
15	8H5-24560-00	FILTER ASSY	1	1	1	
16	90467-11032	CLIP	1	1	1	
17	813-24336-00	PIPE, SUCTION 2	1	1	1	
18	341-26397-01	BAND	5	5	5	
19	82M-24376-00	PIPE, JOINT 1	1	1	1	
20	95707-08300	NUT, NYLON	2	2	2	
21	90201-08784	WASHER, PLATE	2	2	2	
22	90467-11009	CLIP	3	3	3	
23	90467-11032	CLIP	1	1	1	
24	90467-09026	CLIP	3	3	3	
25	90445-115K6	HOSE (L390)	1	1	1	
26	90445-095F1	HOSE (L650)	1	1		
	91A20-05065	TUBE, FLEXIBLE VINYL			1	

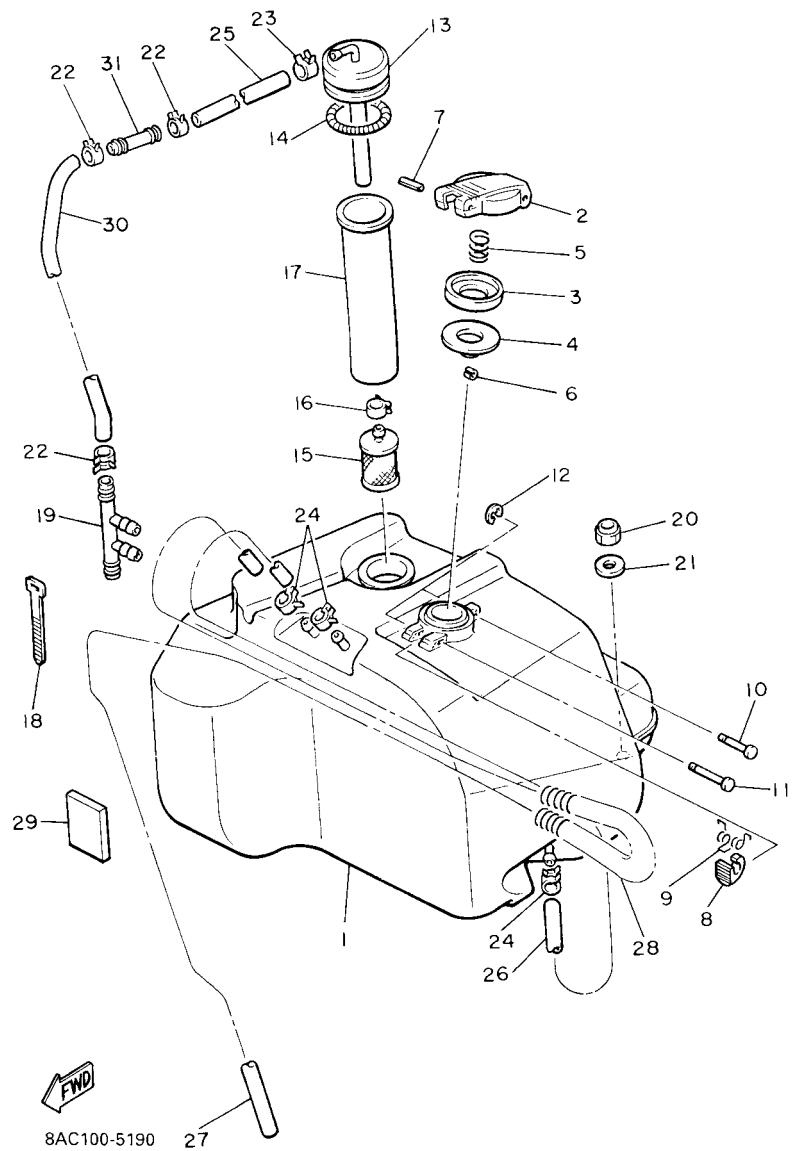
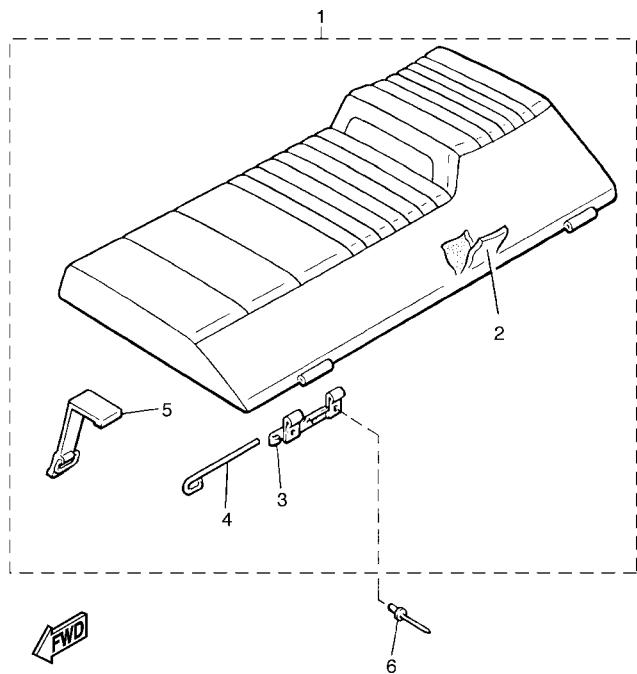
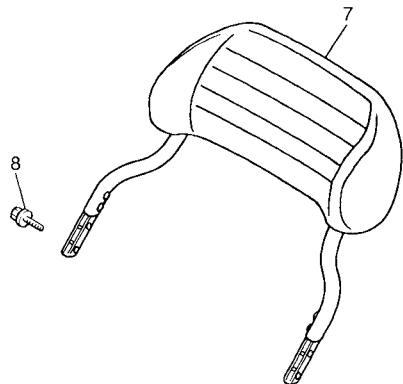


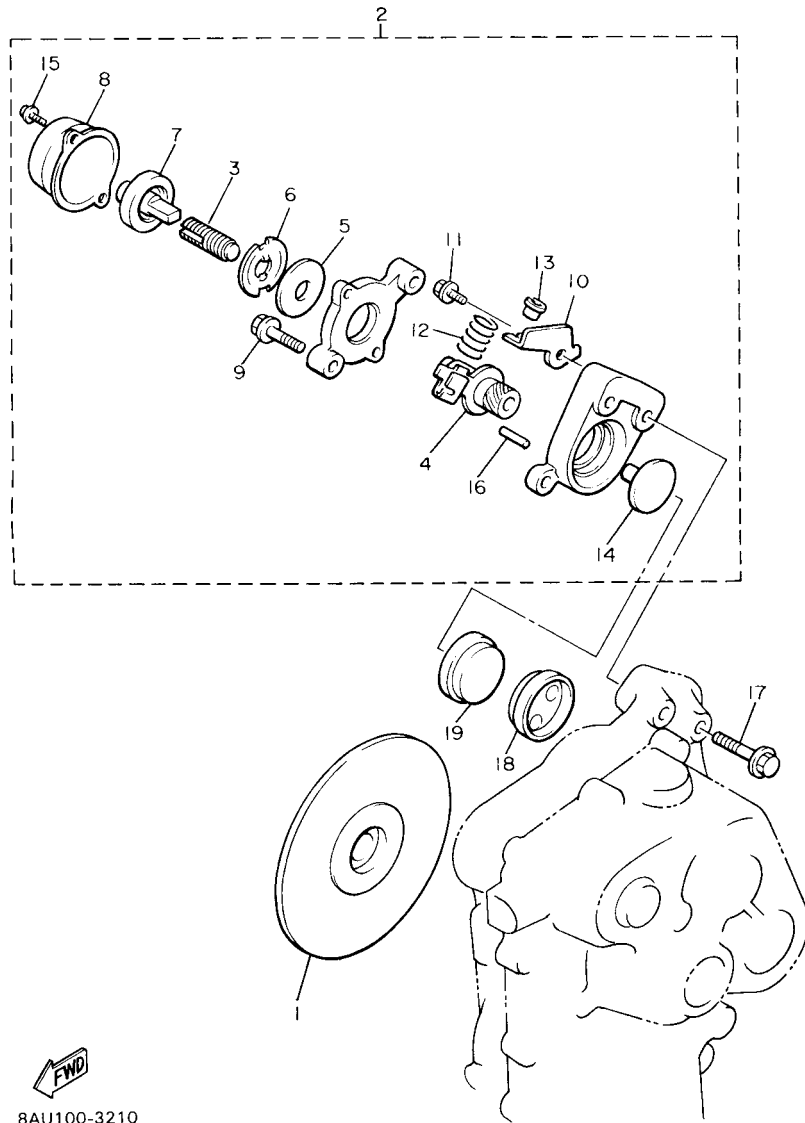
FIG. 19 FUEL TANK

REF. NO.	PART NO.	DESCRIPTION	EUR	RUS	JPN	REMARKS
27	91A20-05145	TUBE, FLEXIBLE VINYL	1	1	1	
28	81E-24328-00	PROTECTOR, PIPE	1	1	1	
29	8V0-23858-00	SPACER	1	1	1	
30	90445-114J9	HOSE (L265)	1	1	1	
31	878-24379-00	PIPE, JOINT 4	1	1	1	

FIG. 20 SEAT



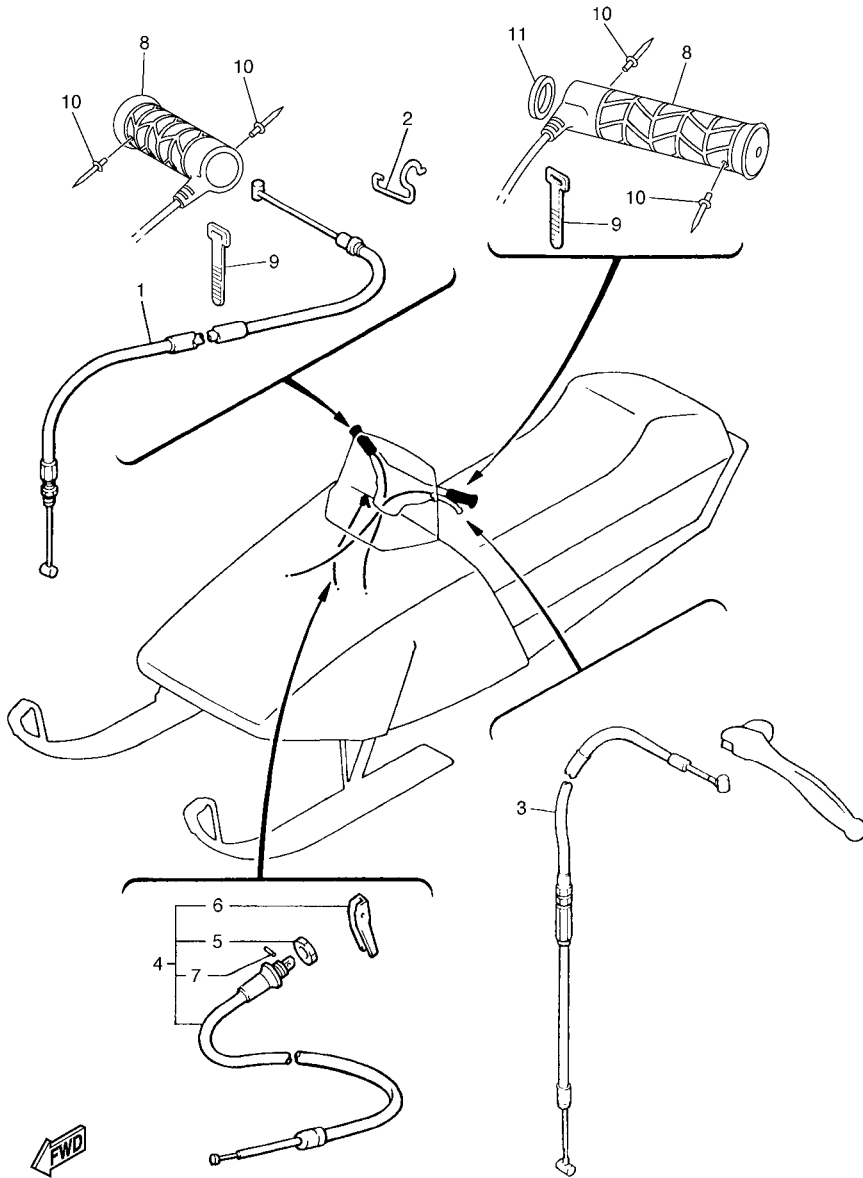
REF. NO.	PART NO.	DESCRIPTION	EUR	RUS	JPN	REMARKS
1	8AC-24730-00	DOUBLE SEAT ASSY	1	1	1	
2	8AC-2470F-00	.SEAT COVER COMP.	1	1	1	
3	83R-24729-00	.SPACER 2	2	2	2	
4	86V-77384-00	.PIN	2	2	2	
5	8AT-24778-00	.BAND, SEAT FITTING	2	2	2	
6	90267-48060	RIVET,BLIND (4.8X12.9 BLACK)	6	6	6	
7	8AC-24790-10	SEAT BACK ASSY	1	1	1	
8	90105-06437	BOLT, FLANGE	4	4	4	



8AU100-3210

FIG. 21 BRAKE

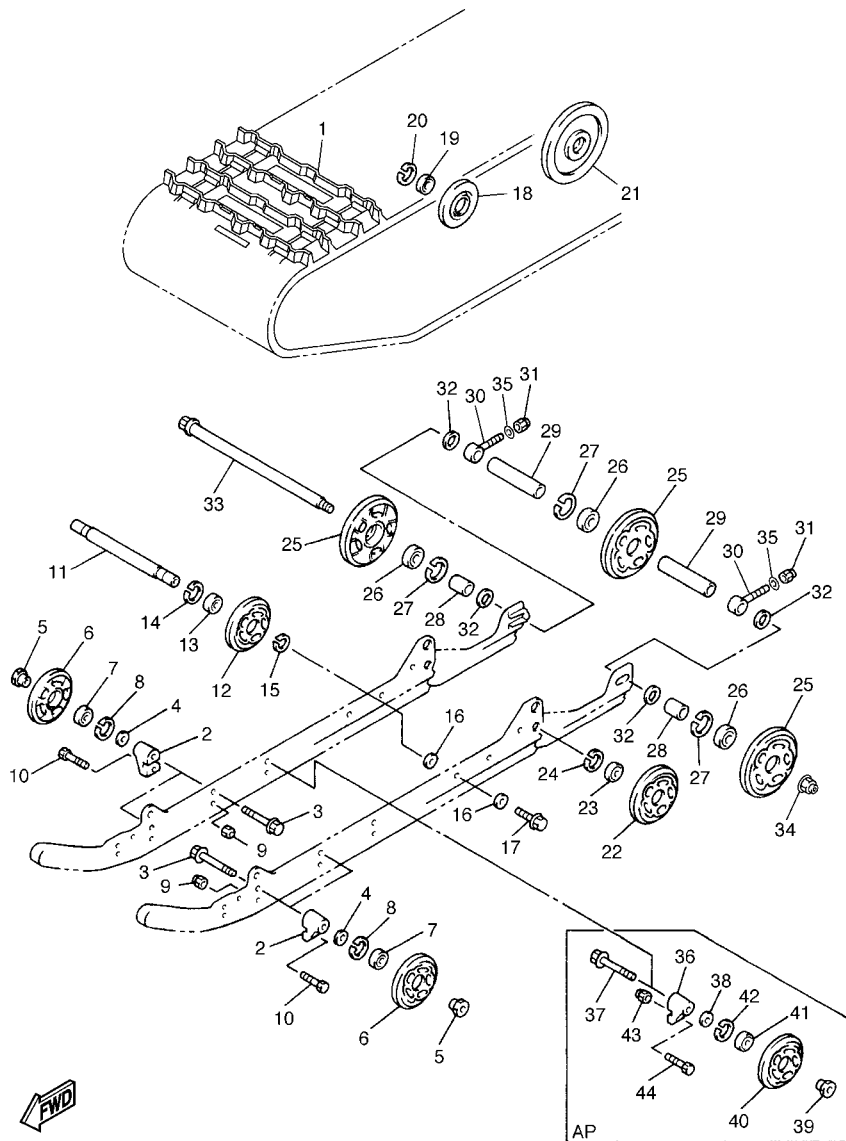
REF. NO.	PART NO.	DESCRIPTION	EUR	RUS	JPN	REMARKS
1	83R-25831-00	DISC, BRAKE (RIGHT)	1	1	1	
2	87R-25730-01	CALIPER BODY COMP.1	1	1	1	
3	86M-25738-00	.SCREW, ADJUSTING 1	1	1	1	
4	87R-25726-01	.LEVER, BRAKE	1	1	1	
5	86M-25827-00	.SHIM, CALIPER	1	1	1	
6	86M-25773-00	.LOCK, ONE WAY 2	1	1	1	
7	86M-25771-00	.RATCHET, ADJUSTING	1	1	1	
8	86M-25772-00	.COVER	1	1	1	
9	86M-25818-00	.BOLT, CALIPER	2	2	2	
10	87R-25721-00	.BRACKET, CALIPER	1	1	1	
11	86M-25826-00	.BOLT 3	1	1	1	
12	87R-25743-00	.SPRING	1	1	1	
13	87R-25722-00	.BRACKET, ADJUSTING	1	1	1	
14	86M-25733-00	.PLATE, BACK UP	1	1	1	
15	86M-25833-00	.BOLT, FITTING	2	2	2	
16	86M-25744-00	.PIN 2	1	1	1	
17	95827-10050	BOLT, FLANGE	2	2	2	
18	89J-25811-00	PAD, CALIPER 2	1	1	1	
19	89J-25911-00	PAD, CALIPER 2	1	1	1	



8ACF100-D220

FIG. 22 CONTROL CABLE

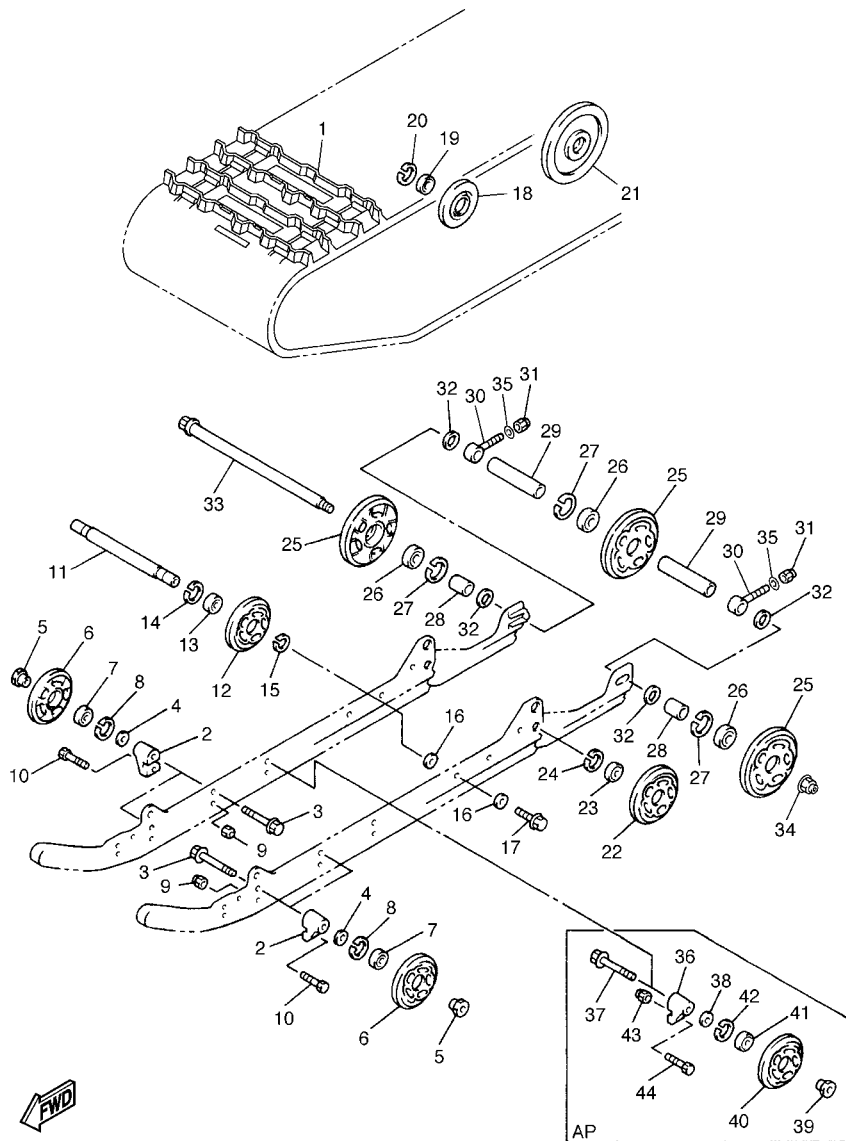
REF. NO.	PART NO.	DESCRIPTION	EUR	RUS	JPN	REMARKS
1	83R-26311-02	CABLE, THROTTLE 1	1	1	1	
2	90465-10189	CLAMP	1	1	1	
3	87R-26340-01	CABLE, BRAKE	1	1	1	
4	83R-26331-01	CABLE, STARTER 1	1	1	1	
5	8G8-26333-00	.NUT	1	1	1	
6	8U9-26325-00	.KNOB, STARTER	1	1	1	
7	91609-30010	.PIN, SPRING	1	1	1	
8	8DX-26240-00	GRIP ASSY	2	2	2	
9	437-83936-01	BAND, SWITCH CORD	2	2	2	
10	90267-48014	RIVET, BLIND (4.8X15.1 BLACK)	4	4	4	
11	90387-220X0	COLLAR	1	1	1	



8ACH100-E230

FIG. 23 TRACK SUSPENSION 1

REF. NO.	PART NO.	DESCRIPTION	EUR	RUS	JPN	REMARKS
1	8AC-47110-10	TRACK ASSY	1	1	1	
2	8CM-47419-10	BRACKET 7	4	4	4	
3	90105-10769	BOLT, FLANGE	4	4	4	
4	90201-100L3	WASHER, PLATE	4	4	4	
5	90179-10670	NUT	4	4	4	
6	87M-47320-00	SUSPENSION WHEEL COMP.	4	4	4	
7	93306-00444	BEARING	4	4	4	
8	99009-42500	CIRCLIP	4	4	4	
9	95607-08200	NUT, SELF-LOCKING	4	4	4	
10	90101-08774	BOLT	4	4	4	
11	8AT-47486-00	SHAFT 4	1	1	1	
12	87M-47320-00	SUSPENSION WHEEL COMP.	2	2	2	
13	93306-00444	BEARING	2	2	2	
14	99009-42500	CIRCLIP	2	2	2	
15	99009-20400	CIRCLIP	2	2	2	
16	90201-100L3	WASHER, PLATE	4	4	4	
17	90105-10433	BOLT, FLANGE	2	2	2	
18	8AC-47320-00	SUSPENSION WHEEL COMP.	2	2	2	
19	93306-00444	BEARING	2	2	2	
20	99009-42500	CIRCLIP	2	2	2	
21	8AC-47550-00	GUIDE WHEEL ASSY	2	2	2	
22	8U7-47320-00	SUSPENSION WHEEL COMP.	2	2	2	
23	93306-00444	BEARING	2	2	2	
24	99009-42500	CIRCLIP	2	2	2	
25	8K2-47530-00	GUIDE WHEEL COMP.	3	3	3	
26	93306-20469	BEARING	3	3	3	
27	99009-47500	CIRCLIP	3	3	3	



8ACH100-E230

FIG. 23 TRACK SUSPENSION 1

REF. NO.	PART NO.	DESCRIPTION	EUR	RUS	JPN	REMARKS
28	90387-200U9	COLLAR	2	2	2	
29	90387-205T6	COLLAR	2	2	2	
30	8DM-47479-00	COLLAR 3	2	2	2	
31	95707-10300	NUT, FLANGE	2	2	2	
32	90201-205R6	WASHER, PLATE	4	4	4	
33	83R-47520-10	REAR AXLE COMP.	1	1	1	
34	95607-14200	NUT, SELF-LOCKING	1	1	1	
35	92907-10600	WASHER, PLATE	2	2	2	
36	8CM-47419-10	BRACKET 7	2	2	2	AP
37	90105-10029	BOLT, FLANGE	2	2	2	AP
38	90201-100L3	WASHER, PLATE	2	2	2	AP
39	90179-10670	NUT	2	2	2	AP
40	87M-47320-00	SUSPENSION WHEEL COMP.	2	2	2	AP
41	93306-00444	BEARING	2	2	2	AP
42	99009-42500	CIRCLIP	2	2	2	AP
43	95607-08200	NUT, SELF-LOCKING	2	2	2	AP
44	90101-08774	BOLT	2	2	2	AP

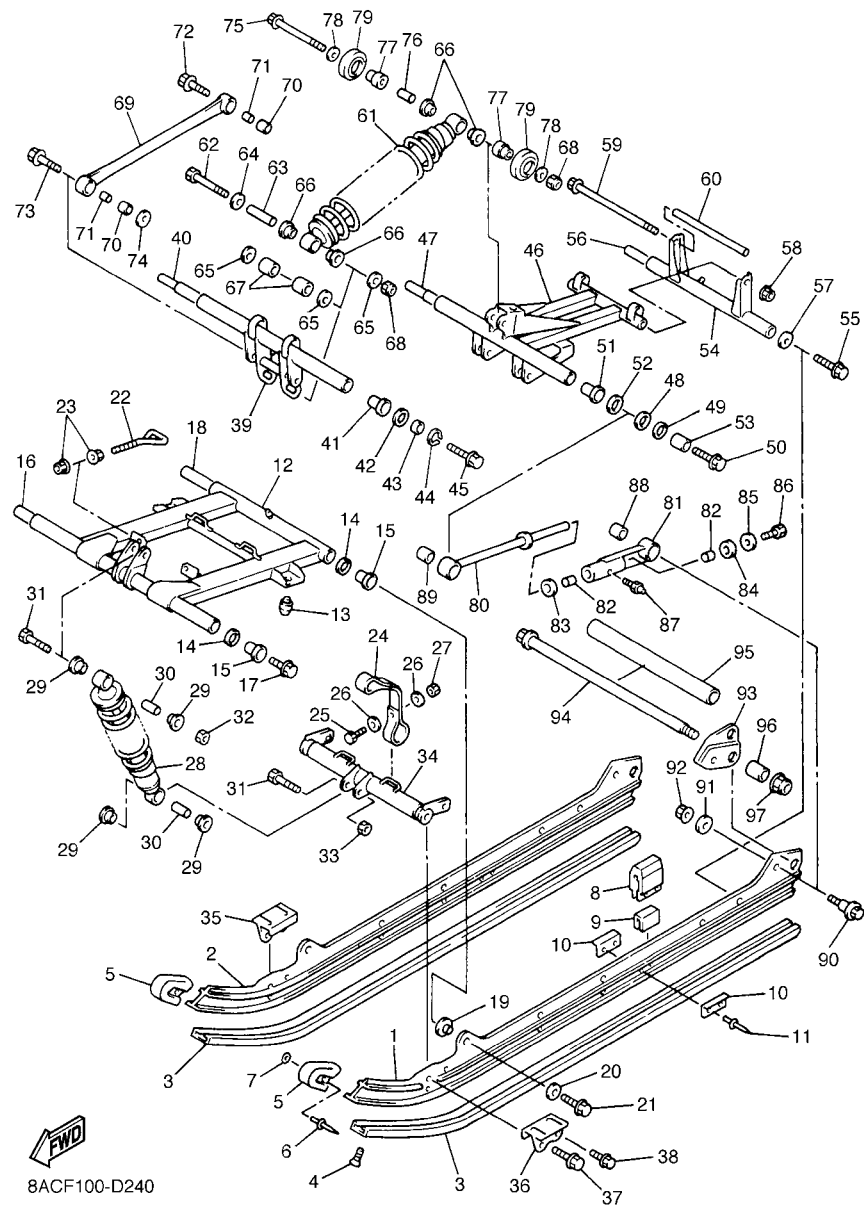


FIG. 24 TRACK SUSPENSION 2

REF. NO.	PART NO.	DESCRIPTION	EUR	RUS	JPN	REMARKS
1	8AC-47411-10	FRAME, SLIDING 1	1	1	1	
2	8AC-47414-10	FRAME, SLIDING 4	1	1	1	
3	8AC-47421-00	RUNNER, SLIDING 1	2	2	2	
4	90151-06010	SCREW, COUNTERSUNK	2	2	2	
5	8ED-47422-00	RUNNER, SLIDING 2	2	2	2	
6	90267-48194	RIVET, BLIND (4.8X28 SILVER)	2	2	2	
7	90201-047R8	WASHER, PLATE	2	2	2	
8	8AC-47457-00	DAMPER 2	2	2	2	
9	8AC-47341-00	SPACER	2	2	2	
10	8AX-47458-00	PLATE, DAMPER	4	4	4	
11	90267-48199	RIVET, BLIND (4.8X28.3)	4	4	4	
12	8AC-47331-00	ARM, PIVOT 1	1	1	1	
13	83M-21488-00	DAMPER	2	2	2	
14	90201-210U0	WASHER, PLATE	4	4	4	
15	90381-19111	BUSH, SOLID	4	4	4	
16	8AC-47465-00	SHAFT 1	1	1	1	
17	90105-103A1	BOLT, FLANGE	2	2	2	
18	83R-47485-02	SHAFT 3	1	1	1	
19	90387-105G6	COLLAR	2	2	2	
20	90201-100L3	WASHER, PLATE	2	2	2	
21	90105-10433	BOLT, FLANGE	2	2	2	
22	8CR-47448-00	HOOK 3	2	2	2	
23	95707-08500	NUT, FLANGE	4	4	4	
24	8CV-47495-00	STOPPER 1	2	2	2	
25	97007-06025	BOLT	4	4	4	
26	90201-06747	WASHER, PLATE	8	8	8	
27	95707-06300	NUT, NYLON	4	4	4	

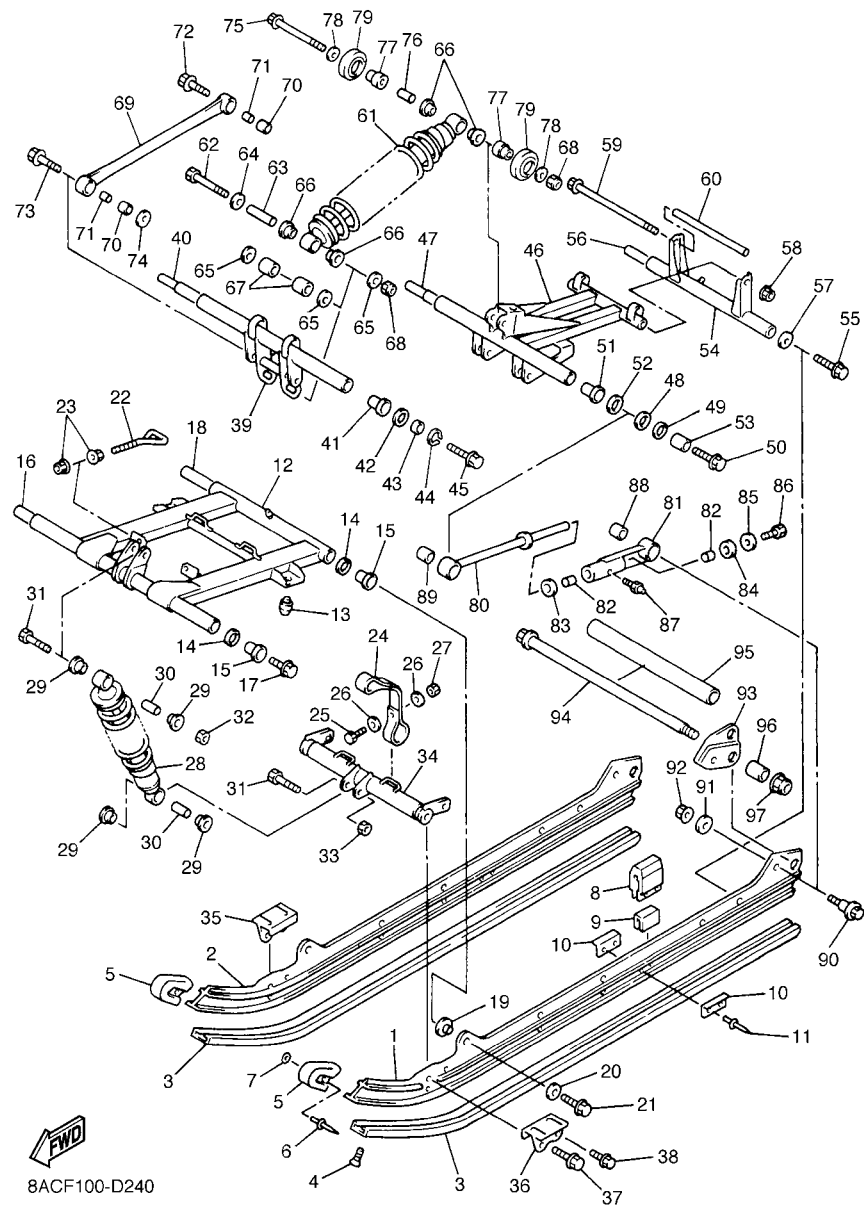
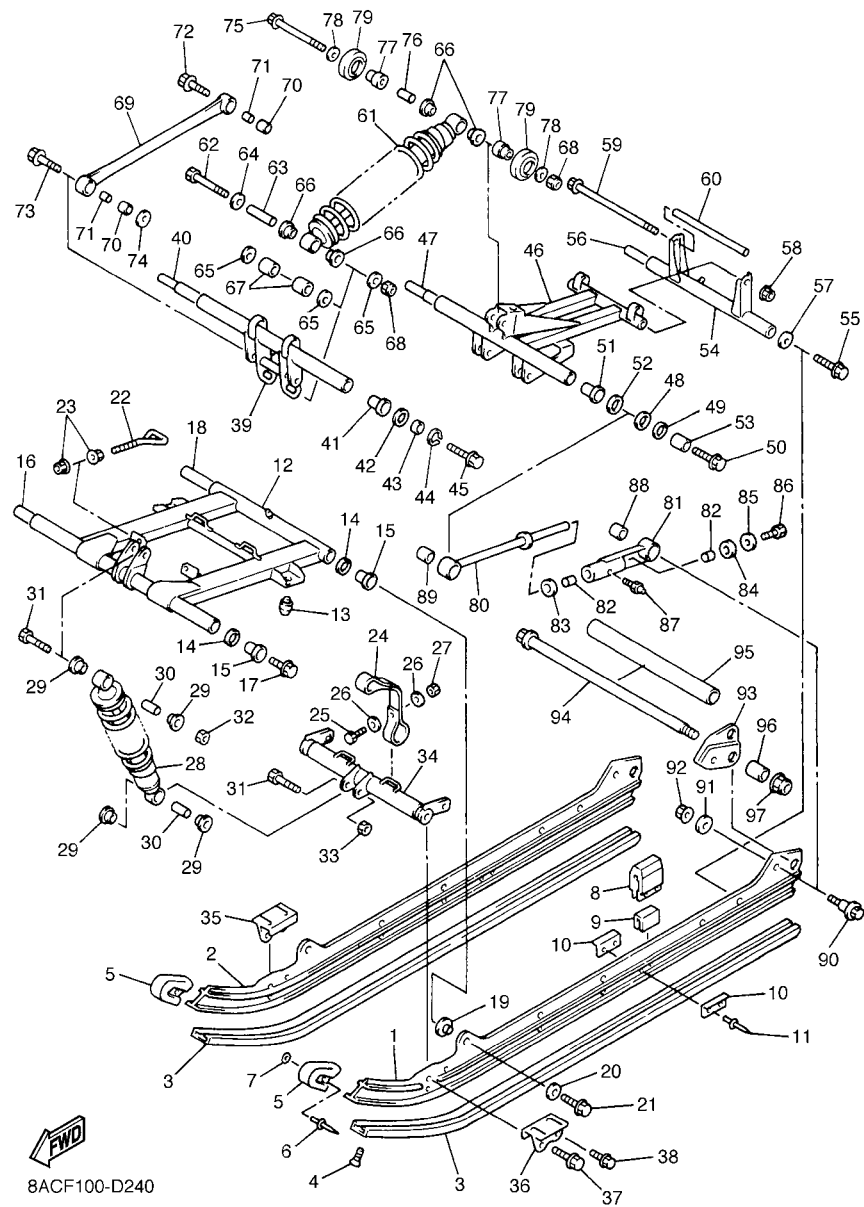


FIG. 24 TRACK SUSPENSION 2

REF. NO.	PART NO.	DESCRIPTION	EUR	RUS	JPN	REMARKS
28	8AC-47481-00	SHOCK ABSORBER 2	1	1	1	
29	90381-14101	BUSH, SOLID	4	4	4	
30	90387-105G5	COLLAR	2	2	2	
31	90101-10738	BOLT	2	2	2	
32	90185-10110	NUT, SELF-LOCKING	1	1	1	
33	95607-10100	NUT, U	1	1	1	
34	8AC-47418-00	BRACKET 4	1	1	1	
35	8DF-47463-01	BRACKET 5	1	1	1	
36	8DF-47464-01	BRACKET 6	1	1	1	
37	90105-10433	BOLT, FLANGE	2	2	2	
38	90105-08450	BOLT, FLANGE	2	2	2	
39	8AC-47416-01	BRACKET 2	1	1	1	
40	8AC-47488-10	SHAFT 6	1	1	1	
41	90381-22099	BUSH, SOLID	2	2	2	
42	90201-207J5	WASHER, PLATE	2	2	2	
43	90387-2004V	COLLAR	2	2	2	
44	99009-20400	CIRCLIP	2	2	2	
45	90105-103A1	BOLT, FLANGE	2	2	2	
46	8AC-47332-00	ARM, PIVOT 2	1	1	1	
47	8AC-47475-00	SHAFT 2	1	1	1	
48	90201-266L1	WASHER, PLATE	2	2	2	
49	90201-250T6	WASHER, PLATE	2	2	2	
50	90105-10433	BOLT, FLANGE	2	2	2	
51	90381-28108	BUSH, SOLID	2	2	2	
52	90201-286K9	WASHER, PLATE (T1.0)	2	2	2	
53	90387-2515E	COLLAR	2	2	2	
54	8AC-47417-00	BRACKET 3	1	1	1	



8ACF100-D240

FIG. 24 TRACK SUSPENSION 2

REF. NO.	PART NO.	DESCRIPTION	EUR	RUS	JPN	REMARKS
55	90105-10433	BOLT, FLANGE	2	2	2	
56	83R-47485-02	SHAFT 3	1	1	1	
57	90201-10136	WASHER, PLATE	2	2	2	
58	95607-08200	NUT, SELF-LOCKING	1	1	1	
59	95827-08220	BOLT, FLANGE	1	1	1	
60	90387-083G6	COLLAR	1	1	1	
61	8AC-47480-40	SHOCK ABSORBER	1	1		
	8AC-47480-50	SHOCK ABSORBER			1	
62	8AC-4631K-00	BOLT, ADJUSTING	1	1	1	
63	90387-1009S	COLLAR	1	1	1	
64	90201-103U4	WASHER, PLATE	1	1	1	
65	90201-100U1	WASHER, PLATE	3	3	3	
66	90381-14101	BUSH, SOLID	4	4	4	
67	90387-1404R	COLLAR	2	2	2	
68	95607-10100	NUT, U	2	2	2	
69	8CR-47494-01	ROD, RELAY	2	2	2	
70	90381-14109	BUSH, SOLID	4	4	4	
71	90387-100X3	COLLAR	4	4	4	
72	90105-10739	BOLT, FLANGE	2	2	2	
73	90105-10436	BOLT, FLANGE	2	2	2	
74	90201-100U1	WASHER, PLATE	2	2	2	
75	90105-10105	BOLT, FLANGE	1	1	1	
76	90387-105G5	COLLAR	1	1	1	
77	8AC-47366-00	COLLAR 2	2	2	2	
78	90201-10136	WASHER, PLATE	2	2	2	
79	8AC-47310-10	SUSPENSION WHEEL ASSY	2	2	2	
80	8AC-4745A-10	ROD, CONTROL 1	2	2	2	

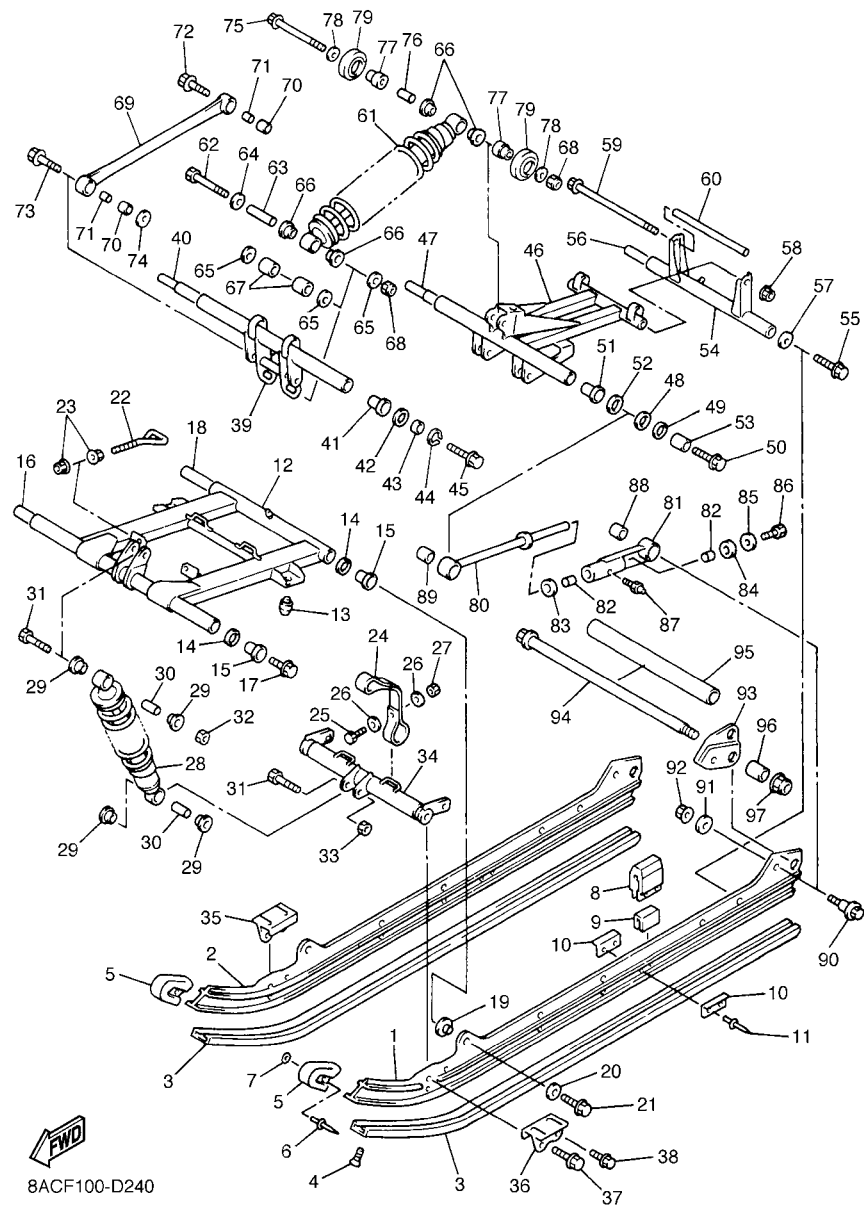
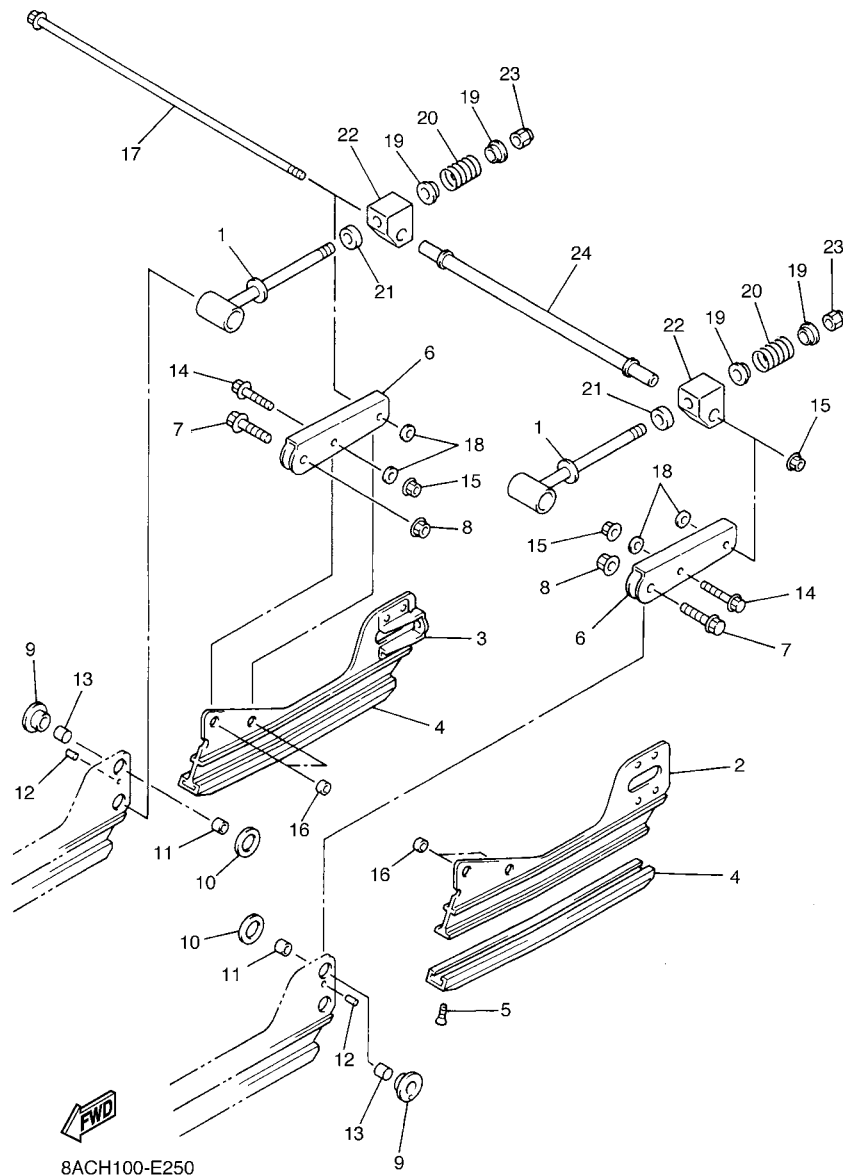


FIG. 24 TRACK SUSPENSION 2

REF. NO.	PART NO.	DESCRIPTION	EUR	RUS	JPN	REMARKS
81	8CR-4745B-00	ROD, CONTROL 2	2	2	2	
82	90384-16251	BUSH, BIMETAL FORMED	4	4	4	
83	90202-16231	WASHER, PLATE	2	2	2	
84	90202-16232	WASHER, PLATE	2	2	2	
85	90201-106F2	WASHER, PLATE	2	2	2	
86	97027-10025	BOLT, HEXAGON	2	2	2	
87	93700-06004	NIPPLE, GREASE	2	2	2	
88	90380-22232	BUSH, SOLID	2	2	2	
89	90380-28235	BUSH, SOLID	2	2	2	
90	8DF-47367-00	SCREW, REAR PIVOT	2	2	2	
91	90201-101U2	WASHER, PLATE	2	2	2	
92	95607-10200	NUT, U FLANGE	2	2	2	
93	8AC-47349-00	BRACKET, ARM PIVOT	2	2	2	
94	83R-47520-10	REAR AXLE COMP.	1	1	1	
95	83R-47469-00	COLLAR 1	1	1	1	
96	90387-203H0	COLLAR	2	2	2	
97	95607-14200	NUT, SELF-LOCKING	1	1	1	



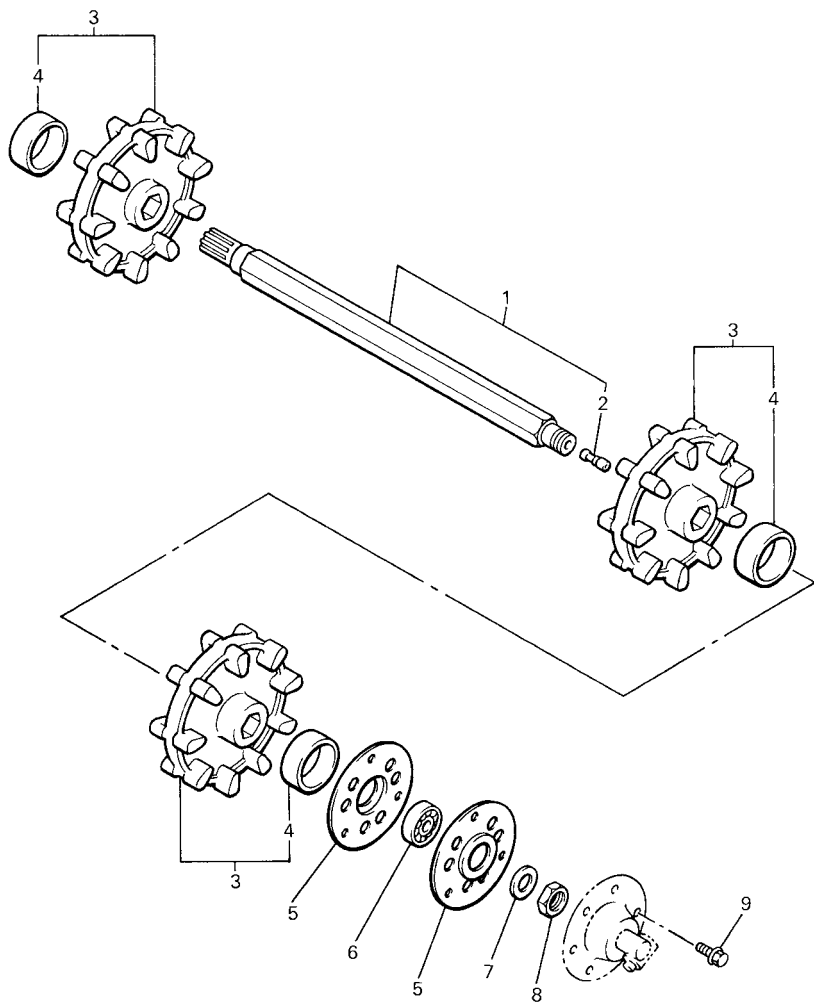
8ACH100-E250

FIG. 25 TRACK SUSPENSION 3

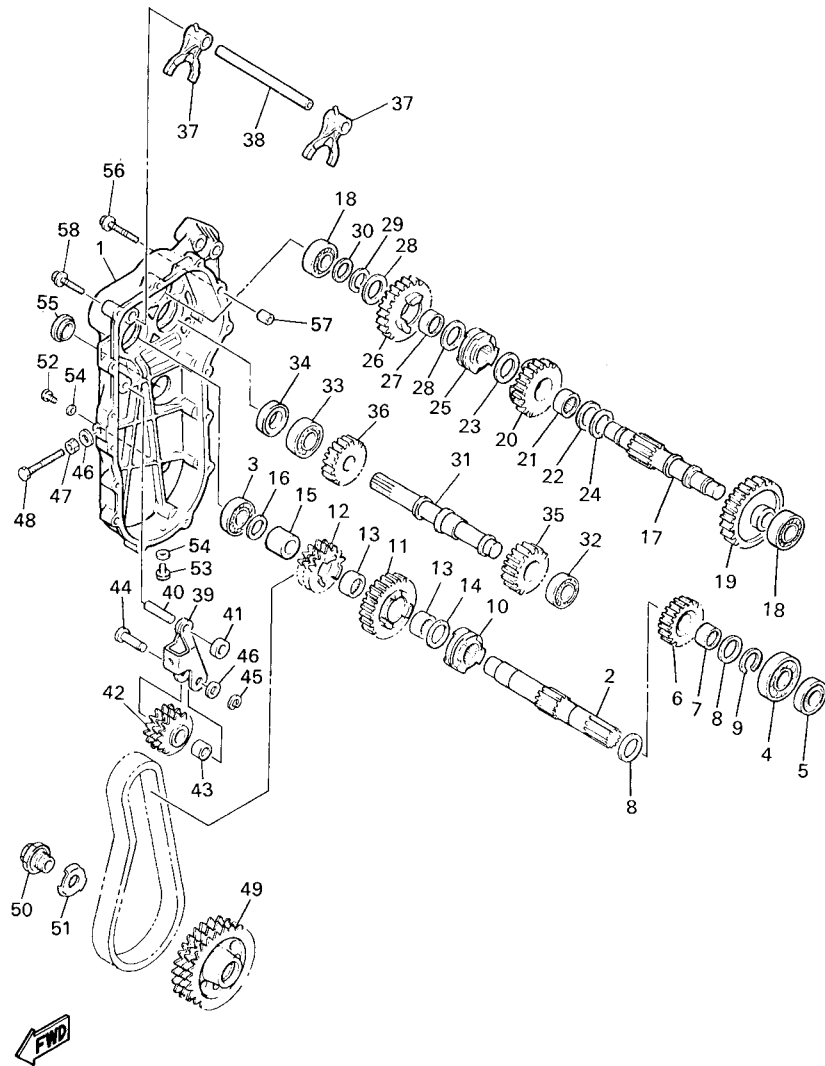
REF. NO.	PART NO.	DESCRIPTION	EUR	RUS	JPN	REMARKS
1	83R-47337-00	SHAFT, PIVOT	2	2	2	
2	8FM-W4741-10	FRAME, SLIDING	1	1	1	
3	8FM-W4741-10	FRAME, SLIDING	1	1	1	
4	8AC-47424-00	RUNNER, SLIDING 4	2	2	2	
5	90151-06010	SCREW, COUNTERSUNK	2	2	2	
6	8FM-47333-00	ARM, PIVOT 3	2	2	2	
7	95817-10030	BOLT, FLANGE	2	2	2	
8	90185-10115	NUT, SELF-LOCKING	2	2	2	
9	90387-1815A	COLLAR	2	2	2	
10	90202-22238	WASHER, PLATE	2	2	2	
11	90387-1014Y	COLLAR	2	2	2	
12	91609-30008	PIN, SPRING	2	2	2	
13	90380-16109	BUSH, SOLID	2	2	2	
14	95817-08035	BOLT, FLANGE	2	2	2	
15	95607-08200	NUT, SELF-LOCKING	3	3	3	
16	90387-082J1	COLLAR	4	4	4	
17	90105-08483	BOLT, FLANGE	1	1	1	
18	90201-08649	WASHER, PLATE	4	4	4	
19	83R-23768-00	SEAT, SPRING 1	4	4	4	
20	90501-407E4	SPRING, COMPRESSION	2	2	2	
21	83R-47335-00	SPRING	2	2	2	
22	83R-47446-00	HOOK 1	2	2	2	
23	95707-12300	NUT, FLANGE	2	2	2	
24	8AC-47478-00	COLLAR 2	1	1	1	

FIG. 26 TRACK DRIVE 1

REF. NO.	PART NO.	DESCRIPTION	EUR	RUS	JPN	REMARKS
1	83R-W4751-10	AXLE, FRONT	1	1	1	
2	8K4-47577-00	.CONNECTOR	1	1	1	
3	83R-W4753-01	WHEEL, SPROCKET 1	3	3	3	
4	90387-514Y2	.COLLAR	1	1	1	
5	83R-47551-00	HOUSING, FRONT AXLE	2	2	2	
6	93306-00507	BEARING	1	1	1	
7	90208-25045	WASHER, CONICAL SPRING	1	1	1	
8	90170-25367	NUT	1	1	1	
9	95827-08014	BOLT, FLANGE	3	3	3	



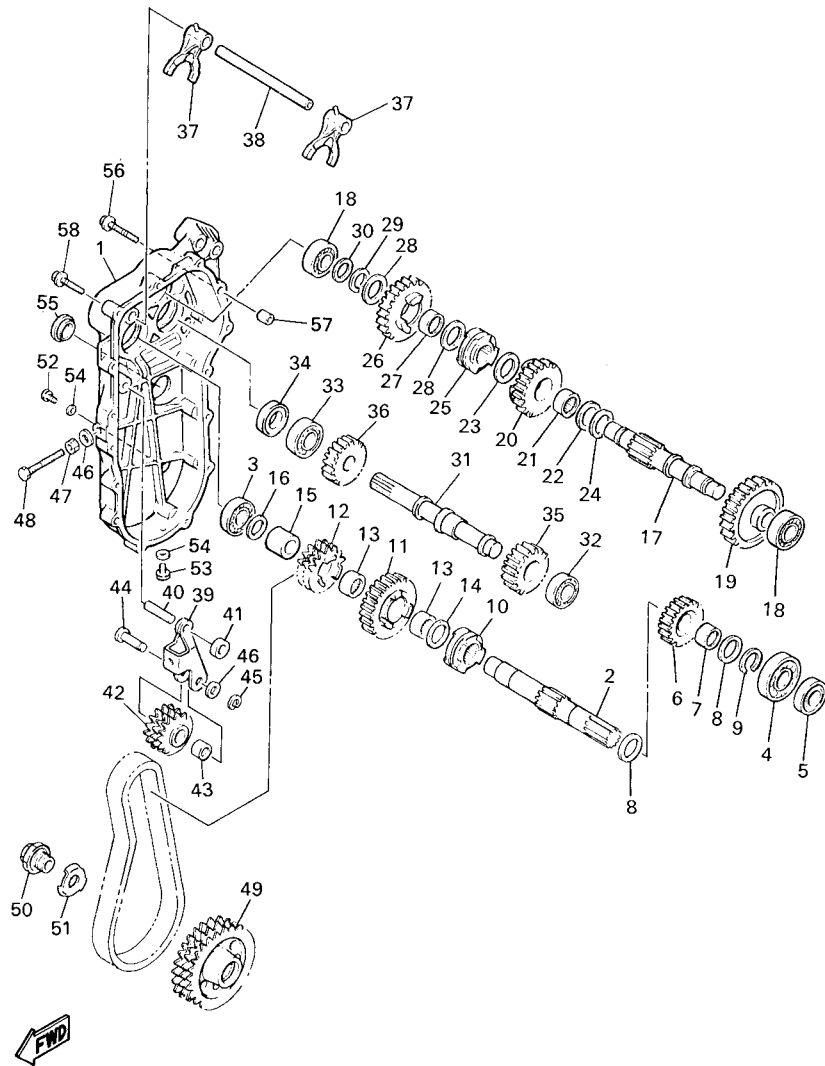
8AC3100-6280



8AC6100-9270

FIG. 27 TRACK DRIVE 2

REF. NO.	PART NO.	DESCRIPTION	EUR	RUS	JPN	REMARKS
1	83R-47543-00	CAP, HOUSING	1	1	1	
2	85R-17421-00	AXLE, DRIVE	1	1	1	
3	93306-20402	BEARING	1	1	1	
4	93306-37206	BEARING	1	1	1	
5	93102-22014	OIL SEAL	1	1	1	
6	83R-17121-00	GEAR, 2ND PINION (22T)	1	1	1	
7	93311-42265	BEARING	1	1	1	
8	90201-224L4	WASHER, PLATE	2	2	2	
9	99009-22400	CIRCLIP	1	1	1	
10	83R-17492-10	DOG, TRANSMISSION SHIFT	1	1	1	
11	8AT-17131-00	GEAR, 3RD PINION (28T)	1	1	1	
12	83R-17682-00	SPROCKET, CHAIN DRIVE (17T)	1	1	1	
13	93317-32241	BEARING	2	2	2	
14	90201-224L4	WASHER, PLATE	1	1	1	
15	90387-226V7	COLLAR	1	1	1	
16	90201-20792	WASHER, PLATE	1	1	1	
17	83R-17431-00	AXLE, COUNTER	1	1	1	
18	93306-20321	BEARING	2	2	2	
19	8AT-17141-00	GEAR, 4TH PINION (28T)	1	1	1	
20	83R-17151-00	GEAR, 5TH PINION (22T)	1	1	1	
21	93317-32241	BEARING	1	1	1	
22	90201-224L4	WASHER, PLATE	1	1	1	
23	90201-225L2	WASHER, PLATE	1	1	1	
24	99009-22400	CIRCLIP	1	1	1	
25	83R-17492-10	DOG, TRANSMISSION SHIFT	1	1	1	
26	83R-17143-00	GEAR, REVERSE PINION 1 (27T)	1	1	1	
27	93317-22021	BEARING	1	1	1	

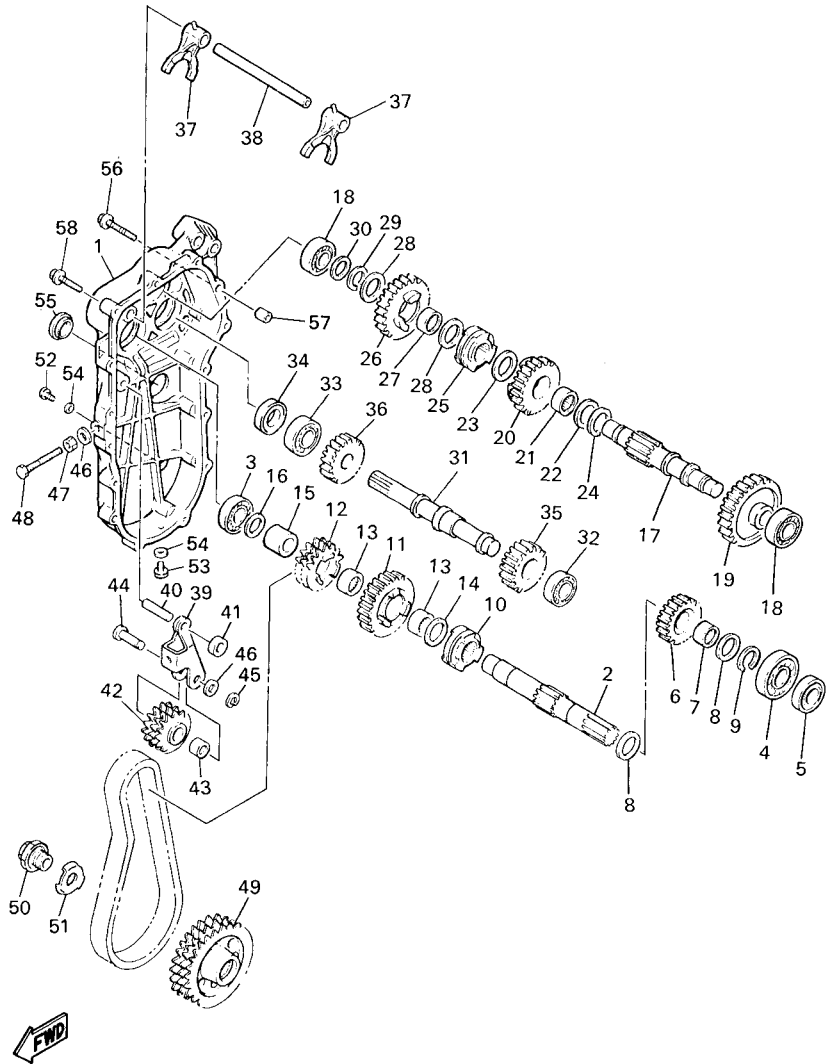


8AC6100-9270

FIG. 27 TRACK DRIVE 2

REF. NO.	PART NO.	DESCRIPTION	EUR	RUS	JPN	REMARKS
28	90201-20792	WASHER, PLATE	2	2	2	
29	99009-20400	CIRCLIP	1	1	1	
30	90201-171J5	WASHER, PLAIN	1	1	1	
31	83R-17432-01	AXLE, IDLE	1	1	1	
32	93306-20321	BEARING	1	1	1	
33	93306-20402	BEARING	1	1	1	
34	93102-20010	OIL SEAL	1	1	1	
35	83R-17243-00	GEAR, REVERSE WHEEL 1 (19T)	1	1	1	
36	83R-17153-00	GEAR, REVERSE PINION 2 (20T)	1	1	1	
37	83R-18511-00	FORK, SHIFT 1	2	2	2	
38	83R-18531-00	BAR, SHIFT FORK GUIDE 1	1	1	1	
39	83R-47613-00	HOLDER	1	1	1	
40	93612-44229	PIN, DOWEL	1	1	1	
41	90387-121E8	COLLAR	1	1	1	
42	83R-47612-00	WHEEL	1	1	1	
43	93315-21227	BEARING	1	1	1	
44	90249-12216	PIN	1	1	1	
45	99009-12400	CIRCLIP	1	1	1	
46	90210-10004	WASHER, SEAL	1	1	1	
47	95307-10700	NUT	1	1	1	
48	90101-10357	BOLT	1	1	1	
49	83R-47548-00	SPROCKET, CHAIN DRIVEN (22T)	1	1	1	
50	90105-27484	BOLT, FLANGE	1	1	1	
51	90215-39268	WASHER, LOCK	1	1	1	
52	97007-06010	BOLT	1	1	1	
53	98907-06008	SCREW, BIND	1	1	1	
54	90430-06016	GASKET	2	2	2	

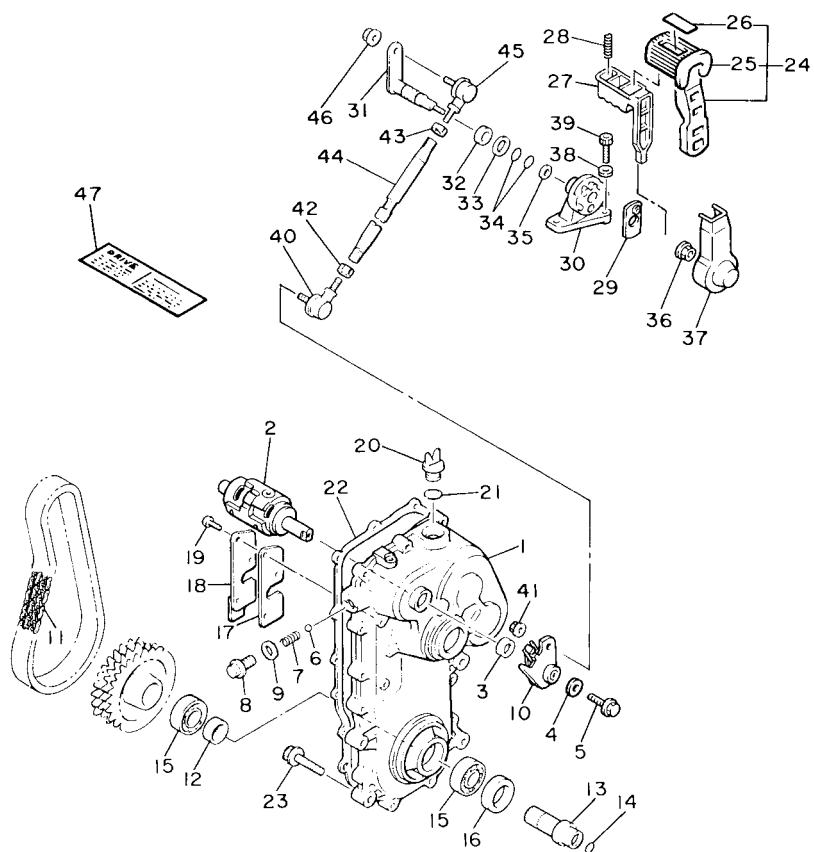
FIG. 27 TRACK DRIVE 2



8AC6100-9270

REF. NO.	PART NO.	DESCRIPTION	EUR	RUS	JPN	REMARKS
55	90338-30219	PLUG	1	1	1	
56	95827-06045	BOLT, FLANGE	2	2	2	
57	99530-10114	PIN, DOWEL	2	2	2	
58	95827-06035	BOLT, FLANGE	13	13	13	

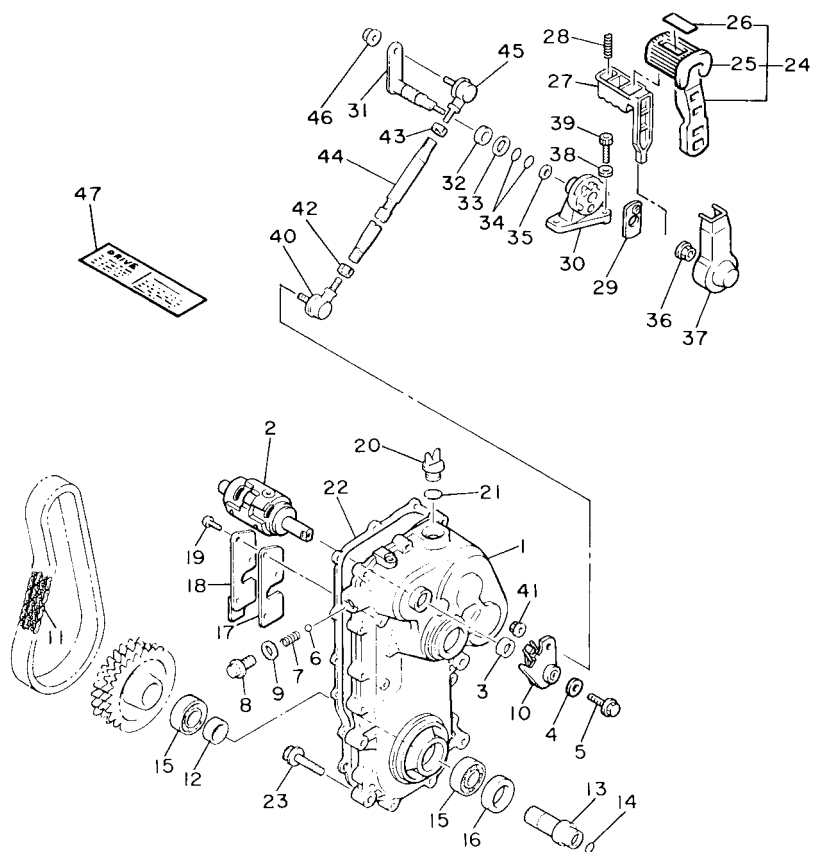
FIG. 28 TRACK DRIVE 3




89N010-2280

REF. NO.	PART NO.	DESCRIPTION	EUR	RUS	JPN	REMARKS
1	87R-47541-00	HOUSING, CHAIN	1	1	1	
2	89N-18540-00	SHIFT CAM ASSY	1	1	1	
3	93102-15212	OIL SEAL	1	1	1	
4	90201-06072	WASHER, PLATE	1	1	1	
5	90105-06405	BOLT, FLANGE	1	1	1	
6	93503-08007	BALL	1	1	1	
7	90501-147A6	SPRING, COMPRESSION	1	1	1	
8	90105-14367	BOLT, FLANGE	1	1	1	
9	90430-14194	GASKET	1	1	1	
10	89N-18130-01	SHIFT SHAFT ASSY	1	1	1	
11	94880-06070	CHAIN (DID35P-3)	1	1	1	
12	90387-405T8	COLLAR	1	1	1	
13	83R-47571-00	JOURNAL 1	1	1	1	
14	93210-28763	O-RING	1	1	1	
15	93306-90802	BEARING	2	2	2	
16	93102-46394	OIL SEAL	1	1	1	
17	85R-47544-01	GASKET	1	1	1	
18	88N-47591-00	PLATE	1	1	1	
19	90154-06050	SCREW, BINDING	3	3	3	
20	3Y1-15363-00	PLUG, OIL	1	1	1	
21	93210-19123	O-RING	1	1	1	
22	85R-47592-00	GASKET	1	1	1	
23	95827-08040	BOLT, FLANGE	4	4	4	
24	83R-18150-00	SHIFT LEVER ASSY	1	1	1	
25	52G-18113-00	.COVER, SHIFT PEDAL	1	1	1	
26	83R-1815A-00	.LABEL	1	1	1	
27	59V-18174-00	KNOB, SHIFT LEVER	1	1	1	

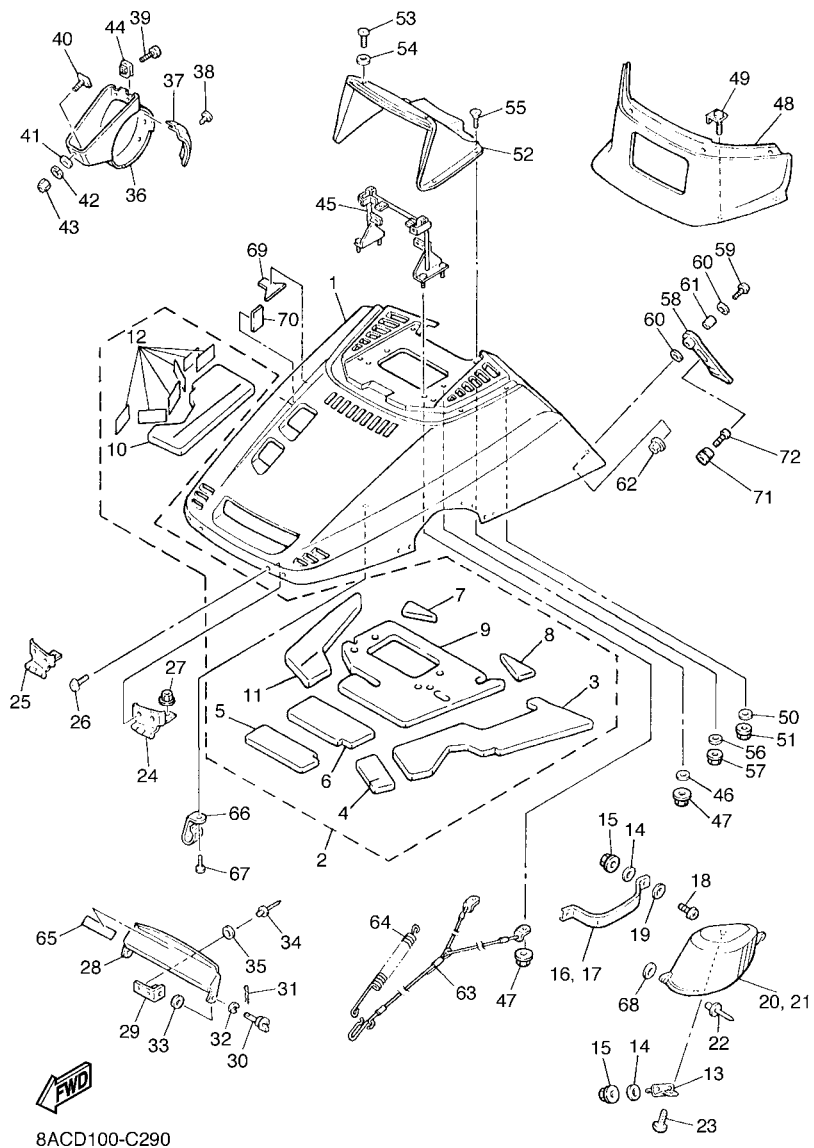
FIG. 28 TRACK DRIVE 3



REF. NO.	PART NO.	DESCRIPTION	EUR	RUS	JPN	REMARKS
28	90501-101A7	SPRING, COMPRESSION	1	1	1	
29	59V-18561-00	PLATE, SIDE 1	1	1	1	
30	83R-18153-00	GUIDE, SHIFT RETURN SPRING	1	1	1	
31	83R-18341-00	SHAFT, RINK	1	1	1	
32	90387-145T7	COLLAR	1	1	1	
33	90201-144J2	WASHER, PLATE	1	1	1	
34	93210-10010	O-RING	2	2	2	
35	90201-064J1	WASHER, PLATE	1	1	1	
36	95707-06500	NUT, FLANGE	1	1	1	
37	59V-18433-00	COVER, SHIFT SPRING	1	1	1	
38	92907-06600	WASHER, PLATE	3	3	3	
39	91317-06025	BOLT	3	3	3	
40	3X3-18157-10	JOINT 2	1	1	1	
41	95707-06500	NUT, FLANGE	1	1	1	
42	95317-08600	NUT	1	1	1	
43	90170-08261	NUT	1	1	1	
44	83R-18116-00	JOINT, ROD 1	1	1	1	
45	3X3-18156-10	JOINT 1	1	1	1	
46	95707-06500	NUT, FLANGE	1	1	1	
47	8AT-47578-00	LABEL 1	1	1		



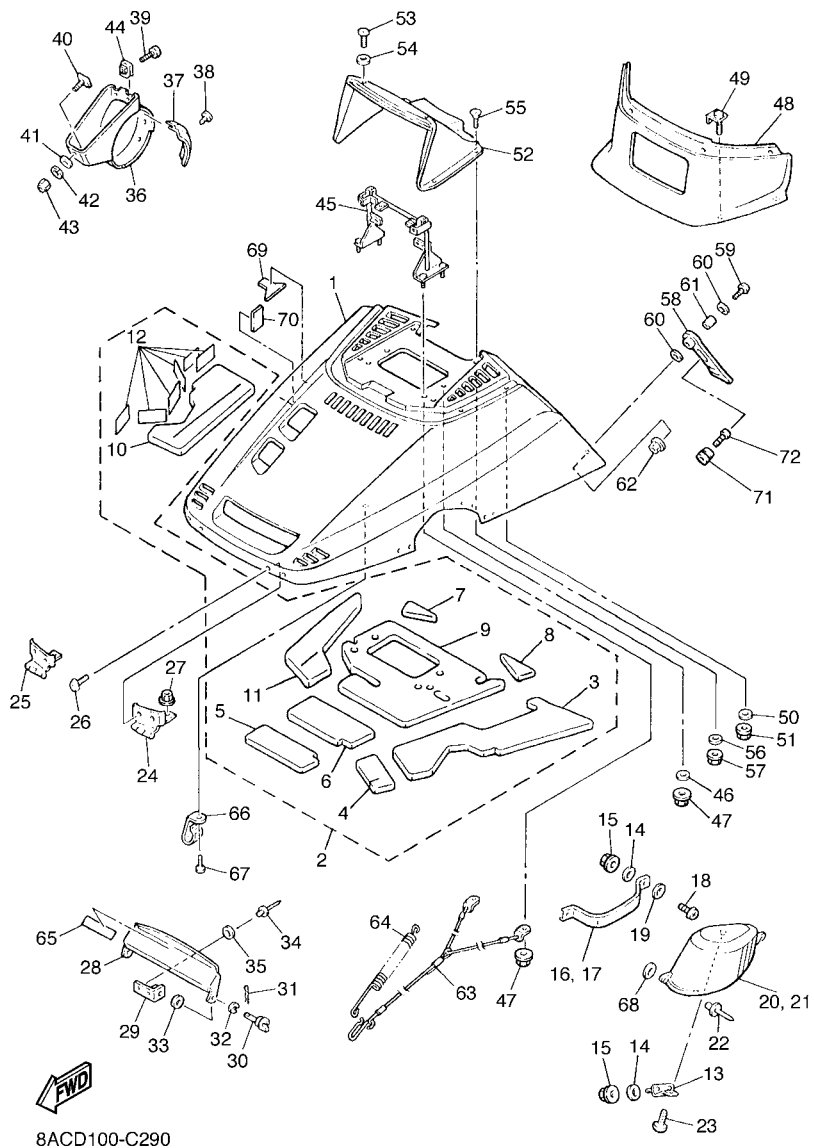
89N010-2280



8ACD100-C290

FIG. 29 SHROUD

REF. NO.	PART NO.	DESCRIPTION	EUR	RUS	JPN	REMARKS
1	8AC-77111-40	SHROUD	1	1	1	UR FOR SMX
	8AC-77111-50	SHROUD	1	1		UR FOR BWC1
2	8AT-W7726-00	LINING SET	1	1	1	
3	8AT-77261-00	.LINING, SHROUD 1	1	1	1	
4	8AT-77262-00	.LINING, SHROUD 2	1	1	1	
5	8AT-77263-00	.LINING, SHROUD 3	1	1	1	
6	8AT-77264-00	.LINING, SHROUD 4	1	1	1	
7	8AT-77265-00	.LINING, SHROUD 5	1	1	1	
8	8AT-77266-00	.LINING, SHROUD 6	1	1	1	
9	8AT-77267-00	.LINING, SHROUD 7	1	1	1	
10	8AT-77268-00	.LINING,SHROUD 8	1	1	1	
11	8AT-77269-00	.LINING,SHROUD 9	1	1	1	
12	82M-7717G-00	.TAPE 3	6	6	6	
13	8AT-77125-00	STAY 1	2	2	2	
14	92907-06200	WASHER	8	8	8	
15	95707-06300	NUT, NYLON	8	8	8	
16	8AT-77153-00	PLATE, BACK UP 1	1	1	1	
17	8AT-77154-00	PLATE, BACK UP 2	1	1	1	
18	98507-06020	SCREW, PAN HEAD	4	4	4	
19	92907-06600	WASHER, PLATE	4	4	4	
20	8AT-77121-00	HOOD 1	1	1	1	
21	8AT-77122-00	HOOD 2	1	1	1	
22	90267-48018	RIVET, BLIND (4.8X18.6 BLACK)	4	4	4	
23	97707-50016	SCREW, TRUSS HEAD TAPPING	2	2	2	
24	83R-77140-00	HINGE ASSY	1	1	1	
25	83R-7714A-00	HINGE ASSY 2	1	1	1	
26	98904-06016	SCREW, BIND	4	4	4	



8ACD100-C290

FIG. 29 SHROUD

REF. NO.	PART NO.	DESCRIPTION	EUR	RUS	JPN	REMARKS
27	95707-06300	NUT, NYLON	4	4	4	
28	83R-77185-00	PLATE 1	1	1	1	
29	83R-77125-00	STAY 1	2	2	2	
30	90122-05022	BOLT, WING	2	2	2	
31	90468-10003	CLIP	2	2	2	
32	92907-05100	WASHER, SPRING	2	2	2	
33	90202-05088	WASHER, PLATE	2	2	2	
34	90267-48079	RIVET, BLIND (4.8X16.1)	4	4	4	
35	90201-043H7	WASHER, PLATE	4	4	4	
36	83R-77194-00	DUCT	1	1	1	
37	83R-77515-00	BUSH, RUBBER 1	1	1	1	
38	90269-05039	RIVET	3	3	3	
39	98907-06014	SCREW, BIND	2	2	2	
40	83R-77186-00	PLATE 2	1	1	1	
41	90201-06557	WASHER, PLATE	1	1	1	
42	92907-06100	WASHER, SPRING	1	1	1	
43	95307-06600	NUT	1	1	1	
44	83R-77144-00	NUT	2	2	2	
45	83R-77241-00	SRAY,FAIRING	1	1	1	
46	90201-06557	WASHER, PLATE	3	3	3	
47	95707-06300	NUT, NYLON	4	4	4	
48	8AC-77231-40	FAIRING	1	1	1	UR FOR SMX
	8AC-77231-50	FAIRING	1	1	1	UR FOR BWC1
49	83R-77212-00	BOLT, WIND SHIELD	4	4	4	
50	90201-06557	WASHER, PLATE	2	2	2	
51	95707-06300	NUT, NYLON	4	4	4	
52	86V-77251-01	COVER, HEADLIGHT	1	1		

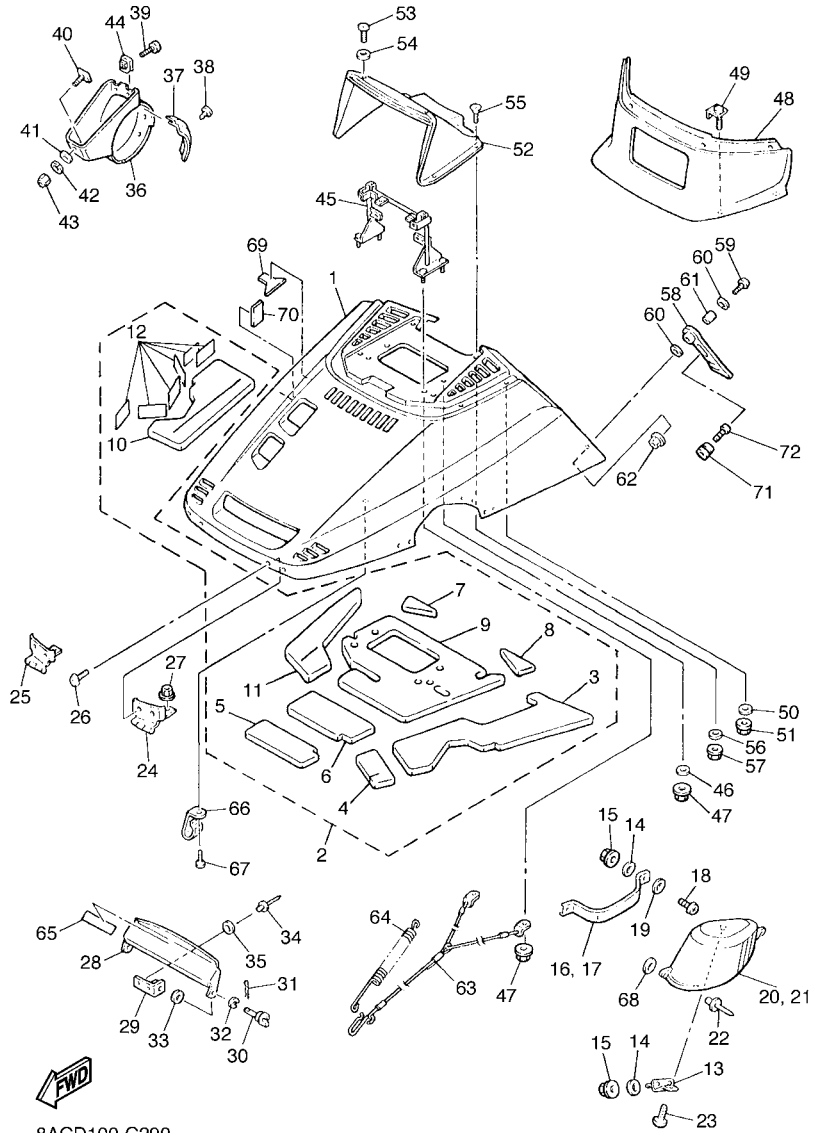
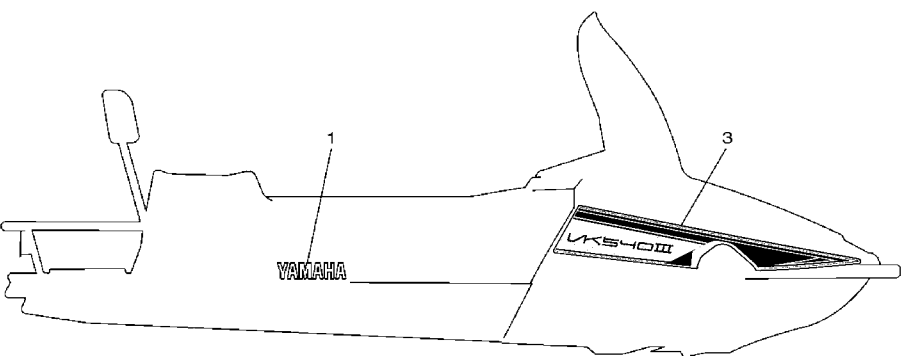
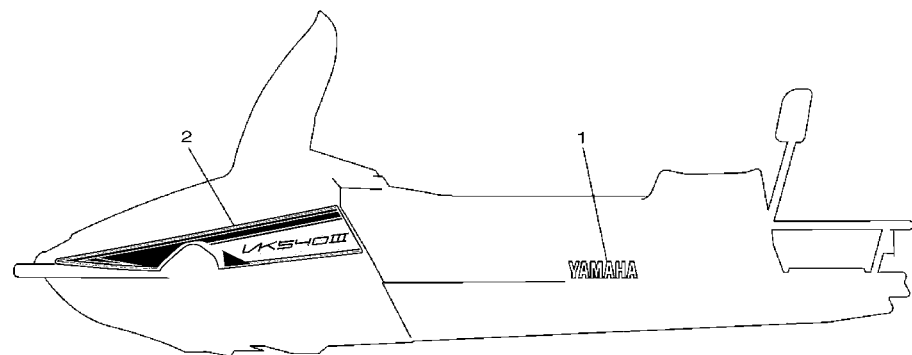
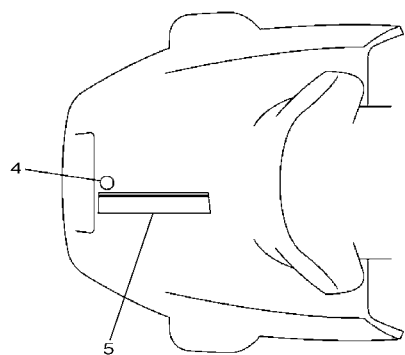


FIG. 29 SHROUD

REF. NO.	PART NO.	DESCRIPTION	EUR	RUS	JPN	REMARKS
52	87R-77251-01	COVER, HEADLIGHT			1	
53	98907-05012	SCREW, BIND	2	2	2	
54	90201-06042	WASHER, PLATE	2	2	2	
55	98707-05016	SCREW, FLAT HEAD	4	4	4	
56	90201-05029	WASHER, PLATE	4	4	4	
57	95707-05300	NUT, FLANGE	4	4	4	
58	8V0-77171-00	BODY, LATCH 1	2	2	2	
59	98907-06025	SCREW, BIND	2	2	2	
60	90201-06557	WASHER, PLATE	4	4	4	
61	90387-06241	COLLAR	2	2	2	
62	95707-06500	NUT, FLANGE	2	2	2	
63	83R-77118-01	STOPPER, SHROUD	1	1	1	
64	838-77159-00	CLAMP, ROD	1	1	1	
65	8AC-2815P-S0	LABEL, NOTICE 1	1	1		
	8AC-2815P-J0	LABEL, NOTICE 1			1	
66	90461-08113	CLAMP	3	3	3	
67	97707-50014	SCREW, TRUSS HEAD TAPPING	2	2	2	
68	90201-043H7	WASHER, PLATE	4	4	4	
69	8AT-2199H-00	SHIELD, HEAT	1	1	1	
70	8AT-77196-00	DAMPER, SHROUD	1	1	1	
71	8M6-77175-00	HOLDER, LATCH	2	2	2	
72	98907-06035	SCREW, BIND	2	2	2	

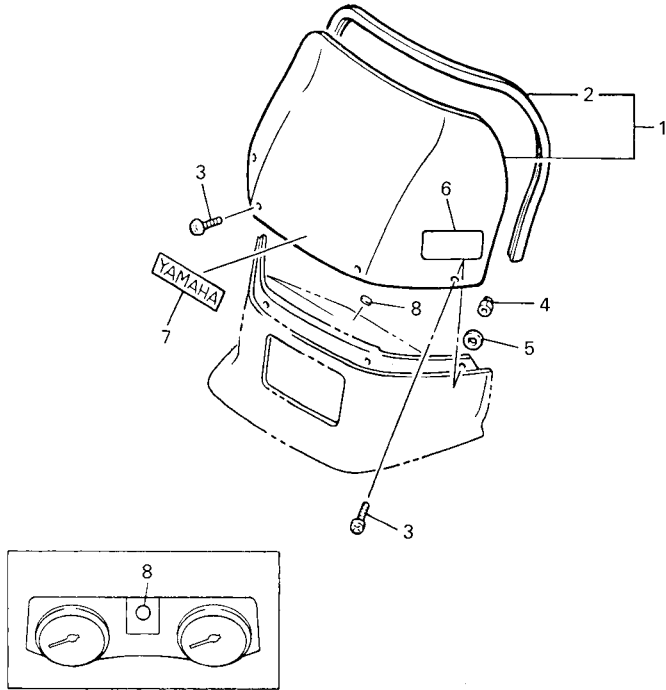
FIG. 30 EMBLEM

REF. NO.	PART NO.	DESCRIPTION	EUR	RUS	JPN	REMARKS
1	99246-00200	EMBLEM, YAMAHA	2	2	2	
2	8AC-7711A-30	GRAPHIC 1	1	1	1	UR FOR SMX
	8AC-7711A-40	GRAPHIC 1	1	1		UR FOR BWC1
3	8AC-7711B-30	GRAPHIC 2	1	1	1	UR FOR SMX
	8AC-7711B-40	GRAPHIC 2	1	1		UR FOR BWC1
4	8AC-2414B-01	EMBLEM	1	1	1	
5	8AC-7711C-00	GRAPHIC 3	1	1	1	UR FOR SMX
	8AC-7711C-10	GRAPHIC 3	1	1		UR FOR BWC1



8ACP300-H300

FIG. 31 WINDSHIELD

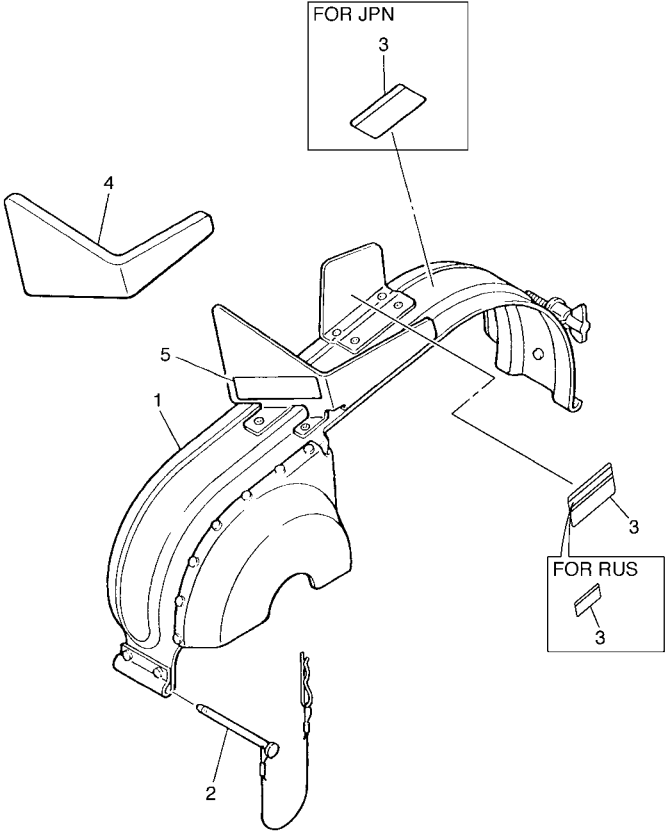


REF. NO.	PART NO.	DESCRIPTION	EUR	RUS	JPN	REMARKS
1	86V-77210-10	WINDSHIELD COMP.	1	1	1	
2	87S-77213-10	.TRIM, UPPER	1	1	1	
3	90154-05047	SCREW, BINDING	4	4	4	
4	90176-05059	NUT, CROWN	2	2	2	
5	90201-05033	WASHER, PLATE	2	2	2	
6	4B5-2815K-20	LABEL, NOTICE WINDSHIELD 1			1	
7	99246-00120	EMBLEM, YAMAHA	1	1	1	
8	4XV-2341B-00	EMBLEM	1	1	1	



8AC8100-1310

FIG. 32 GUARD & LUGGAGE BOX



REF. NO.	PART NO.	DESCRIPTION	EUR	RUS	JPN	REMARKS
1	8AT-77311-00	GUARD, DRIVE	1	1	1	
2	83R-77327-00	SHAFT	1	1	1	
3	86D-77762-00	LABEL, WARNING 2	1			
	8AC-77762-R1	LABEL, WARNING 2		1		
	8BD-77762-21	LABEL, WARNING 2			1	
4	8AT-77319-00	DAMPER 1	1	1	1	
5	8AT-1417E-00	LABEL, CAUTION	1	1		
<hr/>						
<hr/>						
<hr/>						
<hr/>						
<hr/>						
<hr/>						
<hr/>						
<hr/>						
<hr/>						
<hr/>						
<hr/>						


8ACK100-F320

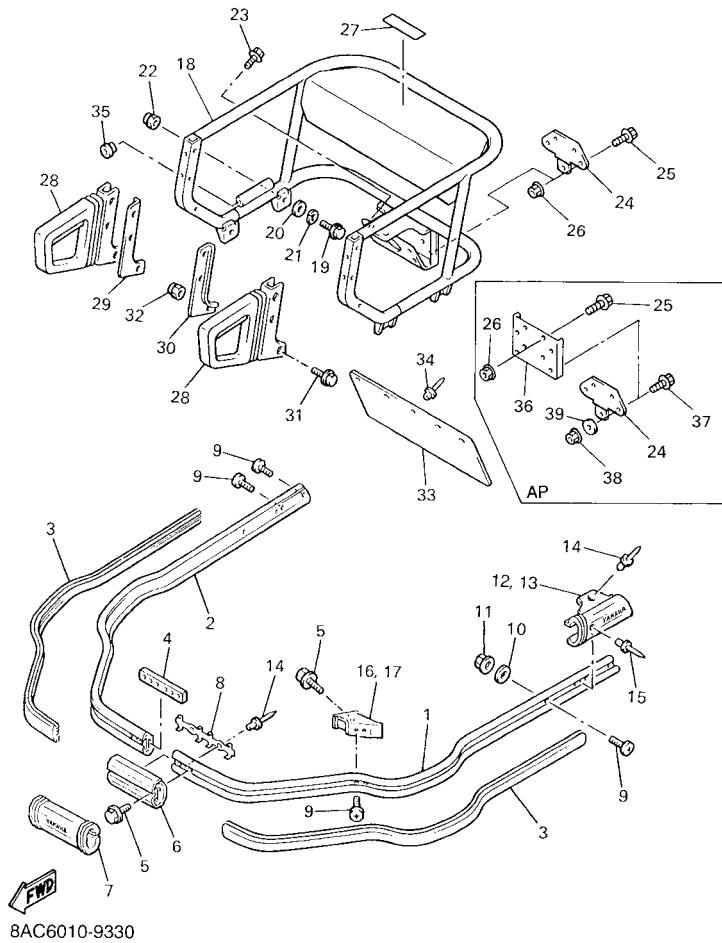


FIG. 33 BUMPER

REF. NO.	PART NO.	DESCRIPTION	EUR	RUS	JPN	REMARKS
1	8AT-77511-01	BUMPER, FRONT 1	1	1	1	
2	8AT-77512-01	BUMPER, FRONT 2	1	1	1	
3	8AT-77516-00	BUSH, RUBBER 2	2	2	2	
4	8AT-77529-00	SPACER, BUMPER	1	1	1	
5	90105-08408	BOLT, FLANGE	8	8	8	
6	8AT-77552-00	PROTECTOR 2	1	1	1	
7	8AT-77551-01	PROTECTOR 1	1	1	1	
8	8AT-77553-00	PROTECTOR 3	1	1	1	
9	90149-08230	SCREW	11	11	11	
10	92907-08200	WASHER	3	3	3	
11	95307-08600	NUT	3	3	3	
12	8AT-77521-00	STOPPER, 1	1	1	1	
13	8AT-77522-00	STOPPER 2	1	1	1	
14	90267-48018	RIVET, BLIND (4.8X18.6 BLACK)	4	4	4	
15	90267-48149	RIVET, BLIND (4.8X23.2)	2	2	2	
16	8AT-77523-00	END, BUMPER	1	1	1	
17	8AT-77524-00	END, BUMPER	1	1	1	
18	8AC-77540-00	REAR BUMPER COMP.	1	1	1	
19	95827-08014	BOLT, FLANGE	4	4	4	
20	92907-08200	WASHER	4	4	4	
21	92907-08100	WASHER, SPRING	4	4	4	
22	95307-08800	NUT	4	4	4	
23	95827-08020	BOLT, FLANGE	10	10	10	
24	84R-77592-00	BRACKET, HITCH 2	1	1	1	
25	95827-08020	BOLT, FLANGE	4	4	4	
26	95607-08200	NUT, SELF-LOCKING	4	4	4	
27	8FM-24897-11	EMBLEM	1	1		

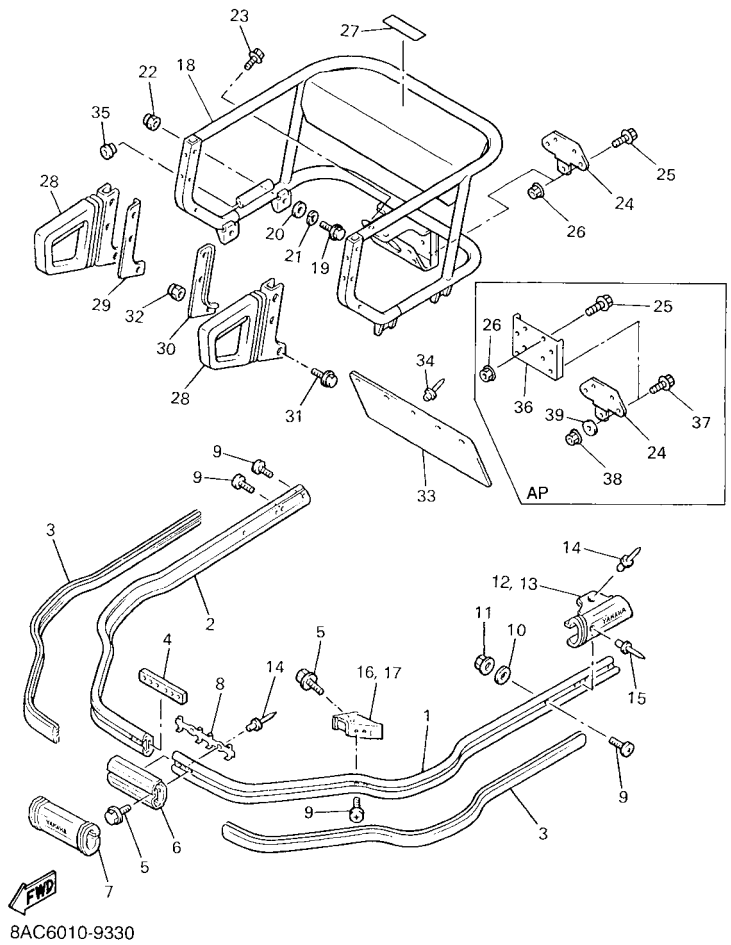


FIG. 33 BUMPER

REF. NO.	PART NO.	DESCRIPTION	EUR	RUS	JPN	REMARKS
27	4KN-24877-C0	LABEL, CAUTION			1	
28	8X0-77571-00	GRIP, ASSIST 1	2	2	2	
29	8X0-77525-00	WASHER 1	1	1	1	
30	8X0-77526-00	WASHER 2	1	1	1	
31	95807-08040	BOLT, FLANGE	6	6	6	
32	90176-08063	NUT, CROWN	6	6	6	
33	83R-77595-00	FLAP	1	1	1	
34	90267-48086	RIVET, BLIND (4.8X19 BLACK)	5	5	5	
35	90480-15268	GROMMET	2	2	2	
36	80M-77591-00	BRACKET, HITCH 1			1	AP
37	95827-08025	BOLT, FLANGE			4	AP
38	95717-08300	NUT, FLANGE			4	AP
39	92907-08600	WASHER, PLATE			4	AP

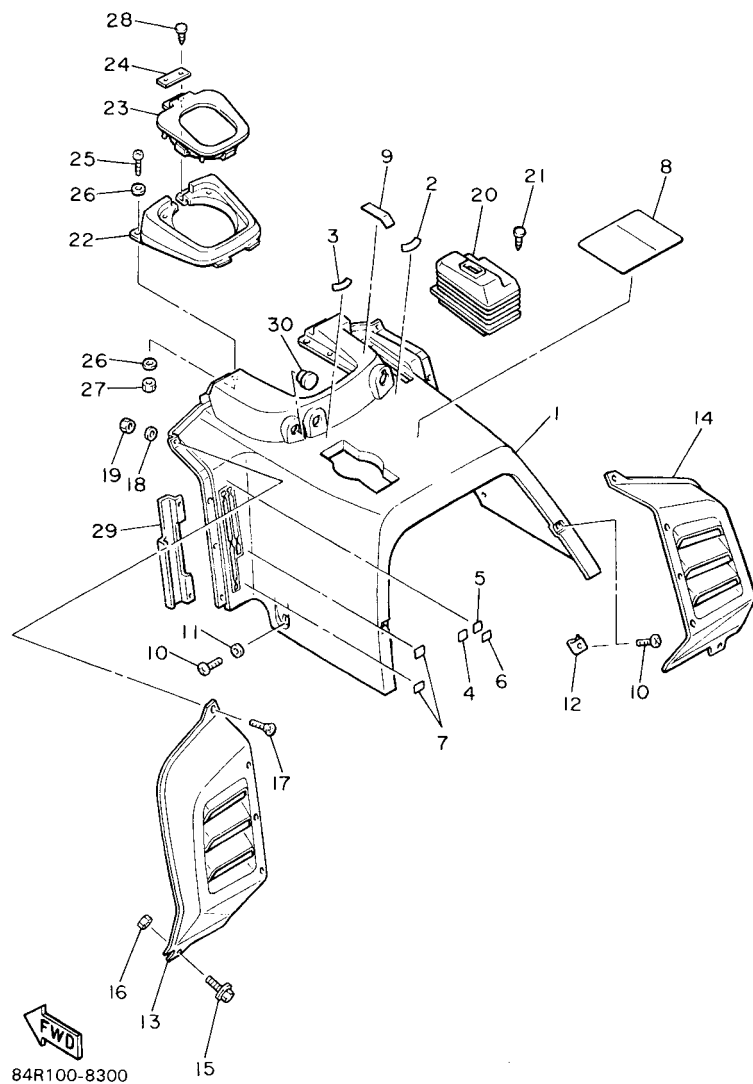
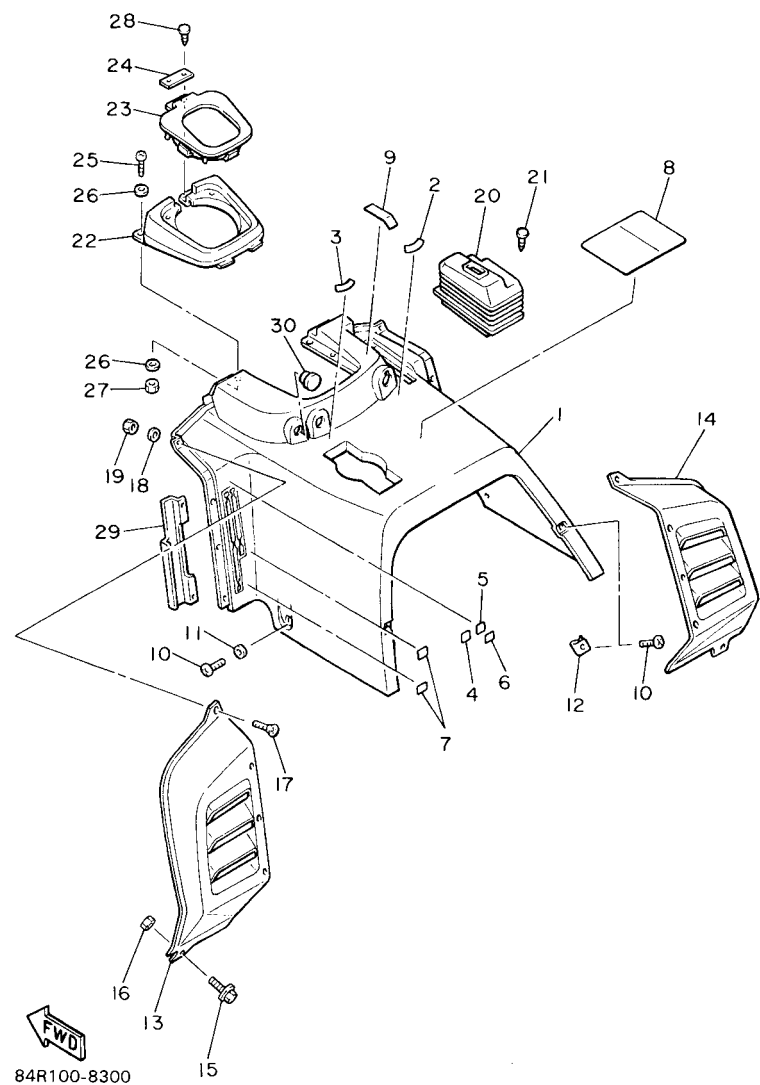


FIG. 34 INSTRUMENT PANEL

REF. NO.	PART NO.	DESCRIPTION	EUR	RUS	JPN	REMARKS
1	86V-77711-00	PANEL, INSTRUMENT	1	1	1	
2	8V0-77741-20	INDICATOR 1	1	1	1	
3	8U9-77742-00	INDICATOR 2	1	1	1	
4	87A-77743-00	INDICATOR 3	1	1	1	
5	87A-77742-00	INDICATOR 2	1	1	1	
6	87A-77741-00	INDICATOR 1	1	1	1	
7	87A-77745-00	INDICATOR 5	2	2	2	
8	8AC-77761-10	LABEL, WARNING 1	1			
	8AC-77761-R1	LABEL, WARNING 1		1		
	8AC-77761-00	LABEL, WARNING 1			1	
9	83R-77741-00	INDICATOR 1	1	1	1	
10	98907-06016	SCREW, BIND	4	4	4	
11	90387-060U0	COLLAR	2	2	2	
12	83R-77144-00	NUT	2	2	2	
13	83R-77131-01	LOUVER 1	1	1	1	
14	83R-77132-01	LOUVER 2	1	1	1	
15	95807-06016	BOLT, FLANGE	2	2	2	
16	95707-06300	NUT, NYLON	2	2	2	
17	98707-04016	SCREW, FLAT HEAD	7	7	7	
18	90201-047A2	WASHER, PLATE	5	5	5	
19	95707-04300	NUT, FLANGE	5	5	5	
20	83R-77731-00	SHIELD 1	1	1	1	
21	90269-05055	RIVET	4	4	4	
22	83R-77712-00	PANEL, INSTRUMENT	1	1	1	
23	83R-77740-00	GROMMET, INSTRUMENT PANEL	1	1	1	
24	83R-77728-00	WASHER	1	1	1	
25	98907-05016	SCREW, BIND	2	2	2	

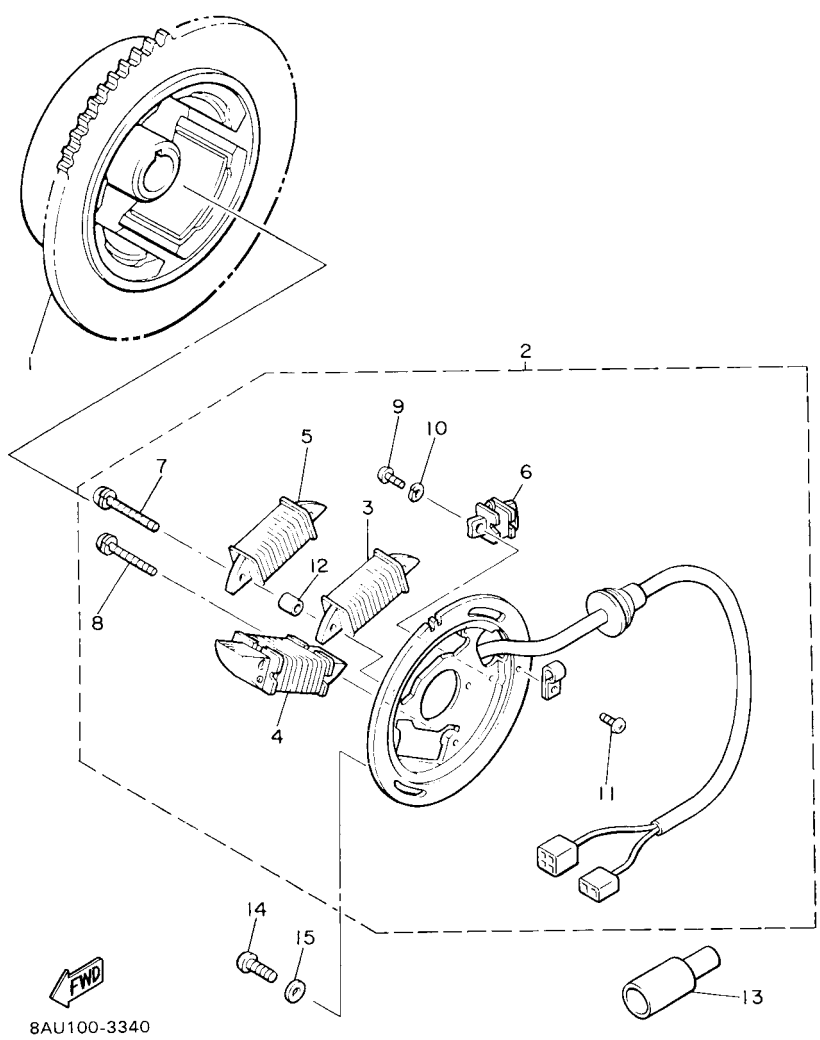
FIG. 34 INSTRUMENT PANEL



REF. NO.	PART NO.	DESCRIPTION	EUR	RUS	JPN	REMARKS
26	90201-054K4	WASHER, PLATE	4	4	4	
27	95707-05300	NUT, FLANGE	2	2	2	
28	90269-05055	RIVET	2	2	2	
29	83R-2419A-00	HOLDER	1	1	1	
30	90480-12012	GROMMET	1	1	1	

FIG. 35 GENERATOR

REF. NO.	PART NO.	DESCRIPTION	EUR	RUS	JPN	REMARKS
1	8AT-85550-01	ROTOR ASSY	1	1	1	
2	8AT-85560-00	BASE ASSY	1	1	1	
3	81L-85520-M0	.COIL, CHARGE	1	1	1	
4	81L-81313-M0	.COIL, LIGHTING 1	1	1	1	
5	81L-81314-M0	.COIL, LIGHTING 2	1	1	1	
6	8R4-85580-M0	.COIL, PULSER	1	1	1	
7	90159-05130	.SCREW, WITH WASHER	2	2	2	
8	90159-05129	.SCREW, WITH WASHER	2	2	2	
9	98502-04012	.SCREW, PAN HEAD	2	2	2	
10	92902-04100	.WASHER, SPRING	3	3	3	
11	98502-04008	.SCREW, PAN HEAD	1	1	1	
12	90387-06299	.COLLAR	2	2	2	
13	8Y0-82599-00	COVER, CONNECTER	1	1	1	
14	98907-06016	SCREW, BIND	2	2	2	
15	90201-06043	WASHER, PLATE	2	2	2	



8AU100-3340



8AC6100-9360

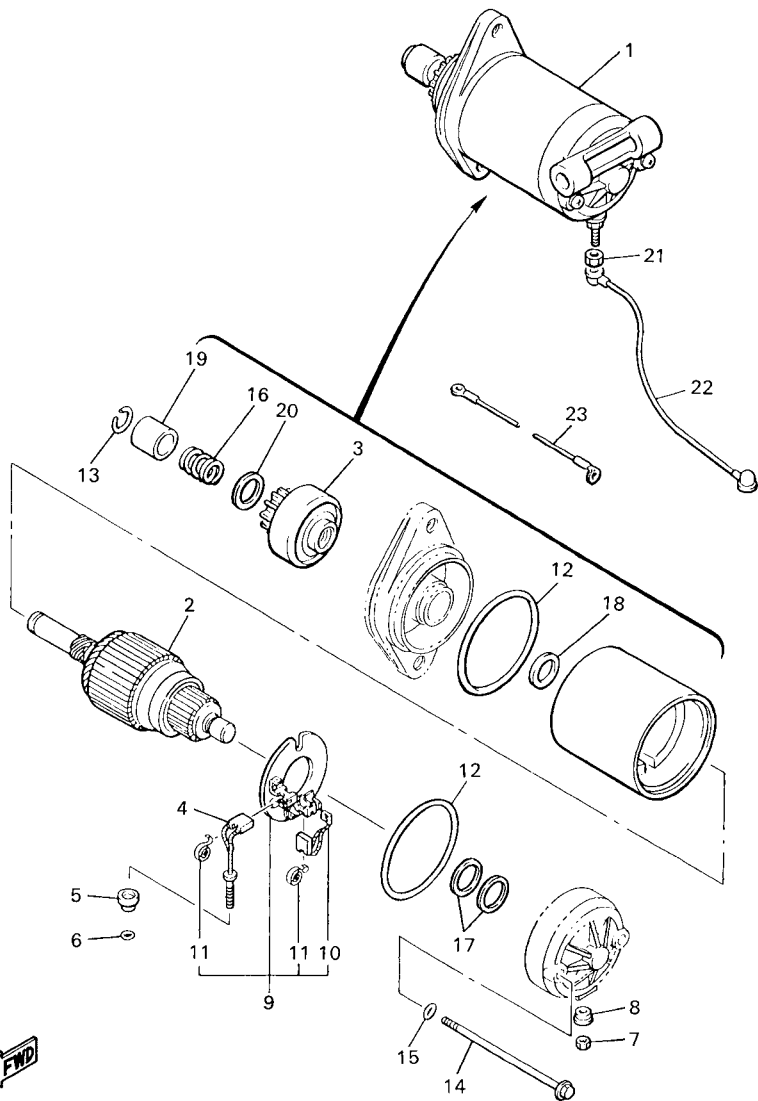
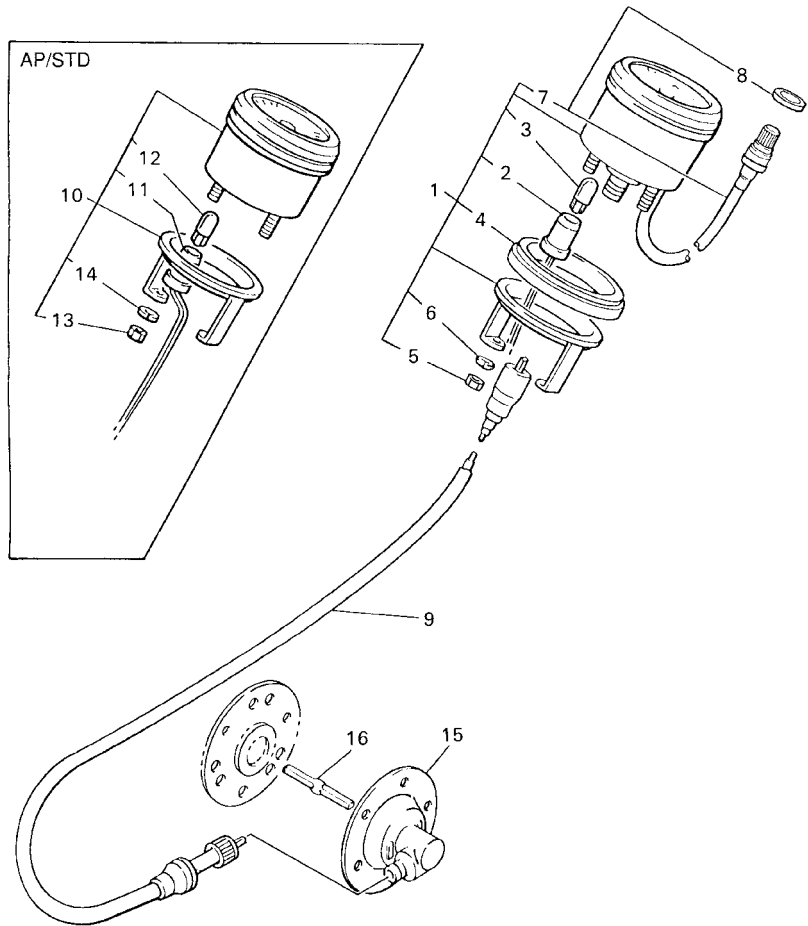


FIG. 36 STARTING MOTOR

REF. NO.	PART NO.	DESCRIPTION	EUR	RUS	JPN	REMARKS
1	8BB-81800-01	STARTING MOTOR ASSY	1	1	1	
2	8Y3-81850-50	.ARMATURE ASSY	1	1	1	
3	84N-81832-51	.CLUTCH, OVER RUN	1	1	1	
4	73A-81811-00	.BRUSH 1	1	1	1	
5	73A-81829-50	.GROMMET	1	1	1	
6	73A-81847-00	.O-RING	1	1	1	
7	4H7-81872-00	.NUT, SPECIAL	1	1	1	
8	73A-81829-00	.GROMMET	1	1	1	
9	8L6-81840-50	.BRUSH HOLDER ASSY	1	1	1	
10	84N-81812-00	..BRUSH 2	1	1	1	
11	8L6-81813-50	..SPRING, BRUSH	2	2	2	
12	4H7-81844-50	.O-RING	2	2	2	
13	8L6-81834-50	.RING	1	1	1	
14	84N-81826-00	.BOLT	2	2	2	
15	8L6-81847-50	.O-RING	2	2	2	
16	8BB-81836-00	.SPRING, LEVER	1	1	1	
17	4H7-81843-50	.WASHER 1	2	2	2	
18	8L6-81835-50	.WASHER 2	1	1	1	
19	8L6-81833-50	.RING, STOP	1	1	1	
20	8BB-8185A-00	.WASHER, PLATE	1	1	1	
21	95307-06600	NUT	1	1	1	
22	83R-82117-01	WIRE, LEAD	1	1	1	
23	88N-82116-00	WIRE, MINUS LEAD	1	1	1	



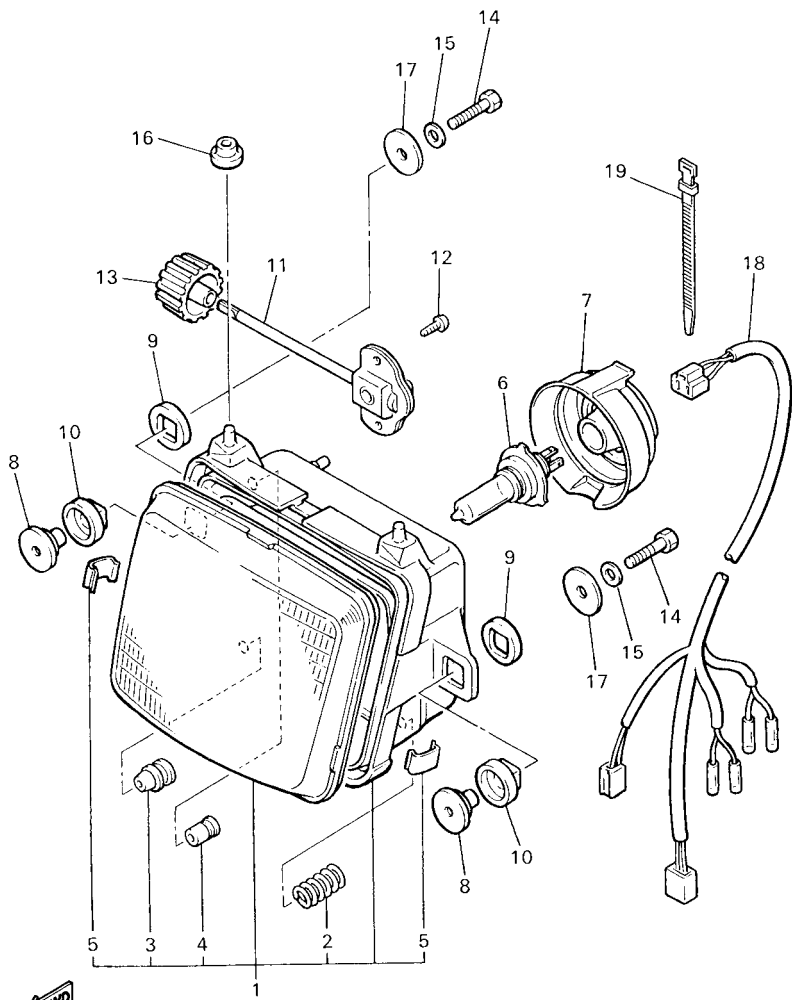
8AC7100-0371

FIG. 37 METER

REF. NO.	PART NO.	DESCRIPTION	EUR	RUS	JPN	REMARKS
1	86V-83510-20	SPEEDOMETER ASSY (KM/H)	1	1	1	
2	8V7-83536-40	.SOCKET, METER	1	1	1	
3	4R0-83517-00	.BULB (12V-3.4W T10)	1	1	1	
4	8G6-83523-00	.DAMPER	1	1	1	
5	95302-05600	.NUT	2	2	2	
6	92902-05100	.WASHER, SPRING	2	2	2	
7	8K1-83603-01	.TRIP METER CABLE ASSY	1	1	1	
8	8K1-8366W-00	.NUT	1	1	1	
9	8H4-83560-00	METER CABLE ASSY	1	1	1	
10	85L-83540-00	TACHOMETER ASSY	1	1		AP
	85L-83540-00	TACHOMETER ASSY			1	STD
11	85L-83509-00	.SOCKET CORD ASSY	1	1		AP
	85L-83509-00	.SOCKET CORD ASSY			1	STD
12	4R0-83517-00	.BULB (12V-3.4W T10)	1	1		AP
	4R0-83517-00	.BULB (12V-3.4W T10)			1	STD
13	95380-05600	.NUT	4	4		AP
	95380-05600	.NUT			4	STD
14	92990-05100	.WASHER, SPRING	4	4		AP
	92990-05100	.WASHER, SPRING			4	STD
15	83R-47700-00	METER GEAR HOUSING COMP.	1	1	1	
16	8K4-47715-00	JOINT	1	1	1	

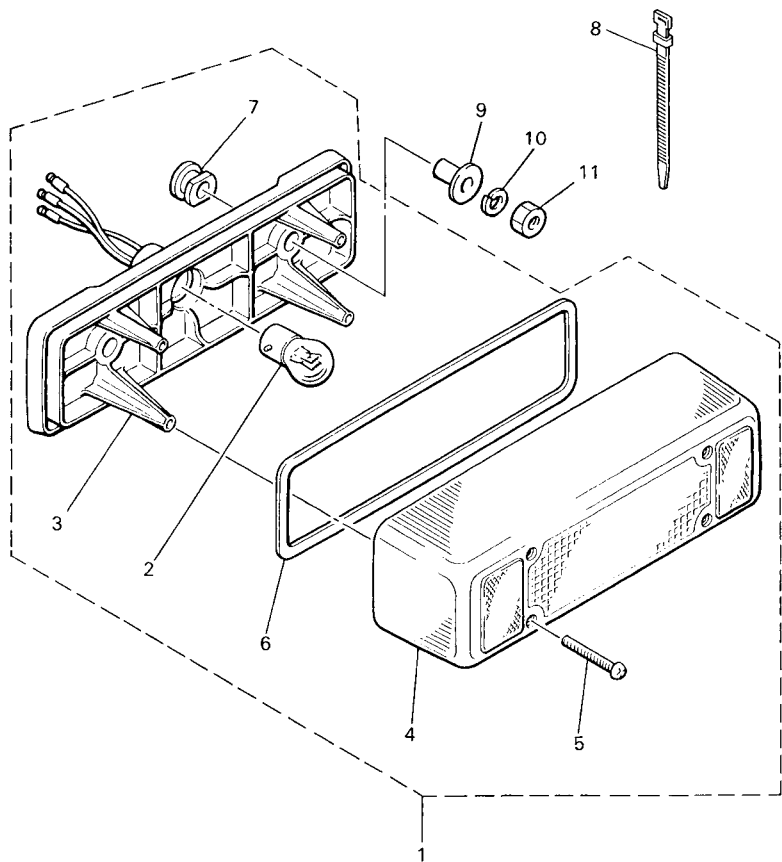
FIG. 38 HEADLIGHT

REF. NO.	PART NO.	DESCRIPTION	EUR	RUS	JPN	REMARKS
1	83R-8430A-G0	HEAD LIGHT UNIT ASSY	1	1		
	84R-8430A-A0	HEAD LIGHT UNIT ASSY			1	
2	51L-84332-00	.SPRING, SCREW	1	1	1	
3	51L-8431U-00	.HOLDER	1	1	1	
4	51L-84334-00	.NUT, ADJUSTING	2	2	2	
5	36Y-84324-00	.SPRING, REFLECTOR	3	3	3	
6	2F9-84314-00	BULB (12V-60/55W)	1	1	1	(H4)HALOGEN
7	36Y-84397-00	COVER, SOCKET	1	1	1	
8	498-84145-60	COLLAR, BODY FITTING	2	2	2	
9	498-84164-60	DAMPER	2	2	2	
10	498-84163-60	DAMPER	2	2	2	
11	83R-8430M-00	GEAR UNIT ASSY	1	1	1	
12	97707-40616	SCREW, TAPPING	2	2	2	
13	26H-8432M-00	KNOB ASSY	1	1	1	
14	97007-08040	BOLT	2	2	2	
15	92907-08600	WASHER, PLATE	2	2	2	
16	36Y-84354-00	GROMMET	2	2	2	
17	90201-08766	WASHER, PLATE	2	2	2	
18	8AT-84359-00	CORD, HEADLIGHT	1	1	1	
19	437-83936-01	BAND, SWITCH CORD	1	1	1	



8AC4100-7380

FIG. 39 TAILLIGHT



8AC6100-9390

REF. NO.	PART NO.	DESCRIPTION	EUR	RUS	JPN	REMARKS
1	8K4-84710-00	TAILLIGHT UNIT ASSY	1	1	1	
2	838-84714-01	.BULB (12V-23/8W)	1	1	1	
3	8K4-84711-00	.BASE, TAILLIGHT	1	1	1	
4	8K4-84721-00	.LENS, TAILLIGHT	1	1	1	
5	97701-40130	.SCREW, PANHEAD TAPPING	4	4	4	
6	87M-84723-00	.GASKET, TAIL LENS	1	1	1	
7	8K4-84718-00	.GROMMET	2	2	2	
8	90465-10098	CLAMP	1	1	1	
9	90387-066N1	COLLAR	2	2	2	
10	92907-06100	WASHER, SPRING	2	2	2	
11	95307-06600	NUT	2	2	2	

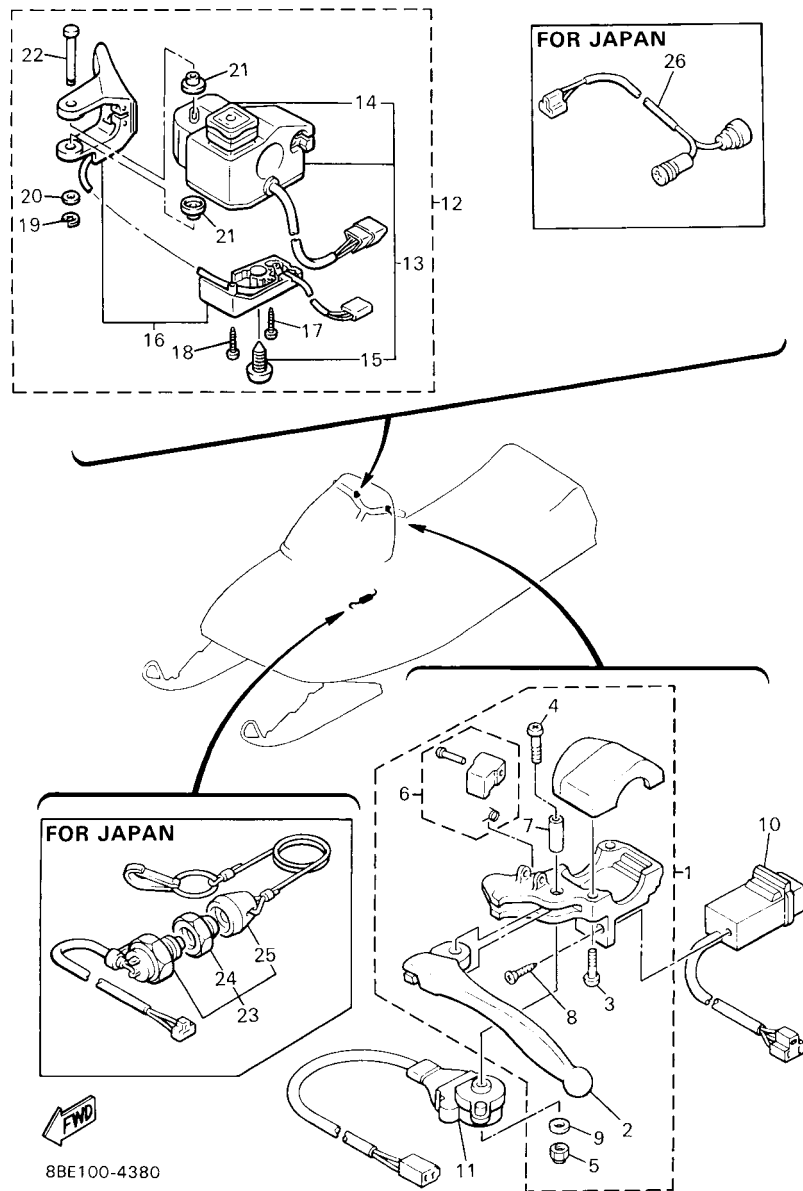
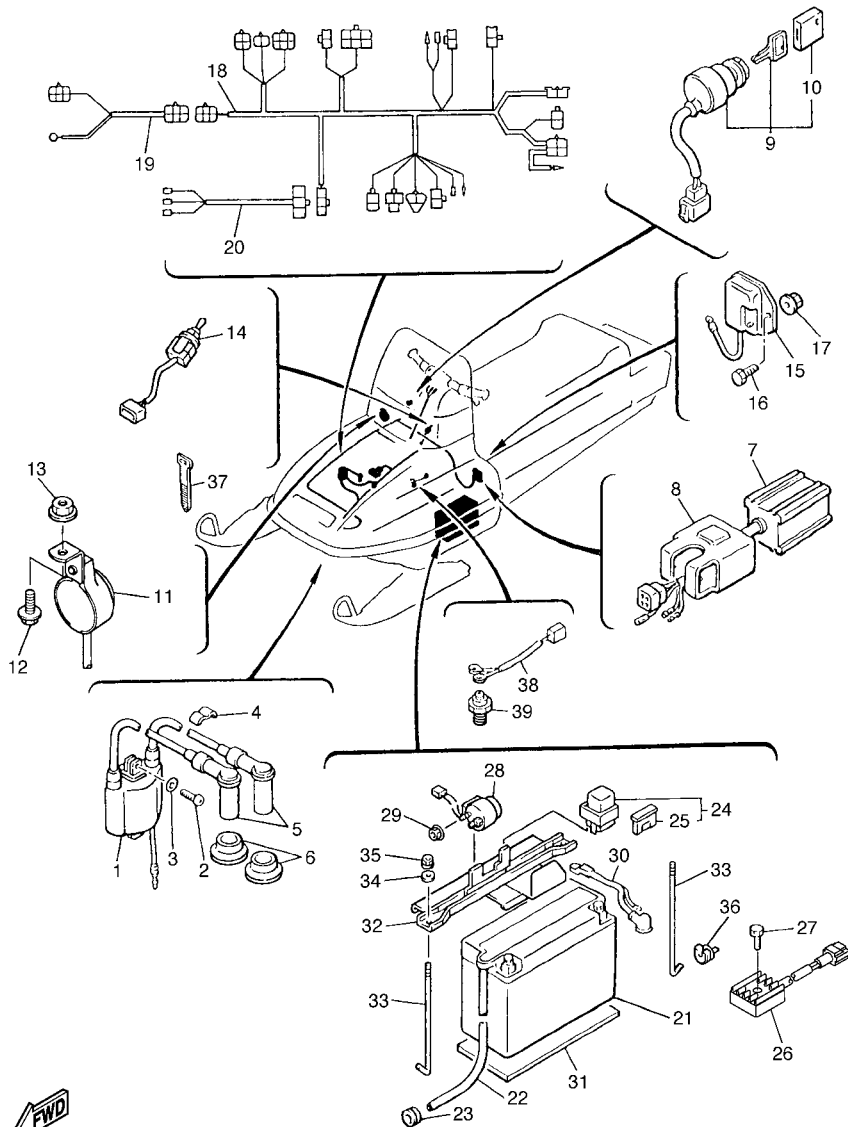


FIG. 40 HANDLE SWITCH & LEVER

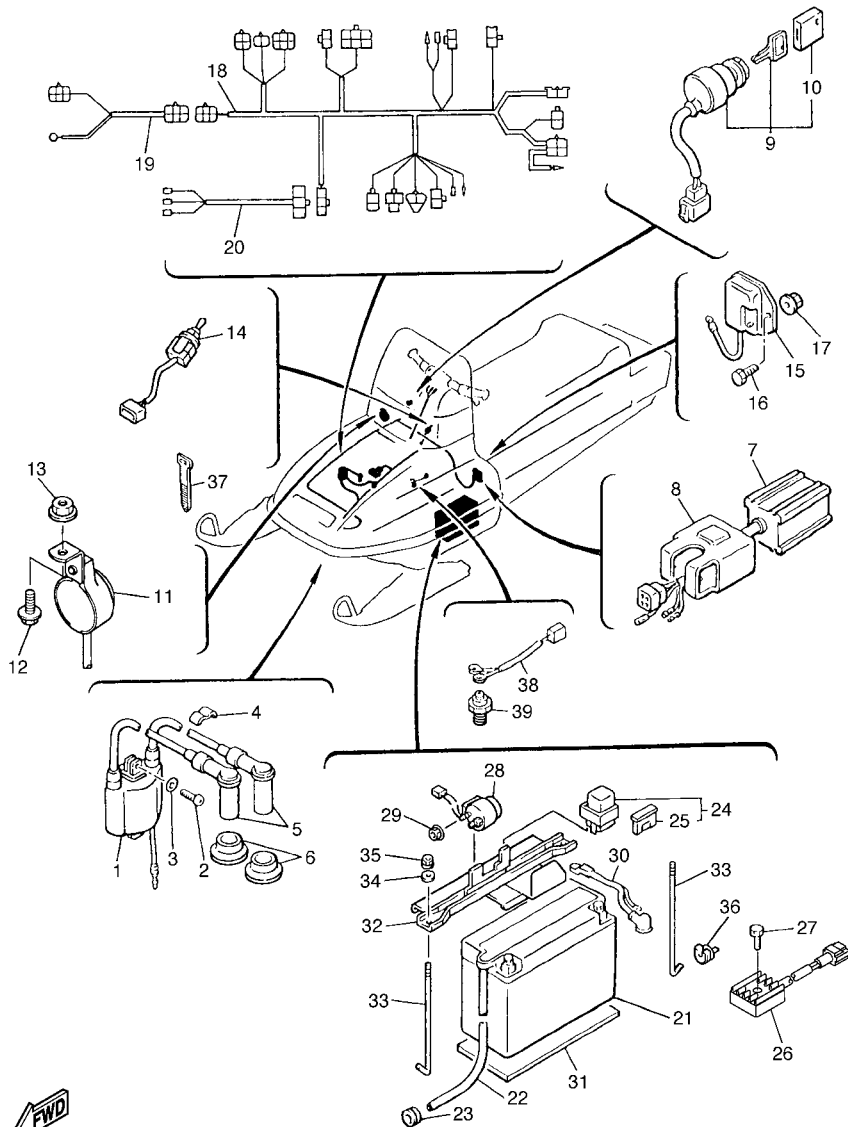
REF. NO.	PART NO.	DESCRIPTION	EUR	RUS	JPN	REMARKS
1	88R-W8291-00	LEVER HOLDER ASSY (LEFT)	1	1	1	
2	8H8-83912-00	.LEVER 1	1	1	1	
3	90157-05027	.SCREW, PAN HEAD	2	2	2	
4	8R4-82113-00	.SCREW	1	1	1	
5	95702-05300	.NUT, NYLON	1	1	1	
6	8K4-W8393-00	.LEVER LOCK ASSY	1	1	1	
7	802-83913-00	.COLLAR, LEVER 1	1	1	1	
8	8R4-8252V-00	.SCREW, SPECIAL	1	1	1	
9	92902-05200	.WASHER	1	1	1	
10	8K4-83950-01	BEAM SWITCH ASSY	1	1	1	
11	88R-82530-00	STOP SWITCH ASSY	1	1	1	
12	8AU-82720-02	LEVER HOLDER ASSY (RIGHT)	1	1	1	
13	8AU-83963-00	.SWITCH, HANDLE 3 (RIGHT)	1	1	1	
14	8AU-82575-09	..ENGINE STOP SWITCH ASSY	1	1	1	WIRE/L=240MM
15	8R6-83928-00	..SCREW	1	1	1	
16	8AU-82970-02	.THUMB WARMER ASSY	1	1	1	
17	97706-30620	.SCREW, TAPPING	1	1	1	
18	97706-30630	.SCREW, TAPPING	1	1	1	
19	99001-04600	.CIRCLIP	1	1	1	
20	85G-83663-00	.WASHER, SPECIAL	1	1	1	
21	85G-83956-00	.CAP 1	2	2	2	
22	88T-8399F-00	.SHAFT	1	1	1	
23	8H8-82550-01	ENGINE STOP SWITCH ASSY			1	AP
24	8H8-82557-00	.NUT			1	AP
25	8H7-82552-01	.CAP, SWITCH			1	AP
26	89L-82318-00	WIRE, SUB-LEAD			1	AP



8ACF100-D410

FIG. 41 ELECTRICAL 1

REF. NO.	PART NO.	DESCRIPTION	EUR	RUS	JPN	REMARKS
1	88T-82310-01	IGNITION COIL ASSY	1	1	1	
2	97880-06020	SCREW, PAN HEAD	2	2	2	
3	92990-06600	WASHER, PLATE	2	2	2	
4	861-82361-00	CLAMP, CORD	1	1	1	
5	8K1-82370-20	PLUG CAP ASSY (WITH RESISTOR)	2	2	2	
6	8G5-82372-00	SEAL, PLUG CAP	2	2	2	
7	8AU-85540-00	C.D.I. UNIT ASSY	1	1	1	
8	2A7-85546-00	BAND	1	1	1	
9	8K1-82510-20	MAIN SWITCH ASSY	1	1	1	
10	526-82579-00	.CAP, KEY	2	2	2	
11	87L-83383-01	BUZZER	1	1	1	
12	95827-06016	BOLT, FLANGE	1	1	1	
13	95607-06200	NUT, SELF U-FLANGE	1	1	1	
14	8BE-82917-00	SWITCH	1	1	1	
15	82M-81910-A0	VOLTAGE REGULATOR ASSY	1	1	1	
16	97007-06014	BOLT	1	1	1	
17	95707-06300	NUT, NYLON	1	1	1	
18	8AC-82590-10	WIRE HARNESS ASSY	1	1	1	
19	8AC-82509-00	WIRE, SUB LEAD	1	1	1	
20	8AC-84717-01	CORD, TAILLIGHT	1	1	1	
21	5E3-82110-81	BATTERY ASSY (YUASA YB16AL-A2)	1	1		
	90793-26072	BATTERY ASSY (YUASA YB16AL-A2)			1	
22	8AC-8235W-00	PIPE	1	1	1	
23	90480-12314	GROMMET	1	1	1	
24	8BE-82150-00	FUSE HOLDER ASSY	1	1	1	
25	42X-82151-00	.FUSE (10A-BL)	2	2	2	
26	8AC-81970-00	RECTIFIER ASSY	1	1	1	



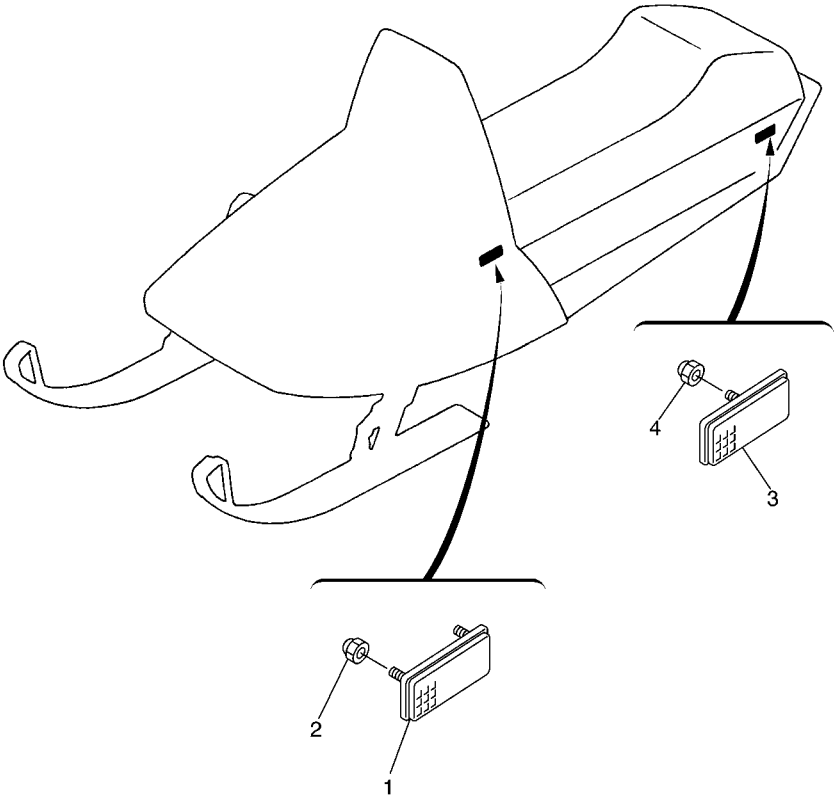
8ACF100-D410

FIG. 41 ELECTRICAL 1

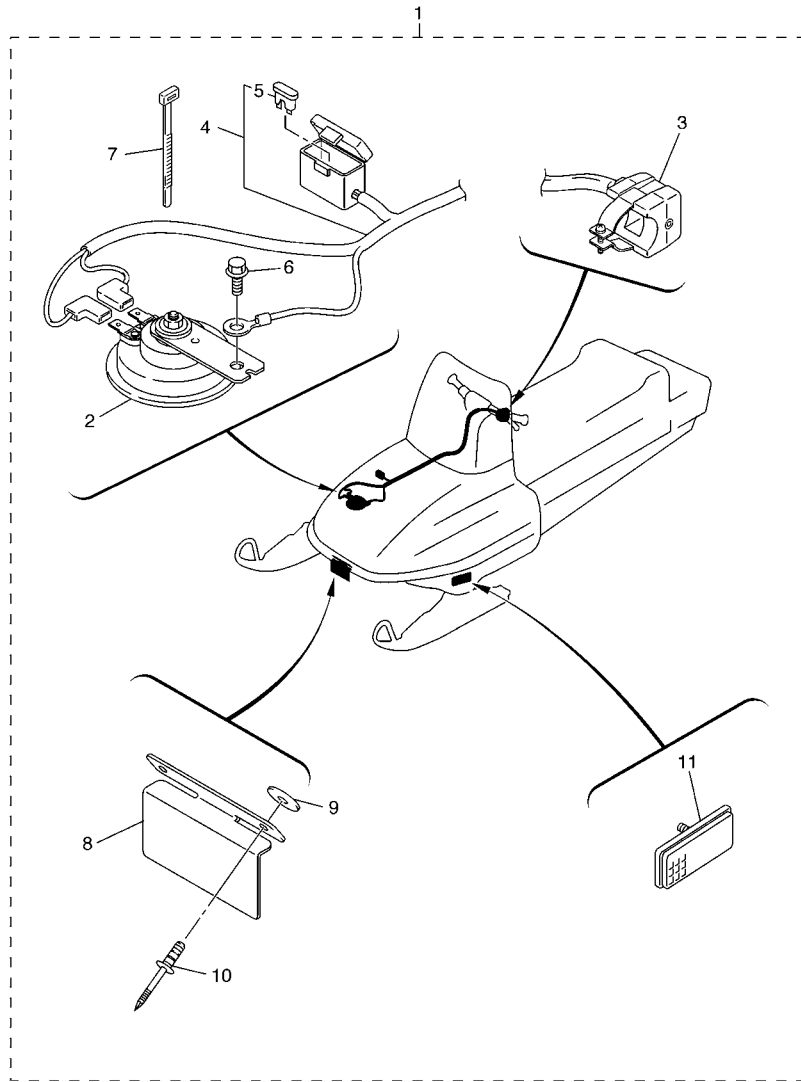
REF. NO.	PART NO.	DESCRIPTION	EUR	RUS	JPN	REMARKS
27	95807-06020	BOLT, FLANGE	1	1	1	
28	50W-81940-10	STARTER RELAY ASSY	1	1	1	
29	95707-06500	NUT, FLANGE	2	2	2	
30	88N-82115-00	WIRE, PLUS LEAD	1	1	1	
31	84N-82122-00	SEAT, BATTERY	1	1	1	
32	8AC-82136-10	PLATE, BATTERY FITTING	1	1	1	
33	8Y7-82133-00	SCREW, FITTING	2	2	2	
34	92907-06600	WASHER, PLATE	2	2	2	
35	95707-06300	NUT, NYLON	2	2	2	
36	8AC-82355-00	GROMMET	1	1	1	
37	341-26397-01	BAND	1	1	1	
38	87L-82318-00	WIRE, SUB-LEAD	1	1	1	
39	4KD-82540-00	NEUTRAL SWITCH ASSY	1	1	1	

FIG. 42 ELECTRICAL 2

REF. NO.	PART NO.	DESCRIPTION	EUR	RUS	JPN	REMARKS
1	86R-85110-00	REFLECTOR ASSY	2	2	2	
2	95607-05200	NUT, U FLANGE	4	4	4	
3	8GM-85110-00	REFLECTOR ASSY	2	2	2	
4	95702-05500	NUT, WITH WASHER	2	2	2	



8ACL100-G420



8ACL100-G430

FIG. 43 ELECTRICAL 3

REF. NO.	PART NO.	DESCRIPTION	EUR	RUS	JPN	REMARKS
1	8AC-833A0-00	HORN KIT	1			FOR FINLAND
2	3MX-83371-11	.HORN	1			FOR FINLAND
3	8FR-83976-01	.SWITCH, HANDLE 1	1			FOR FINLAND
4	8AC-82509-10	.WIRE, SUB LEAD	1			FOR FINLAND
5	5JJ-82151-50	..FUSE (3A-BL)	1			FOR FINLAND
6	95822-06016	.BOLT, FLANGE	1			FOR FINLAND
7	437-83936-01	.BAND, SWITCH CORD	1			FOR FINLAND
8	8GU-21641-00	.BRACKET, REFLECTOR	1			FOR FINLAND
9	90201-05036	.WASHER, PLATE	2			FOR FINLAND
10	90267-47186	.RIVET, BLIND (4.7X16.4 BLACK)	2			FOR FINLAND
11	8GM-85110-00	.REFLECTOR ASSY	2			FOR FINLAND

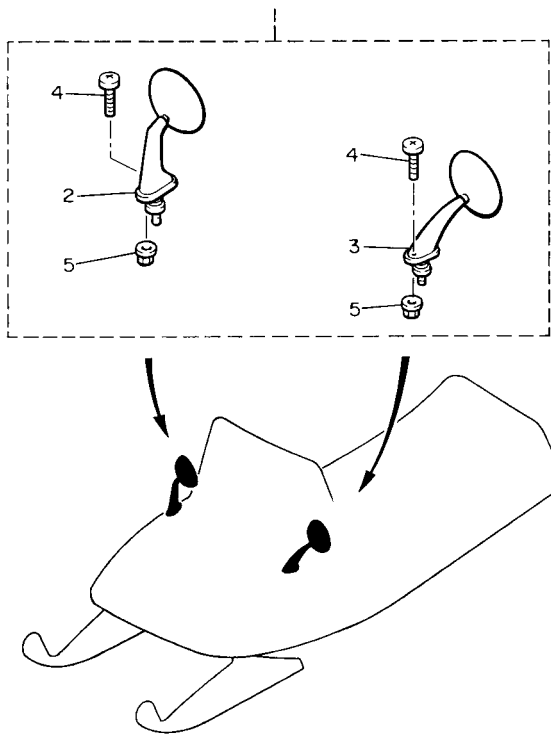
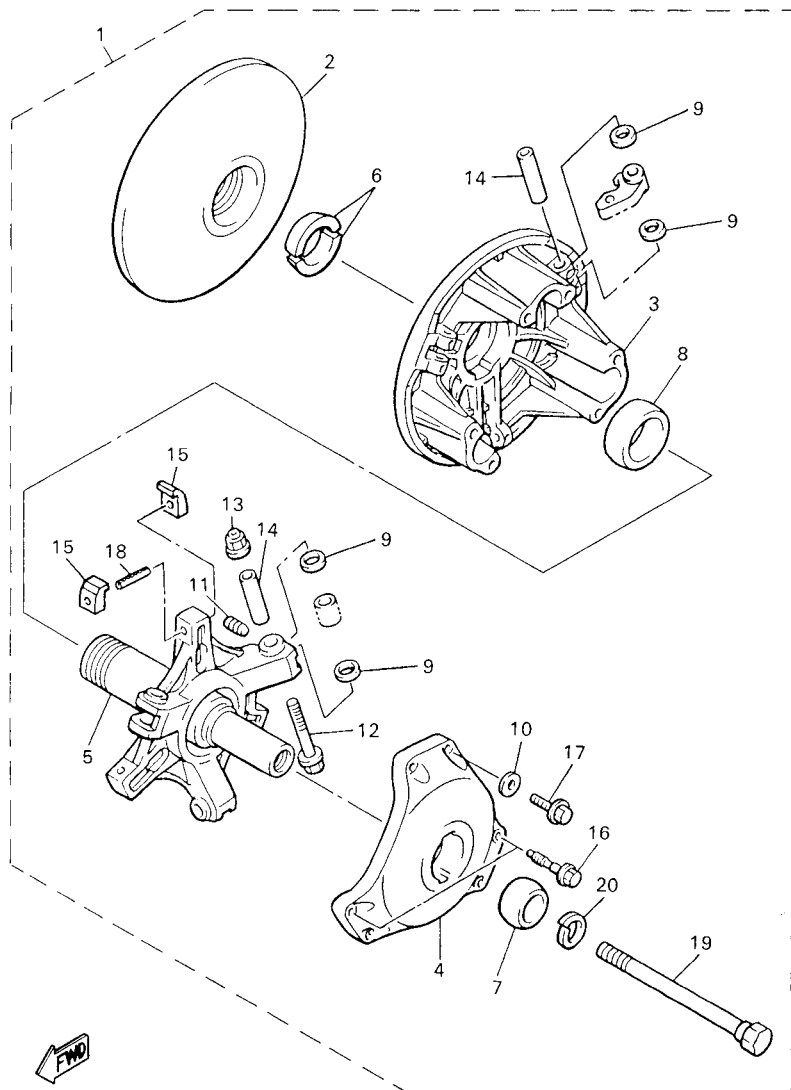


FIG. 44 ALTERNATE REAR VIEW MIRROR

REF. NO.	PART NO.	DESCRIPTION	EUR	RUS	JPN	REMARKS
1	8E1-W2628-00	REAR VIEW MIRROR SET	1	1	1	AP
2	8E1-26280-00	.REAR VIEW MIRROR ASSY (RIGHT)	1	1	1	
3	8E1-26290-00	.REAR VIEW MIRROR ASSY (LEFT)	1	1	1	
4	98507-04016	.SCREW, PAN HEAD	4	4	4	
5	95707-04500	.NUT, FLANGE	4	4	4	



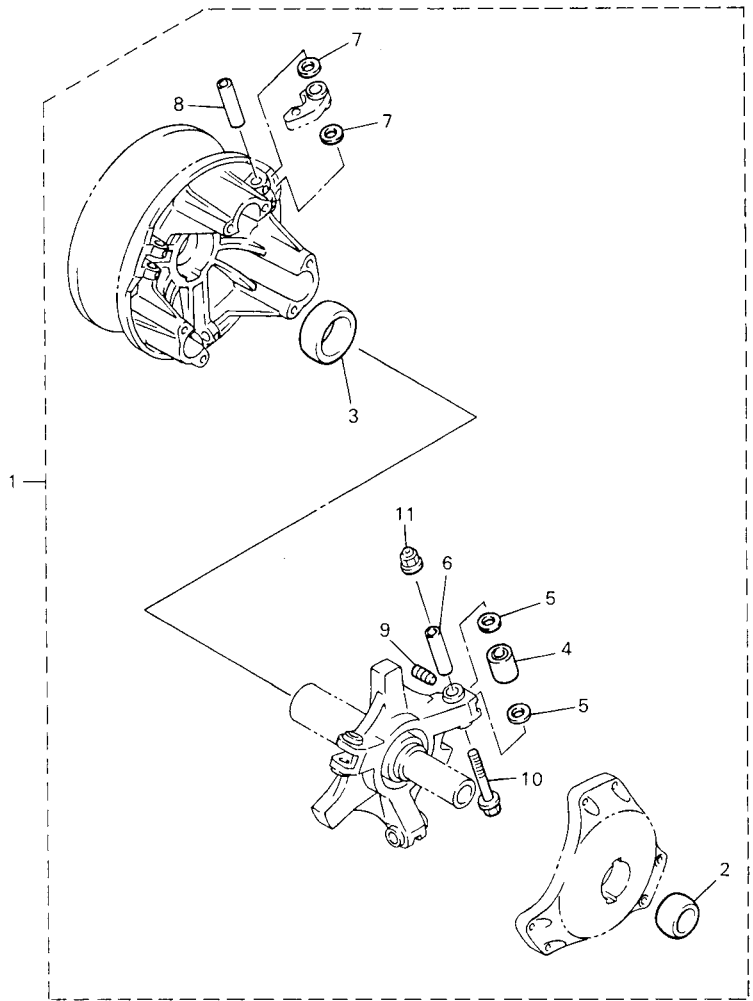
88U100-1401



8AC8100-1440

FIG. 45 ALTERNATE REBUILD KIT

REF. NO.	PART NO.	DESCRIPTION	EUR	RUS	JPN	REMARKS
1	8AC-17601-09	CLUTCH REPAIR KIT	1	1	1	AP
2	88R-17611-02	.SHEAVE, PRIMARY FIXED	1	1	1	
3	89F-17621-00	.SHEAVE, PRIMARY SLIDING	1	1	1	
4	88R-17631-01	.CAP	1	1	1	
5	8BW-17640-11	.SPIDER COMPLETE	1	1	1	
6	8V0-17639-00	.STOPPER	2	2	2	
7	90389-28032	.BUSH	1	1	1	
8	90389-41031	.BUSH	1	1	1	
9	90202-08204	.WASHER, PLATE	12	12	12	
10	92907-06600	.WASHER, PLATE	4	4	4	
11	90113-05053	.BOLT, SET	6	6	6	
12	90105-05644	.BOLT, FLANGE	3	3	3	
13	95607-05200	.NUT, U FLANGE	3	3	3	
14	90387-0501R	.COLLAR	6	6	6	
15	8BW-17653-00	.SLIDER	6	6	6	
16	90109-066F4	.BOLT	2	2	2	
17	97017-06030	.BOLT	4	4	4	
18	91609-50032	.PIN, SPRING	3	3	3	
19	8V0-17647-00	.BOLT (L=156.5MM)	1	1	1	
20	92907-16100	.WASHER	1	1	1	



FWD
8BM8100-1450

FIG. 46 ALTERNATE CLUTCH TUNE UP KIT

REF. NO.	PART NO.	DESCRIPTION	EUR	RUS	JPN	REMARKS
1	88R-00000-51	CLUTCH TUNE-UP KIT (R)	1	1	1	AP
2	90389-28032	.BUSH	1	1	1	
3	90389-41031	.BUSH	1	1	1	
4	88R-17624-01	.ROLLER, COMP	3	3	3	
5	90202-08204	.WASHER, PLATE	6	6	6	
6	90387-0501R	.COLLAR	3	3	3	
7	90202-08204	.WASHER, PLATE	6	6	6	
8	90387-0501R	.COLLAR	3	3	3	
9	90113-05053	.BOLT, SET	6	6	6	
10	90105-05644	.BOLT, FLANGE	3	3	3	
11	95607-05200	.NUT, U FLANGE	3	3	3	

NUMERICAL INDEX

PART NO.	REF. NO.	PART NO.	REF. NO.	PART NO.	REF. NO.	PART NO.	REF. NO.	PART NO.	REF. NO.	PART NO.	REF. NO.
87R-25722-00	21 - 13	8AC-47341-00	24 - 9	88N-47591-00	28 - 18	8AT-77262-00	29 - 4	87A-77743-00	34 - 4	8AC-82355-00	41 - 36
87R-25726-01	21 - 4	8AC-47349-00	24 - 93	85R-47592-00	28 - 22	8AT-77263-00	29 - 5	87A-77745-00	34 - 7	8AC-8235W-00	41 - 22
87R-25730-01	21 - 2	8AC-47366-00	24 - 77	83R-47612-00	27 - 42	8AT-77264-00	29 - 6	8AC-77761-00	34 - 8	861-82361-00	41 - 4
86M-25733-00	21 - 14	8DF-47367-00	24 - 90	83R-47613-00	27 - 39	8AT-77265-00	29 - 7	8AC-77761-10	34 - 8	8K1-82370-20	41 - 5
86M-25738-00	21 - 3	8AC-47411-10	24 - 1	88N-47631-00	12 - 12	8AC-77266-00	29 - 8	8AC-77761-R1	34 - 8	8G5-82372-00	41 - 6
87R-25743-00	21 - 12	8AC-47414-10	24 - 2	83R-47700-00	37 - 14	8AT-77267-00	29 - 9	86D-77762-00	32 - 3	8AC-82509-00	41 - 19
86M-25744-00	21 - 16	8AC-47416-01	24 - 39	8K4-47715-00	37 - 15	8AT-77268-00	29 - 10	8BD-77762-21	32 - 3	8AC-82509-10	43 - 4
86M-25771-00	21 - 7	8AC-47417-00	24 - 54	8AC-77111-40	29 - 1	8AT-77269-00	29 - 11	8AC-77762-R1	32 - 3	8K1-82510-20	41 - 9
86M-25772-00	21 - 8	8AC-47418-00	24 - 34	8AC-77111-50	29 - 1	8AT-77271-00	15 - 36	81L-81313-M0	35 - 4	8R4-8252V-00	40 - 8
86M-25773-00	21 - 6	8CM-47419-10	23 - 2	83R-77118-01	29 - 63	8AC-77272-00	15 - 37	81L-81314-M0	35 - 5	88R-82530-00	40 - 11
89J-25811-00	21 - 18		23 - 36	8AC-7711A-30	30 - 2	8AT-77273-10	15 - 38	8BB-81800-01	36 - 1	4KD-82540-00	41 - 39
86M-25818-00	21 - 9	8AC-47421-00	24 - 3	8AC-7711A-40	30 - 2	8AT-77274-00	15 - 39	73A-81811-00	36 - 4	8H8-82550-01	40 - 23
86M-25826-00	21 - 11	8ED-47422-00	24 - 5	8AC-7711B-30	30 - 3	8AT-77275-00	15 - 40	84N-81812-00	36 - 10	8H7-82552-01	40 - 25
86M-25827-00	21 - 5	8AC-47424-00	25 - 4	8AC-7711B-40	30 - 3	8AT-77311-00	32 - 1	8L6-81813-50	36 - 11	8H8-82557-00	40 - 24
83R-25831-00	21 - 1	83R-47446-00	25 - 22	8AC-7711C-00	30 - 5	8AT-77319-00	32 - 4	84N-81826-00	36 - 14	8AU-82575-09	40 - 14
86M-25833-00	21 - 15	8CR-47448-00	24 - 22	8AC-7711C-10	30 - 5	83R-77327-00	32 - 2	73A-81829-00	36 - 8	526-82579-00	41 - 10
89J-25911-00	21 - 19	8AC-47457-00	24 - 8	8AT-77121-00	29 - 20	86V-77384-00	20 - 4	73A-81829-50	36 - 5	8AC-82590-10	41 - 18
8DX-26240-00	22 - 8	8AX-47458-00	24 - 10	8AT-77122-00	29 - 21	8AT-77511-01	33 - 1	84N-81832-51	36 - 3	8Y0-82599-00	35 - 13
8E1-26280-00	44 - 2	8AC-4745A-10	24 - 80	83R-77125-00	29 - 29	8AT-77512-01	33 - 2	8L6-81833-50	36 - 19	87S-8259A-01	7 - 29
8E1-26290-00	44 - 3	8CR-4745B-00	24 - 81	8AT-77125-00	29 - 13	83R-77515-00	29 - 37	8L6-81834-50	36 - 13	8AU-82720-02	40 - 12
83R-26311-02	22 - 1	8DF-47463-01	24 - 35	83R-77131-01	34 - 13	8AT-77516-00	33 - 3	8L6-81835-50	36 - 18	8BE-82917-00	41 - 14
8L8-26320-04	4 - 21	8DF-47464-01	24 - 36	83R-77132-01	34 - 14	8AT-77521-00	33 - 12	8BB-81836-00	36 - 16	8AU-82970-Q2	40 - 16
8U9-26325-00	22 - 6	8AC-47465-00	24 - 16	83R-77140-00	29 - 24	8AT-77522-00	33 - 13	8L6-81840-50	36 - 9	3MX-83371-11	43 - 2
83R-26331-01	22 - 4	83R-47469-00	24 - 95	83R-77144-00	29 - 44	8AT-77523-00	33 - 16	4H7-81843-50	36 - 17	87L-83383-01	41 - 11
8G8-26333-00	22 - 5	8AC-47475-00	24 - 47		34 - 12	8AT-77524-00	33 - 17	4H7-81844-50	36 - 12	8AC-833A0-00	43 - 1
87R-26340-01	22 - 3	8AC-47478-00	25 - 24	83R-7714A-00	29 - 25	8X0-77525-00	33 - 29	73A-81847-00	36 - 6	85L-83509-00	37 - 10
341-26397-01	19 - 18	8DM-47479-00	23 - 30	8AT-77153-00	29 - 16	8AT-77526-00	15 - 21	8L6-81847-50	36 - 15		37 - 10
	41 - 37	8AC-47480-40	24 - 61	8AT-77154-00	29 - 17	8X0-77526-00	33 - 30	8Y3-81850-50	36 - 2	86V-83510-20	37 - 1
85R-2639F-00	15 - 55	8AC-47480-50	24 - 61	838-77159-00	29 - 64	8AT-77527-01	15 - 19	8BB-8185A-00	36 - 20	4R0-83517-00	37 - 3
88T-27431-10	15 - 65	8AC-47481-00	24 - 28	8CR-77165-00	15 - 41	8AT-77529-00	33 - 4	4H7-81872-00	36 - 7		37 - 11
88T-27441-10	15 - 66	83R-47485-02	24 - 18	8V0-77171-00	29 - 58	8AC-77540-00	33 - 18	82M-81910-A0	41 - 15		37 - 11
85L-28100-00	15 - 70		24 - 56	8M6-77175-00	29 - 71	8AT-77551-01	33 - 7	50W-81940-10	41 - 28	8G6-83523-00	37 - 4
4B5-2815K-20	31 - 6	8AT-47486-00	23 - 11	83R-7717E-00	15 - 44	8AT-77552-00	33 - 6	8AC-81970-00	41 - 26	8V7-83536-40	37 - 2
8AC-2815P-J0	29 - 65	8AC-47488-10	24 - 40	83R-7717F-00	15 - 45	8AT-77553-00	33 - 8	5E3-82110-81	41 - 21	85L-83540-00	37 - 9
8AC-2815P-S0	29 - 65	8CR-47494-01	24 - 69	82M-7717G-00	29 - 12	8X0-77571-00	33 - 28	8R4-82113-00	40 - 4		37 - 9
8AC-4631K-00	24 - 62	8CV-47495-00	24 - 24	83R-77185-00	29 - 28	80M-77591-00	33 - 36	88N-82115-00	41 - 30	8H4-83560-00	37 - 8
8AC-47110-10	23 - 1	83R-47520-10	23 - 33	83R-77186-00	29 - 40	84R-77592-00	33 - 24	88N-82116-00	36 - 23	8K1-83603-00	37 - 7
8AC-47310-10	24 - 79		24 - 94	83R-77194-00	29 - 36	83R-77595-00	33 - 33	83R-82117-01	36 - 22	85G-83663-00	40 - 20
87M-47320-00	23 - 6	8K2-47530-00	23 - 25	8AT-77196-00	29 - 70	86V-77711-00	34 - 1	84N-82122-00	41 - 31	8H8-83912-00	40 - 2
	23 - 12	87R-47541-00	28 - 1	86V-77210-10	31 - 1	83R-77712-00	34 - 22	4J2-82131-01	15 - 3	802-83913-00	40 - 7
	23 - 40	83R-47543-00	27 - 1	83R-77212-00	29 - 49	83R-77728-00	34 - 24	8Y7-82133-00	41 - 33	8R6-83928-00	40 - 15
8AC-47320-00	23 - 18	85R-47544-01	28 - 17	87S-77213-10	31 - 2	83R-77731-00	34 - 20	8AC-82136-10	41 - 32	437-83936-01	22 - 9
8U7-47320-00	23 - 22	83R-47548-00	27 - 49	8AC-77231-40	29 - 48	83R-77740-00	34 - 23	8BE-82150-00	41 - 24		38 - 19
8AC-47331-00	24 - 12	8AC-47550-00	23 - 21	8AC-77231-50	29 - 48	83R-77741-00	34 - 9	42X-82151-00	41 - 25		43 - 7
8AC-47332-00	24 - 46	83R-47551-00	26 - 5	83R-77241-00	29 - 45	87A-77741-00	34 - 6	5JJ-82151-50	43 - 5	8K4-83950-01	40 - 10
8FM-47333-00	25 - 6	83R-47571-00	28 - 13	86V-77251-01	29 - 52	8V0-77741-20	34 - 2	88T-82310-01	41 - 1	85G-83956-00	40 - 21
83R-47335-00	25 - 21	8K4-47577-00	26 - 2	87R-77251-01	29 - 52	87A-77742-00	34 - 5	87L-82318-00	41 - 38	8AU-83963-00	40 - 13
83R-47337-00	25 - 1	8AT-47578-00	28 - 47	8AT-77261-00	29 - 3	8U9-77742-00	34 - 3	89L-82318-00	40 - 26	8FR-83976-01	43 - 3

NUMERICAL INDEX

PART NO.	REF. NO.	PART NO.	REF. NO.	PART NO.	REF. NO.	PART NO.	REF. NO.	PART NO.	REF. NO.	PART NO.	REF. NO.
88T-8399F-00	40 - 22	90102-10067	17 - 29	90170-10186	17 - 28	90201-100L3	23 - 4	90202-14037	16 - 49	90380-22232	24 - 88
498-84145-60	38 - 8	90105-05644	11 - 6	90170-16425	2 - 28		23 - 16	90202-16231	24 - 83	90380-28235	24 - 89
498-84163-60	38 - 10		11 - 13		3 - 20		23 - 38	90202-16232	24 - 84	90381-14101	24 - 29
498-84164-60	38 - 9		45 - 12	90170-25367	26 - 8		24 - 20	90202-22238	25 - 10		24 - 66
84R-8430A-A0	38 - 1		46 - 10	90176-05059	31 - 4	90201-100S7	16 - 15	90206-11016	5 - 6	90381-14109	24 - 70
83R-8430A-G0	38 - 1	90105-06405	28 - 5	90176-08063	33 - 32	90201-100U1	24 - 65	90208-25045	26 - 7	90381-19111	24 - 15
83R-8430M-00	38 - 11	90105-06437	20 - 8	90179-08268	1 - 14		24 - 74	90209-24073	2 - 11	90381-22099	24 - 41
2F9-84314-00	38 - 6	90105-08408	33 - 5	90179-08269	1 - 7	90201-10119	5 - 17	90210-10004	27 - 46	90381-28108	24 - 51
51L-8431U-00	38 - 3	90105-08450	24 - 38	90179-10670	23 - 5	90201-10136	24 - 57	90214-17017	3 - 17	90384-14091	16 - 42
36Y-84324-00	38 - 5	90105-08483	25 - 17		23 - 39		24 - 78	90214-17018	3 - 17		16 - 54
26H-8432M-00	38 - 13	90105-10029	23 - 37	90185-08054	17 - 11	90201-101U2	24 - 91	90214-29060	12 - 7	90384-14096	16 - 43
51L-84332-00	38 - 2	90105-10105	24 - 75	90185-10085	17 - 34	90201-10321	13 - 11	90215-39268	27 - 51	90384-16251	24 - 82
51L-84334-00	38 - 4	90105-10106	16 - 13	90185-10110	24 - 32	90201-103U4	24 - 64	90249-03017	19 - 11	90384-36134	15 - 31
36Y-84354-00	38 - 16	90105-103A1	24 - 17	90185-10115	25 - 8	90201-104A7	12 - 20	90249-03175	19 - 10	90384-53175	16 - 36
8AT-84359-00	38 - 18		24 - 45	90201-042E0	15 - 58	90201-106F2	24 - 85	90249-12216	27 - 44	90384-90081	12 - 5
36Y-84397-00	38 - 7	90105-10433	23 - 17	90201-04325	15 - 17	90201-107G8	13 - 10	90261-06017	11 - 27	90386-08182	11 - 26
8K4-84710-00	39 - 1		24 - 21		15 - 43	90201-12317	13 - 12	90261-06019	11 - 27	90386-08183	11 - 22
8K4-84711-00	39 - 3		24 - 37	90201-043H5	15 - 25	90201-144J2	28 - 33	90267-40029	15 - 22	90387-0501R	11 - 5
838-84714-01	39 - 2		24 - 50	90201-043H7	29 - 35	90201-171J5	27 - 30	90267-40172	15 - 57		11 - 11
8AC-84717-01	41 - 20		24 - 55		29 - 68	90201-177I3	3 - 13	90267-47186	15 - 60		45 - 14
8K4-84718-00	39 - 7	90105-10436	24 - 73	90201-047A2	34 - 18		3 - 19		15 - 64		46 - 6
8K4-84721-00	39 - 4	90105-10739	24 - 72	90201-047R8	24 - 7	90201-205R6	23 - 32		43 - 10		46 - 8
87M-84723-00	39 - 6	90105-10769	23 - 3	90201-05029	29 - 56	90201-20792	27 - 16	90267-48014	22 - 10	90387-060U0	34 - 11
86R-85110-00	42 - 1	90105-14367	28 - 8	90201-05033	31 - 5		27 - 28	90267-48018	15 - 16	90387-061U9	14 - 17
8GM-85110-00	42 - 3	90105-27484	27 - 50	90201-05036	43 - 9	90201-207J5	24 - 42		15 - 42	90387-06241	29 - 61
	43 - 11	90109-065E6	6 - 27	90201-054K4	34 - 26	90201-210U0	24 - 14		29 - 22	90387-06299	35 - 12
81L-85520-M0	35 - 3	90109-066F4	11 - 19	90201-06042	29 - 54	90201-224L4	27 - 8		33 - 14	90387-063E6	15 - 68
8AU-85540-00	41 - 7		45 - 16	90201-06043	35 - 15		27 - 14	90267-48051	15 - 15	90387-063W4	6 - 30
2A7-85546-00	41 - 8	90113-05053	11 - 12	90201-06072	28 - 4		27 - 22	90267-48060	15 - 14	90387-066N1	39 - 9
8AT-85550-01	35 - 1		45 - 11	90201-063A5	15 - 51	90201-225L2	27 - 23		20 - 6	90387-081R2	15 - 11
8AT-85560-00	35 - 2		46 - 9	90201-064J1	28 - 35	90201-250T6	24 - 49	90267-48079	29 - 34	90387-082J1	25 - 16
8R4-85580-M0	35 - 6	90113-06039	16 - 53	90201-06557	29 - 41	90201-252F1	12 - 17	90267-48086	33 - 34	90387-083G6	24 - 60
8E1-W2628-00	44 - 1	90116-08104	1 - 5		29 - 46	90201-25526	12 - 17	90267-48149	33 - 15	90387-084R1	16 - 24
8FM-W4741-10	25 - 2	90116-08302	1 - 13		29 - 50	90201-25527	12 - 17	90267-48194	24 - 6	90387-1009S	24 - 63
	25 - 3	90119-06108	3 - 32		29 - 60	90201-257G7	13 - 9	90267-48199	24 - 11	90387-100A4	16 - 45
83R-W4751-10	26 - 1	90122-05022	29 - 30	90201-06747	24 - 26	90201-257J2	12 - 18	90267-49152	15 - 9	90387-100X3	24 - 71
83R-W4753-01	26 - 3	90149-08230	33 - 9	90201-06778	15 - 50	90201-266L1	24 - 48	90269-05039	29 - 38	90387-1014Y	25 - 11
8AT-W7726-00	29 - 2	90151-06010	24 - 4	90201-067A0	15 - 62	90201-286K9	24 - 52	90269-05051	3 - 37	90387-101Y9	16 - 44
88R-W8291-00	40 - 1		25 - 5	90201-067F9	16 - 34	90201-33299	2 - 18	90269-05055	34 - 21	90387-105G5	24 - 30
8K4-W8393-00	40 - 6	90154-05047	31 - 3	90201-080L1	16 - 28	90201-345G2	12 - 6		34 - 28		24 - 76
90101-08005	17 - 10	90154-06050	28 - 19	90201-08100	1 - 8	90201-535H6	16 - 38	90280-05014	2 - 24	90387-105G6	24 - 19
90101-08774	23 - 10	90154-06062	12 - 4	90201-08624	4 - 14	90201-536A1	16 - 38		2 - 27	90387-106J3	16 - 16
	23 - 44	90157-05027	40 - 3	90201-08649	25 - 18	90202-05088	29 - 33		3 - 15	90387-121E8	27 - 41
90101-10357	27 - 48	90159-05129	35 - 8	90201-086P8	16 - 9	90202-08204	11 - 20	90338-21075	4 - 2	90387-1404R	24 - 67
90101-10738	24 - 31	90159-05130	35 - 7	90201-08759	17 - 33		11 - 24	90338-30219	27 - 55	90387-145T7	28 - 32
90102-10039	16 - 46	90170-08220	16 - 26	90201-08766	38 - 17		45 - 9	90338-44093	15 - 34	90387-1815A	25 - 9
90102-10044	17 - 32	90170-08261	28 - 43	90201-08784	16 - 8		46 - 5	90380-10129	13 - 8	90387-2004V	24 - 43
90102-10067	16 - 47	90170-10186	17 - 23		19 - 21		46 - 7	90380-16109	25 - 13	90387-200U9	23 - 28

NUMERICAL INDEX

PART NO.	REF. NO.	PART NO.	REF. NO.	PART NO.	REF. NO.	PART NO.	REF. NO.	PART NO.	REF. NO.	PART NO.	REF. NO.
90387-203H0	24 - 96	90467-11032	19 - 23	91A30-05085	14 - 12	93102-36232	15 - 32	93700-06004	16 - 35	95707-04500	44 - 5
90387-205T6	23 - 29	90468-02025	4 - 7	91A30-05120	14 - 11	93102-46394	28 - 16		24 - 87	95707-05300	15 - 30
90387-220X0	22 - 11		4 - 18	91A30-07016	14 - 13	93103-32095	2 - 21	94702-00188	1 - 2		29 - 57
90387-226V7	27 - 15	90468-10003	29 - 31	92901-05100	4 - 12	93103-32156	2 - 26	94709-00188	1 - 2		34 - 27
90387-2515E	24 - 53	90480-10348	15 - 53	92901-06100	10 - 10	93103-36117	15 - 33	94880-06070	28 - 11	95707-06300	15 - 52
90387-405T8	28 - 12	90480-12012	34 - 30	92902-03100	6 - 5	93109-53036	16 - 37	95027-06040	5 - 12		15 - 61
90387-514Y2	26 - 4	90480-12314	41 - 23	92902-04100	35 - 10	93210-10010	28 - 34	95027-06055	5 - 13		24 - 27
90389-28032	11 - 16	90480-15061	15 - 35	92902-05100	37 - 6	93210-19123	28 - 21	95301-05600	4 - 13		29 - 15
	45 - 7	90480-15268	33 - 35	92902-05200	40 - 9	93210-28763	28 - 14	95301-06700	10 - 11		29 - 27
	46 - 2	90501-02217	4 - 4	92907-05100	4 - 16	93306-00002	5 - 15	95302-05600	37 - 5		29 - 47
90389-41031	11 - 4	90501-084G9	6 - 34		17 - 18	93306-00444	23 - 7	95307-05700	6 - 25		29 - 51
	45 - 8	90501-084J0	6 - 37		29 - 32		23 - 13	95307-06600	29 - 43		34 - 16
	46 - 3	90501-101A7	28 - 28	92907-05200	17 - 17		23 - 19		36 - 21		41 - 17
90430-04004	4 - 8	90501-147A6	28 - 7	92907-05600	6 - 24		23 - 23		39 - 11		41 - 35
90430-06016	27 - 54	90501-20130	19 - 5		17 - 15		23 - 41	95307-08600	16 - 27	95707-06500	6 - 32
90430-14194	28 - 9	90501-407E4	25 - 20	92907-06100	29 - 42	93306-00507	26 - 6		33 - 11		15 - 69
90430-31003	14 - 5	90501-481J1	11 - 28		39 - 10	93306-20315	3 - 11	95307-08800	33 - 22		28 - 36
90445-092K1	6 - 36	90501-556G6	11 - 28	92907-06200	29 - 14	93306-20321	27 - 18	95307-10700	17 - 22		28 - 41
90445-095F1	19 - 26	90501-581J7	11 - 28	92907-06600	6 - 10		27 - 32		17 - 27		28 - 46
90445-114J9	19 - 30	90501-75612	16 - 21		10 - 17	93306-20402	27 - 3		27 - 47		29 - 62
90445-114K5	6 - 39	90506-06065	19 - 14		11 - 18		27 - 33	95317-08600	28 - 42		41 - 29
90445-115K6	19 - 25	90506-20272	8 - 4		28 - 38	93306-20469	23 - 26	95380-05600	37 - 12	95707-08300	16 - 10
90445-11735	6 - 33	90507-16045	8 - 7		29 - 19	93306-20582	12 - 13		37 - 12		16 - 58
90450-99050	6 - 17	90507-16046	8 - 8		41 - 34	93306-20617	2 - 19	95602-08200	8 - 3		19 - 20
90460-56073	6 - 14	90508-10715	19 - 9		45 - 10	93306-20620	2 - 20	95607-05200	11 - 7	95707-08500	1 - 6
90460-68230	6 - 16	90508-50746	12 - 10	92907-08100	33 - 21	93306-30627	2 - 16		11 - 14		24 - 23
90461-08113	29 - 66	90793-26072	41 - 21	92907-08200	33 - 10	93306-30628	2 - 17		42 - 2	95707-10300	16 - 48
90462-05059	15 - 13	91317-06025	28 - 39		33 - 20	93306-37206	27 - 4		45 - 13		17 - 30
90462-10209	14 - 2	91401-16025	3 - 29	92907-08600	3 - 5	93306-90802	28 - 15		46 - 11		23 - 31
90464-16039	4 - 22		3 - 31		3 - 7	93310-320G0	2 - 5	95607-06100	14 - 16	95707-10500	13 - 13
90464-16061	14 - 21	91401-20020	16 - 17		3 - 9	93310-524K4	2 - 13	95607-06200	41 - 13	95707-12300	25 - 23
90465-08125	15 - 47		16 - 50		6 - 13	93311-42265	27 - 7	95607-08200	23 - 9	95707-12500	13 - 14
90465-08277	6 - 8	91401-25020	17 - 31		12 - 16	93315-21227	27 - 43		23 - 43	95717-08300	33 - 38
90465-08316	6 - 31	91609-25050	19 - 7		16 - 57	93317-22021	27 - 27		24 - 58	95807-06012	15 - 46
	12 - 22	91609-30008	25 - 12		33 - 39	93317-32241	27 - 13		25 - 15	95807-06016	14 - 18
90465-08368	15 - 12	91609-30010	2 - 15		38 - 15		27 - 21		33 - 26		34 - 15
90465-10098	39 - 8		22 - 7	92907-10600	23 - 35	93410-25017	12 - 19	95607-10100	24 - 33	95807-06020	41 - 27
90465-10189	22 - 2	91609-30016	19 - 6	92907-16100	2 - 29	93410-52061	16 - 39		24 - 68	95807-06025	3 - 39
90467-08017	14 - 22	91609-50032	11 - 10		3 - 18	93430-02001	19 - 12	95607-10200	16 - 14	95807-08016	18 - 4
90467-09026	6 - 38		45 - 18		11 - 31	93440-34170	12 - 8		24 - 92	95807-08040	33 - 31
	14 - 9	91830-22016	9 - 2		45 - 20	93440-78069	2 - 25	95607-14200	23 - 34	95817-08035	25 - 14
	19 - 24	91A20-05065	19 - 26	92990-05100	37 - 13	93450-13133	11 - 23		24 - 97	95817-10020	12 - 21
90467-11009	6 - 42	91A20-05145	19 - 27		37 - 13	93450-21053	2 - 4	95612-08318	1 - 11	95817-10030	25 - 7
	19 - 22	91A30-03042	4 - 5	92990-06600	41 - 3	93503-08007	28 - 6	95617-08640	16 - 56	95817-10045	13 - 7
90467-11032	6 - 35	91A30-05004	14 - 15		5 - 2	93505-32002	4 - 3		16 - 55	95822-06016	43 - 6
	6 - 41	91A30-05010	14 - 10		28 - 3	93603-22028	5 - 9	95702-05300	40 - 5	95827-06016	41 - 12
	14 - 8	91A30-05052	14 - 19		27 - 34	93604-07141	9 - 3	95702-05500	42 - 4	95827-06030	9 - 6
	19 - 16	91A30-05060	14 - 20	93102-22014	27 - 5	93612-44229	27 - 40	95707-04300	34 - 19	95827-06035	27 - 58

NUMERICAL INDEX

PART NO.	REF. NO.	PART NO.	REF. NO.	PART NO.	REF. NO.	PART NO.	REF. NO.	PART NO.	REF. NO.	PART NO.	REF. NO.
95827-06045	27 - 56	98507-05030	17 - 14								
95827-08014	26 - 9	98507-06010	6 - 26								
	33 - 19	98507-06020	29 - 18								
95827-08016	9 - 8	98707-04016	34 - 17								
	10 - 19	98707-05016	29 - 55								
95827-08020	33 - 23	98902-04020	4 - 9								
	33 - 25	98904-06016	29 - 26								
95827-08025	33 - 37	98907-05012	29 - 53								
95827-08040	28 - 23	98907-05014	15 - 29								
95827-08055	17 - 5	98907-05016	34 - 25								
95827-08075	9 - 4	98907-06008	27 - 53								
95827-08085	9 - 5	98907-06010	14 - 3								
95827-08220	24 - 59	98907-06014	29 - 39								
95827-10050	21 - 17	98907-06016	15 - 18								
97007-06010	27 - 52		34 - 10								
97007-06014	10 - 16		35 - 14								
	41 - 16	98907-06025	3 - 38								
97007-06025	24 - 25		15 - 67								
97007-08025	6 - 12		29 - 59								
97007-08040	38 - 14	98907-06035	29 - 72								
97017-06030	11 - 17	99001-04600	40 - 19								
	45 - 17	99009-10400	5 - 8								
97027-06020	16 - 31	99009-12400	27 - 45								
97027-06025	6 - 9	99009-20400	23 - 15								
	15 - 49		24 - 44								
97027-08020	12 - 15		27 - 29								
97027-08040	3 - 4	99009-22400	27 - 9								
97027-08055	3 - 6		27 - 24								
	16 - 6	99009-40500	3 - 12								
97027-08075	3 - 8	99009-42500	23 - 8								
	3 - 10		23 - 14								
97027-08100	16 - 7		23 - 20								
97027-10025	24 - 86		23 - 24								
97701-40130	39 - 5		23 - 42								
97706-30620	40 - 17	99009-47500	23 - 27								
97706-30630	40 - 18	99009-52500	12 - 14								
97707-40616	38 - 12	99246-00080	3 - 24								
97707-50014	29 - 67	99246-00120	31 - 7								
97707-50016	29 - 23	99246-00200	30 - 1								
97880-06020	41 - 2	99530-08016	5 - 11								
98502-03008	6 - 4	99530-10114	27 - 57								
98502-04008	35 - 11										
98502-04012	35 - 9										
98507-04016	44 - 4										
98507-04018	4 - 20										
98507-05008	17 - 16										
98507-05016	4 - 15										
	6 - 23										