

# PARTS CATALOGUE

## VK540ECZ (8HT1) RUSSIAN FEDERATION

1J8HT-370E1

( )



2015/12/15

NEWS No.	DATE	COMMENT
PE0-SM-110001	Jan.,07,2011	MOD: FIG.11, 43~47 LIST&ILLUSTRATION REVISION
PE0-SM-110014	Sep.,13,2011	MOD: FIG. 45, 46 LIST REVISION
PE0-SM-150032	Dec.,08,2015	COR:FIG.33/37/38 METER LIST&ILLUST CORRECTION

VK540ECZ  
PARTS CATALOGUE  
©2009 by Yamaha Motor Co., Ltd.  
1st edition, July 2009  
All rights reserved.  
Any reprinting or unauthorized use  
without the written permission of  
Yamaha Motor Co., Ltd.  
is expressly prohibited.  
Printed in Japan.

# FOREWORD

This Parts Catalogue is related to the parts for the model(s) on the cover page. When you are ordering replacement parts, please refer to this Parts Catalogue and quote both part numbers and part names correctly.

1. Modifications or additions which have been made after the issue of the Parts Catalogue will be announced in the Parts News.

It is advisable that you make the necessary corrections to the Parts Catalogue according to the Parts News.

2. Abbreviations

The following abbreviations are used in this Parts Catalogue.

“UR” Use specified parts number.

“UN” Use as many as needed.

“AP” Alternate Parts

“LM” Locally Made (Parts need to be ordered locally)

“F#” Frame No. (Applicable machine No.)

“O/S” Over Size

3. The number of components for assembly

- Parts, which are to be supplied in an assembly, are listed with a dot (.) in front of the part name as shown below.
- The numeral appearing to the right of each component part indicates the quantity of parts for each assembly unit.

PART NO.	DESCRIPTION	Q'TY	REMARKS
2F5-83310-60	FRONT FLASHER LIGHT ASSY	2	
115-83311-60	.BULB (6V-18W)	1	

4. Applicable colours of graphics are represented in the “REMARKS” as shown below.

PART NO.	DESCRIPTION	Q'TY	REMARKS
2N4-24110-00-X5	FUEL TANK COMP.	2	MXR
3J1-24240-10	.GRAPHIC, FUEL TANK	1	FOR MXR

5. Note that the illustrations for reference in finding parts numbers are not to be used for assembling. When assembling, please use the applicable service manual.

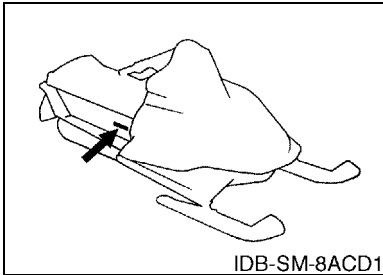
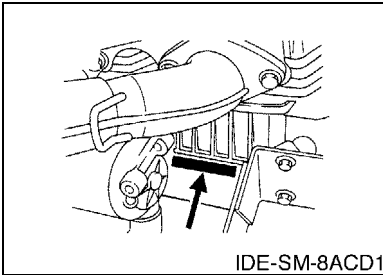
6. The asterisk (\*) before a reference number indicates modified items after the first edition.

# FOREWORD

7. Applicable Serial No.

Engine Serial No.

Frame Serial No.



10. Applicable Starting Serial No.

Frame Serial No.

Serial No.	Name Of Q'ty Column	Model Code
JYE8HT004AA000053	8HT1	8HT1

8. Applicable Colour Code (The (\*) mark shows Model colour.)

Abbreviation	Colour Name	Colour Code
RW(*)	RADICAL WHITE	00UJ

9. Quantity Column Information

Column No.	Name Of Q'ty Column	Destination
1	8HT1	RUSSIAN FEDERATION

# CONTENTS

## ENGINE

CYLINDER HEAD .....	1
CRANKSHAFT & PISTON .....	2
AIR SHROUD & FAN .....	4
OIL PUMP .....	6
PUMP DRIVE GEAR .....	7
INTAKE .....	8
CARBURETOR .....	10
EXHAUST .....	12
CRANKCASE .....	13
STARTER .....	14

## DRIVE

PRIMARY SHEAVE .....	15
SECONDARY SHEAVE .....	17

## BODY

ENGINE BRACKET .....	18
OIL TANK .....	19
FRAME .....	20
SKI .....	23
STEERING .....	26
STEERING GATE .....	28
FUEL TANK .....	29
SEAT .....	31
BRAKE .....	32
CONTROL CABLE .....	33
TRACK SUSPENSION 1 .....	34
TRACK SUSPENSION 2 .....	36
TRACK SUSPENSION 3 .....	40
TRACK DRIVE 1 .....	41
TRACK DRIVE 2 .....	42
TRACK DRIVE 3 .....	45
SHROUD .....	47
EMBLEM .....	50
WINDSHIELD .....	51
GUARD & LUGGAGE BOX .....	52
BUMPER .....	53
INSTRUMENT PANEL .....	55

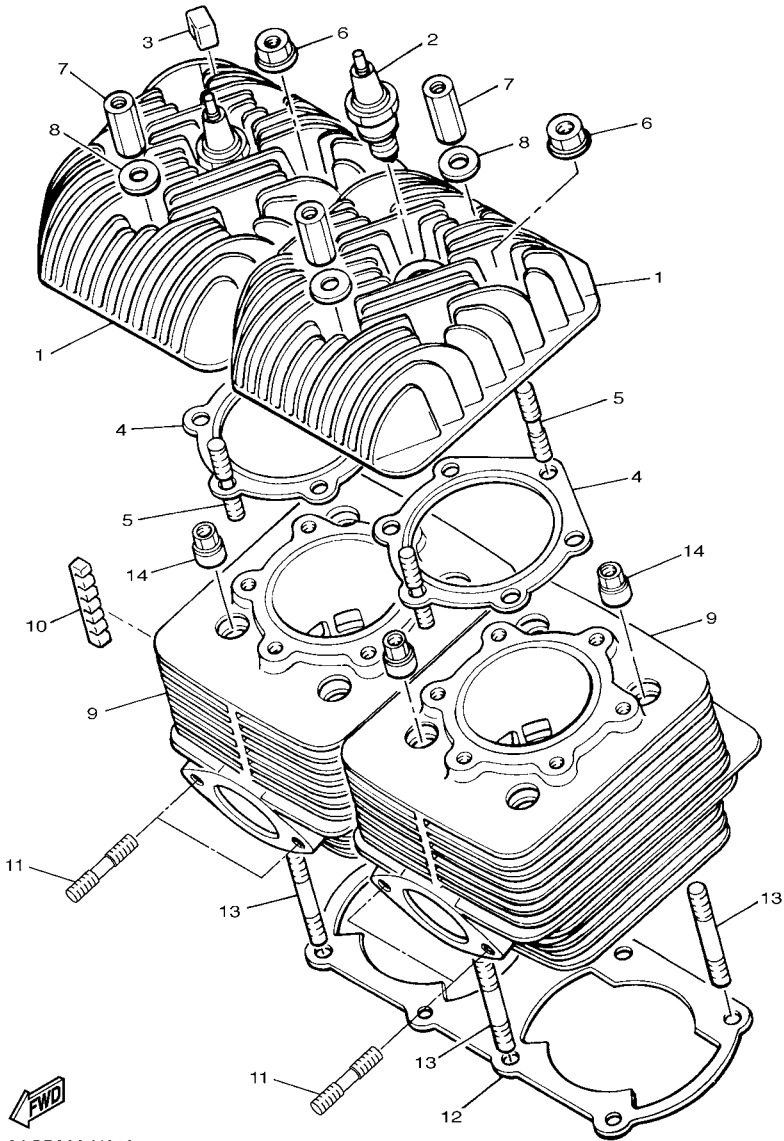
## ELECTRICAL

GENERATOR .....	57
-----------------	----

STARTING MOTOR .....	58
METER .....	59
HEADLIGHT .....	60
TAILLIGHT .....	61
HANDLE SWITCH & LEVER .....	62
ELECTRICAL 1 .....	63
ELECTRICAL 2 .....	65
ALTERNATE REBUILD KIT .....	66
ALTERNATE CLUTCH TUNE UP KIT .....	67

## INDEX

NUMERICAL INDEX .....	68
-----------------------	----



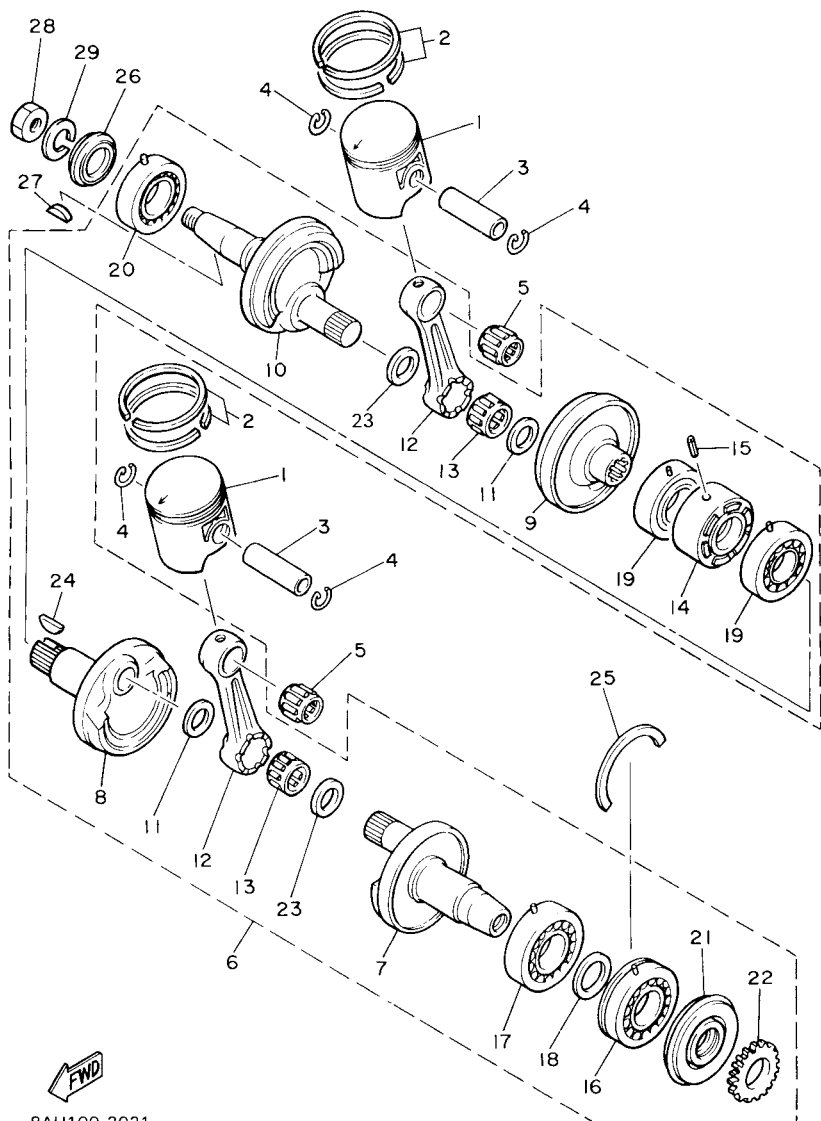
 8ACP300-H010

**FIG. 1 CYLINDER HEAD**

REF. NO.	PART NO.	DESCRIPTION	QTY				REMARKS
1	8R6-11111-00	HEAD, CYLINDER 1	2				
2	94702-00188	PLUG, SPARK (NGK BR9ES)	2				
3	83R-11161-00	ABSORBER 1	12				
4	83R-11181-00	GASKET, CYLINDER HEAD 1	2				
5	90116-08104	BOLT, STUD	12				
6	95707-08500	NUT, FLANGE	8				
7	90179-08269	NUT	4				
8	90201-08100	WASHER, PLATE	4				
9	83R-11311-00	CYLINDER 1	2				
10	83R-11162-00	ABSORBER 2	8				
11	95612-08318	BOLT, STUD	4				
12	89N-11351-00	GASKET, CYLINDER	1				
13	90116-08302	BOLT, STUD	8				
14	90179-08268	NUT	8				

**FIG. 2 CRANKSHAFT & PISTON**

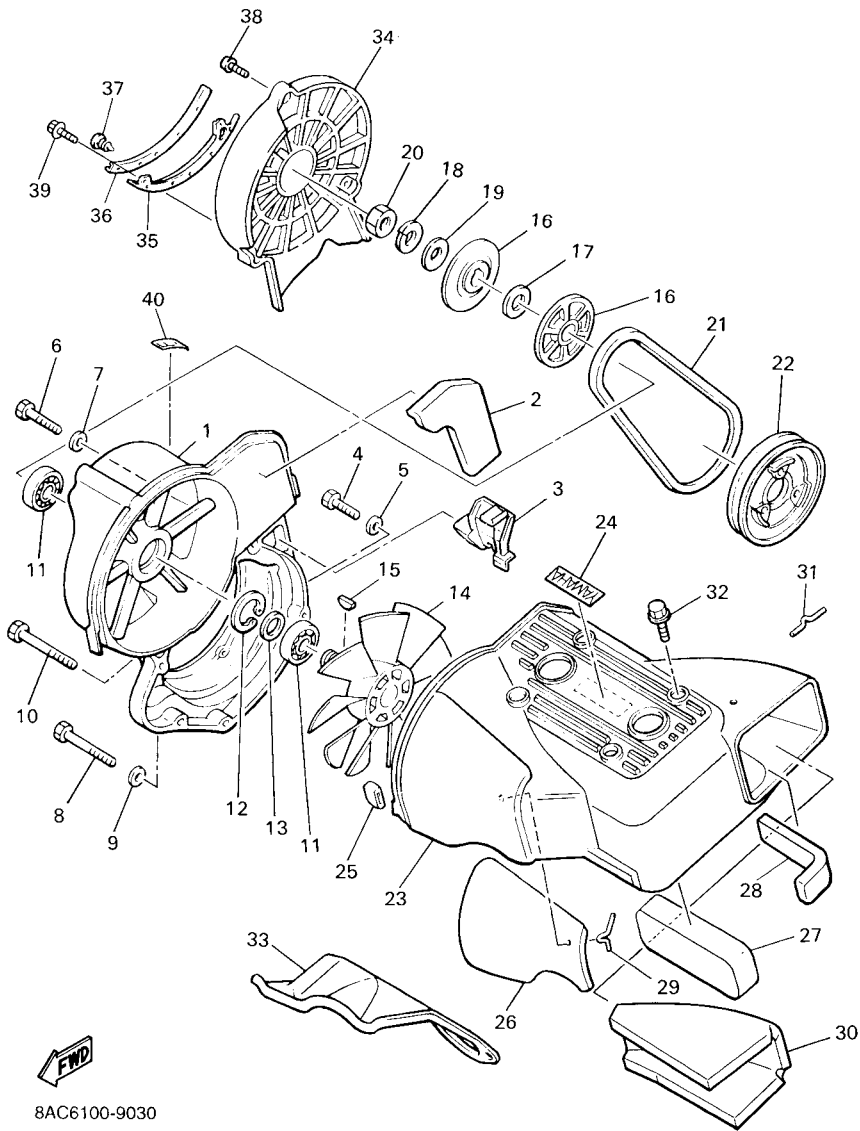
REF. NO.	PART NO.	DESCRIPTION	QTY				REMARKS
1	8R6-11631-00-95	PISTON (STD)	2				
	8R6-11635-00	PISTON (0.25MM O/S)	2				AP
	8R6-11636-00	PISTON (0.50MM O/S)	2				AP
2	8R6-11601-00	PISTON RING SET (STD)	2				
	8R6-11601-10	PISTON RING SET (0.25MM O/S)	2				AP
	8R6-11601-20	PISTON RING SET (0.50MM O/S)	2				AP
3	8H8-11633-00	PIN, PISTON	2				
4	93450-21053	CIRCLIP	4				
5	93310-320G0	BEARING	2				
6	8AT-11400-01	CRANKSHAFT ASSY	1				
7	83R-11412-01	.CRANK 1	1				
8	8H8-11422-01	.CRANK 2	1				
9	8H8-11432-01	.CRANK 3	1				
10	8AT-11442-00	.CRANK 4	1				
11	90209-24073	.WASHER	2				
12	8R6-11651-00	.ROD, CONNECTING	2				
13	93310-524K4	.BEARING	2				
14	8H8-11515-00	.SEAL, LABYRINTH 1	1				
15	91609-30010	.PIN, SPRING	1				
16	93306-30627	.BEARING	1				
17	93306-30628	.BEARING	1				
18	90201-33299	.WASHER, PLATE	1				
19	93306-20617	.BEARING	2				
20	93306-20620	.BEARING	1				
21	93103-32095	.OIL SEAL	1				
22	8K2-13178-00	.GEAR, PUMP DRIVE	1				
23	8A7-11685-00	.WASHER, CRANK PIN	2				



8AU100-3021







8AC6100-9030

FIG. 3 AIR SHROUD & FAN

REF. NO.	PART NO.	DESCRIPTION	QTY				REMARKS
1	88F-12621-02	CASE, FAN	1				
2	8Y0-12679-00	DAMPER, SHROUD 6	1				
3	8Y0-12658-00	DAMPER, AIR SHROUD 1	1				
4	97027-08040	BOLT, HEXAGON	2				
5	92907-08600	WASHER, PLATE	2				
6	97027-08055	BOLT, HEXAGON	1				
7	92907-08600	WASHER, PLATE	1				
8	97027-08075	BOLT, HEXAGON	1				
9	92907-08600	WASHER, PLATE	1				
10	97027-08075	BOLT, HEXAGON	1				
11	93306-20315	BEARING	2				
12	99009-40500	CIRCLIP	1				
13	90201-17713	WASHER, PLATE	1				
14	8H8-12611-01	FAN	1				
15	90280-05014	KEY, WOODRUFF	1				
16	8H8-12619-01	PULLEY 2	2				
17	90214-17017	WASHER, CLAW (0.5T)	1				UR UN
	90214-17018	WASHER, CLAW (1.0T)	1				UR UN
18	92907-16100	WASHER	1				
19	90201-17713	WASHER, PLATE	1				
20	90170-16425	NUT	1				
21	8H8-12612-00	BELT	1				
22	8H8-12618-01	PULLEY 1	1				
23	8H8-12651-02	AIR SHROUD, CYLINDER 1	1				
24	99246-00080	EMBLEM, YAMAHA	1				
25	8H8-12658-00	DAMPER, AIR SHROUD 1	2				
26	8H8-12659-00	DAMPER, AIR SHROUD 2	1				

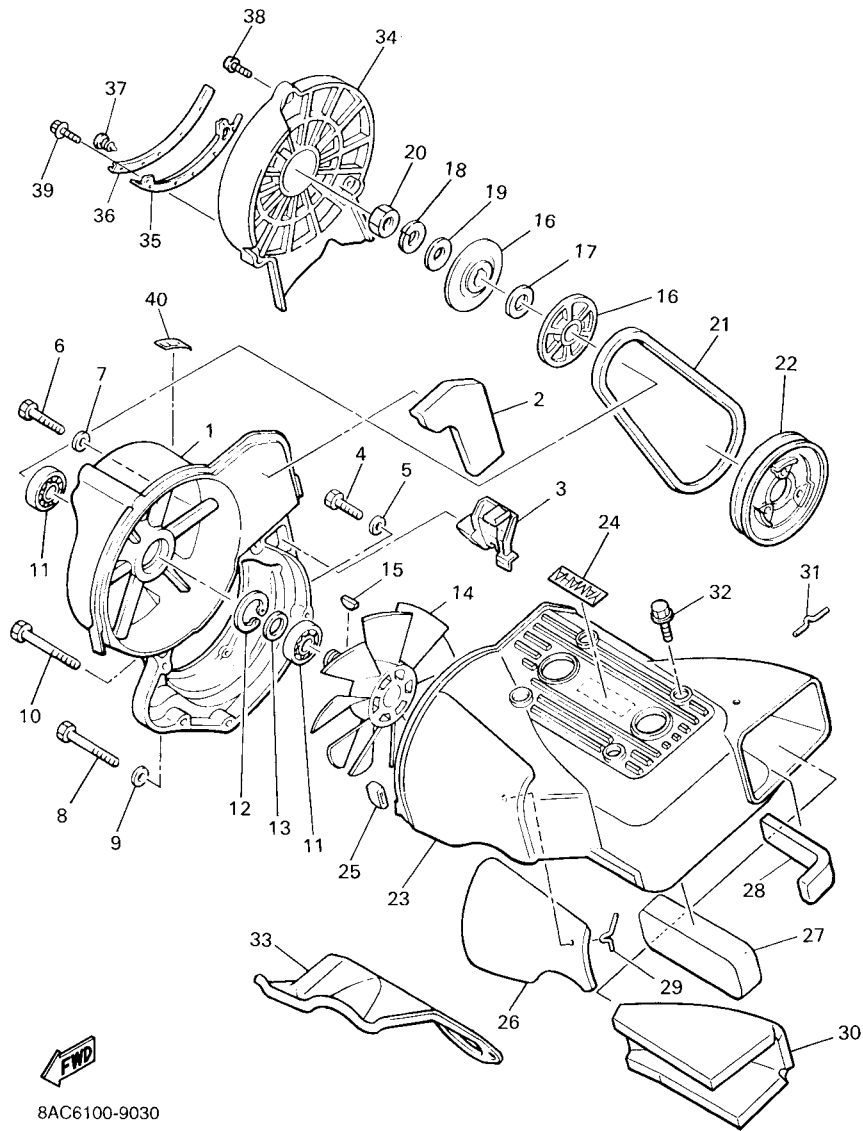
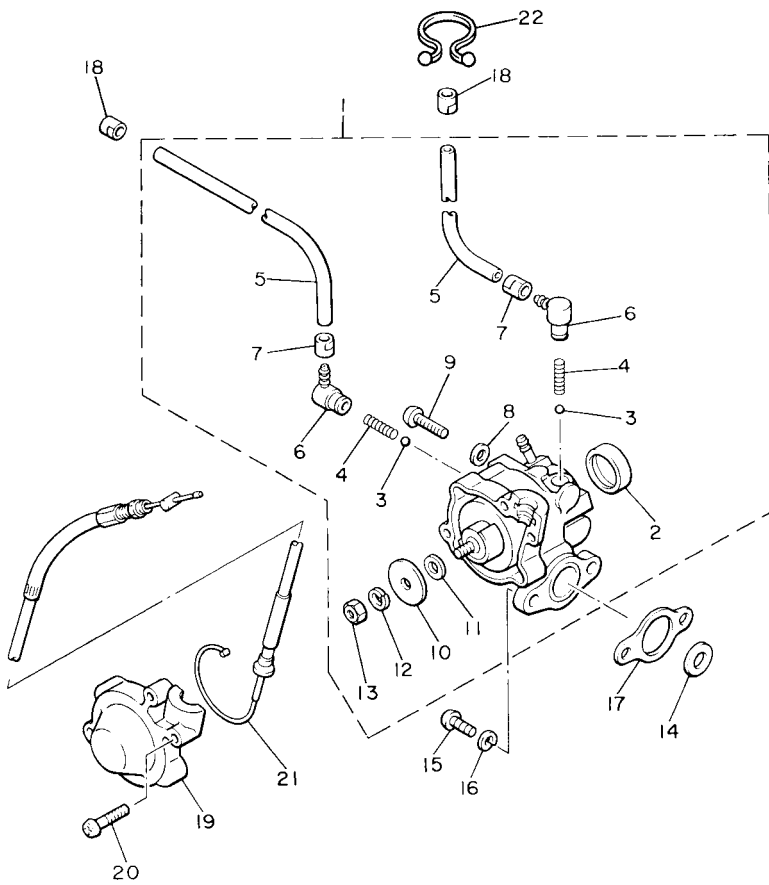


FIG. 3 AIR SHROUD & FAN

REF. NO.	PART NO.	DESCRIPTION	QTY				REMARKS
27	8H8-12669-00	DAMPER, AIR SHROUD 4	1				
28	8V8-12678-00	DAMPER, AIR SHROUD 5	1				
29	91401-16025	PIN, COTTER	3				
30	8AT-12679-00	DAMPER, SHROUD 6	1				
31	91401-16025	PIN, COTTER	3				
32	90119-06108	BOLT, WITH WASHER	4				
33	8H8-12652-00	AIR SHROUD, CYLINDER 2	1				
34	8L0-12616-00	COVER, FAN CASE	1				
35	8Y0-12637-02	STAY 1	1				
36	8Y0-12687-02	DAMPER, DUCT 4	1				
37	90269-05051	RIVET	5				
38	98907-06025	SCREW, BIND	2				
39	95807-06025	BOLT, FLANGE	1				
40	8AC-1262A-R1	LABEL, WARNING 2	1				



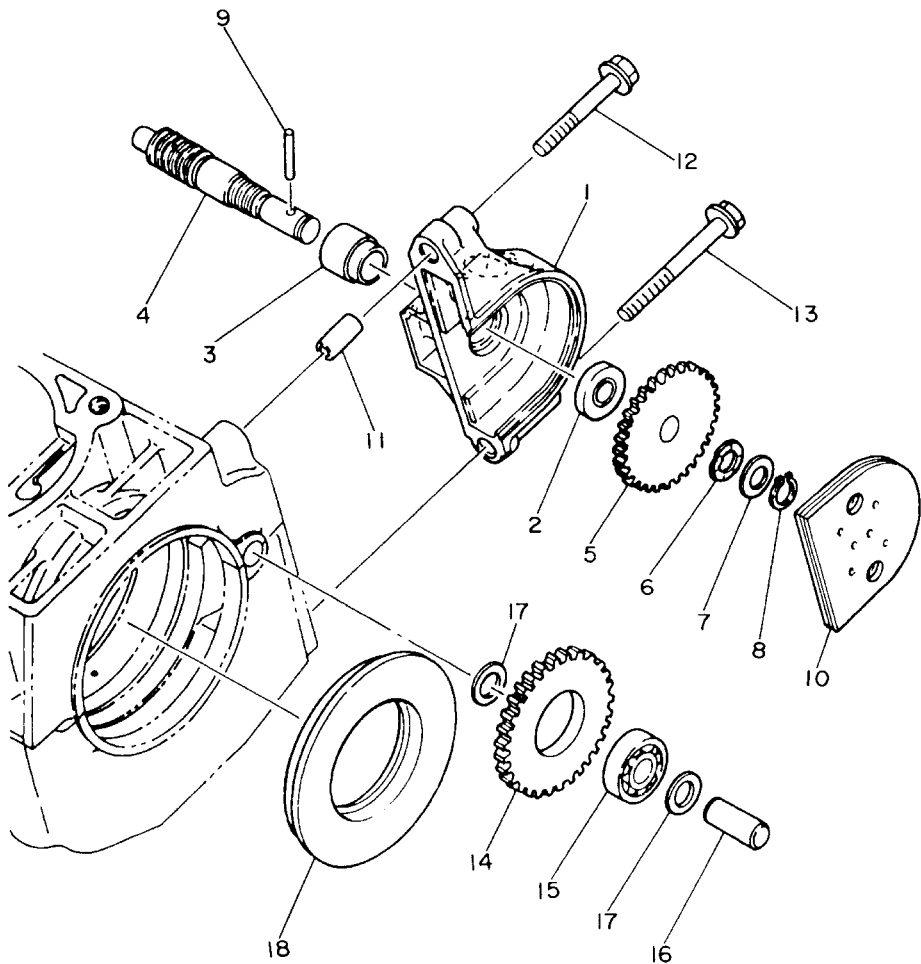
  
 8AU100-3040

**FIG. 4 OIL PUMP**

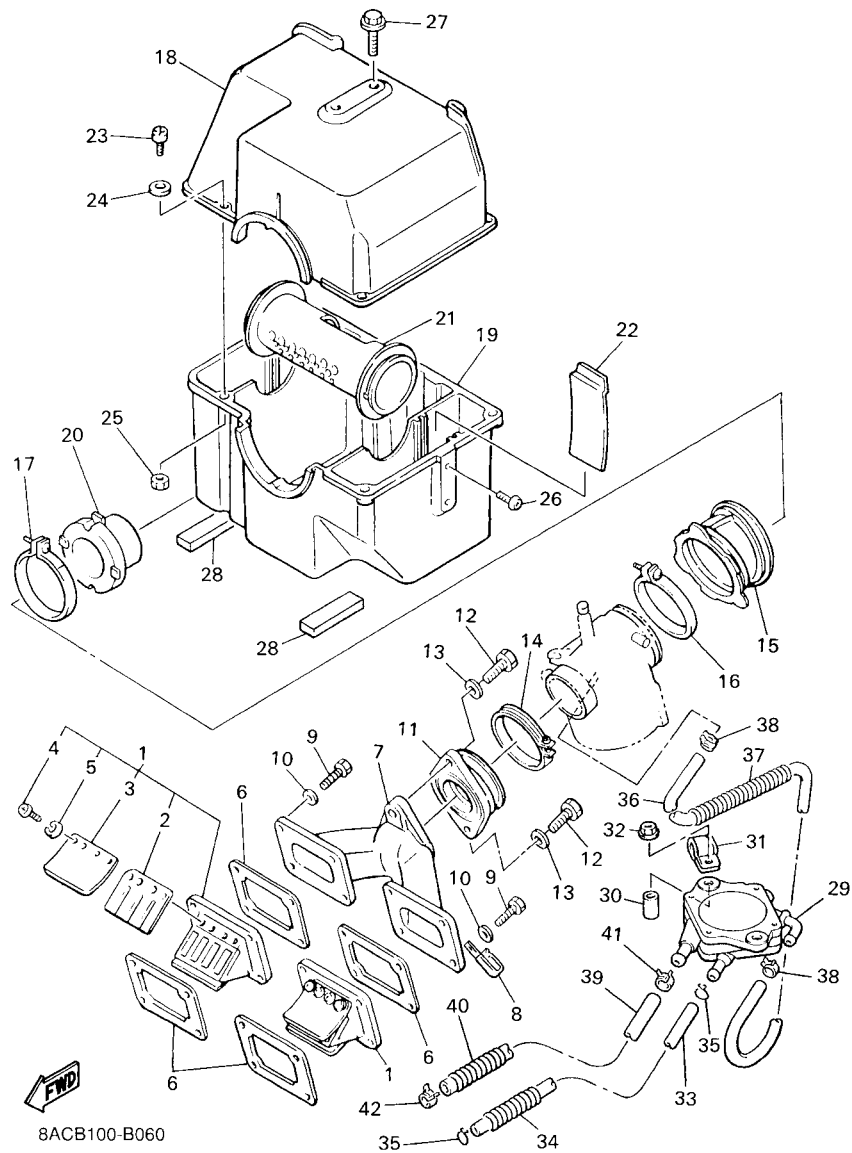
REF. NO.	PART NO.	DESCRIPTION	QTY				REMARKS
1	8AT-13101-00	OIL PUMP ASSY	1				
2	90338-21075	.PLUG	1				
3	93505-32002	.BALL	2				
4	90501-02217	.SPRING, COMPRESSION	2				
5	91A30-03042	.TUBE, FLEXIBLE VINYL	2				
6	353-13552-01	.NOZZLE	2				
7	90468-02025	.CLIP	2				
8	90430-04004	.GASKET	1				
9	98902-04020	.SCREW, BIND	1				
10	137-13138-01	.PLATE, ADJUSTING	1				
11	137-13137-00	.SHIM, PLUNGER	1				
12	92901-05100	.WASHER, SPRING	1				
13	95301-05600	.NUT	1				
14	90201-08624	WASHER, PLATE	1				
15	98507-05016	SCREW, PAN HEAD	2				
16	92907-05100	WASHER, SPRING	2				
17	8Y0-13116-01	GASKET, PUMP CASE	1				
18	90468-02025	CLIP	2				
19	8A5-13146-01	COVER, ADJUST PULLEY	1				
20	98507-04018	SCREW, PAN HEAD	3				
21	8L8-26320-04	PUMP CABLE ASSY	1				
22	90464-16039	CLAMP	1				

FIG. 5 PUMP DRIVE GEAR

REF. NO.	PART NO.	DESCRIPTION	QTY				REMARKS
1	8AT-15416-00	COVER, OIL PUMP	1				
2	93101-10001	OIL SEAL	1				
3	821-13176-00	METAL, WORM SHAFT OUTER	1				
4	866-13175-00	SHAFT, WORM	1				
5	821-13188-00	GEAR, DRIVE (32T)	1				
6	90206-11016	WASHER, WAVE	1				
7	137-13148-00	PLATE, CAM THRUST	1				
8	99009-10400	CIRCLIP	1				
9	93603-22028	PIN, DOWEL	1				
10	8K4-15426-00	COVER, OIL PUMP 2	1				
11	99530-08016	PIN, DOWEL	2				
12	95027-06040	BOLT, FLANGE	1				
13	95027-06055	BOLT, FLANGE	1				
14	8H8-13179-00	GEAR, IDLE (34T)	1				
15	93306-00002	BEARING	1				
16	8G8-13342-00	SHAFT, IDLE GEAR	1				
17	90201-10119	WASHER, PLATE	2				
18	8K4-13119-00	SEAL, GREASE	1				



8AU100-3050



**FIG. 6 INTAKE**

REF. NO.	PART NO.	DESCRIPTION	QTY				REMARKS
1	8AT-13610-00	REED VALVE ASSY	2				
2	8AT-13613-00	.REED, VALVE	2				
3	8H8-13616-00	.STOPPER, REED VALVE	2				
4	98502-03008	.SCREW, PAN HEAD	8				
5	92902-03100	.WASHER	8				
6	8Y7-13556-01	GASKET, MANIFOLD	4				
7	83R-13565-00	JOINT, CARBURETOR	1				
8	90465-08277	CLAMP	1				
9	97027-06025	BOLT, HEXAGON	8				
10	92907-06600	WASHER, PLATE	8				
11	8G8-13555-01	MANIFOLD, INTAKE	1				
12	97007-08025	BOLT	2				
13	92907-08600	WASHER, PLATE	2				
14	90460-56073	CLAMP, HOSE	1				
15	83R-14453-00	JOINT, AIR CLEANER 1	1				
16	90460-68230	CLAMP, HOSE	1				
17	90450-99050	HOSE CLAMP ASSY	1				
18	8H8-14431-00	SILENCER, INTAKE 1	1				
19	8H8-14441-00	SILENCER, INTAKE 2	1				
20	83R-14465-00	PIPE	1				
21	8H8-14466-00	PIPE	1				
22	8H8-14477-00	PLATE	2				
23	98507-05016	SCREW, PAN HEAD	5				
24	92907-05600	WASHER, PLATE	5				
25	95307-05700	NUT	5				
26	98507-06010	SCREW, PAN HEAD	2				
27	90109-065E6	BOLT	2				

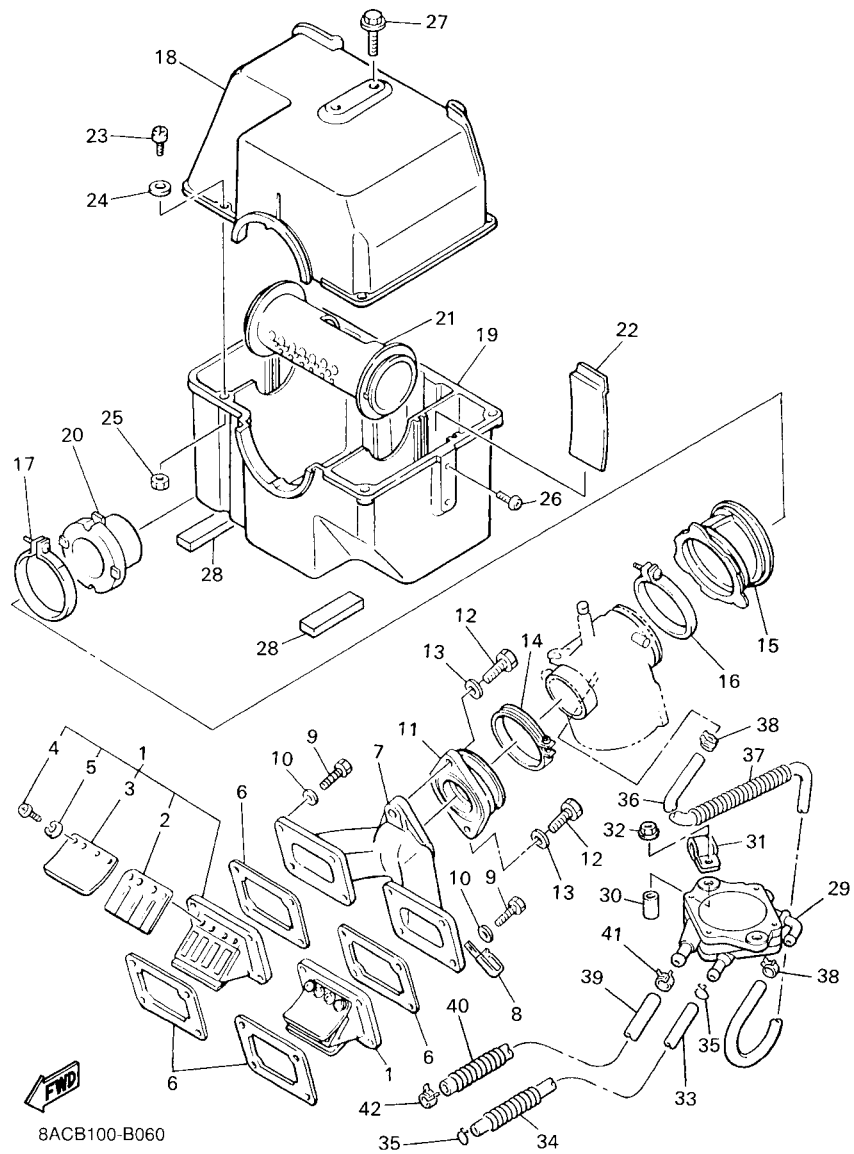
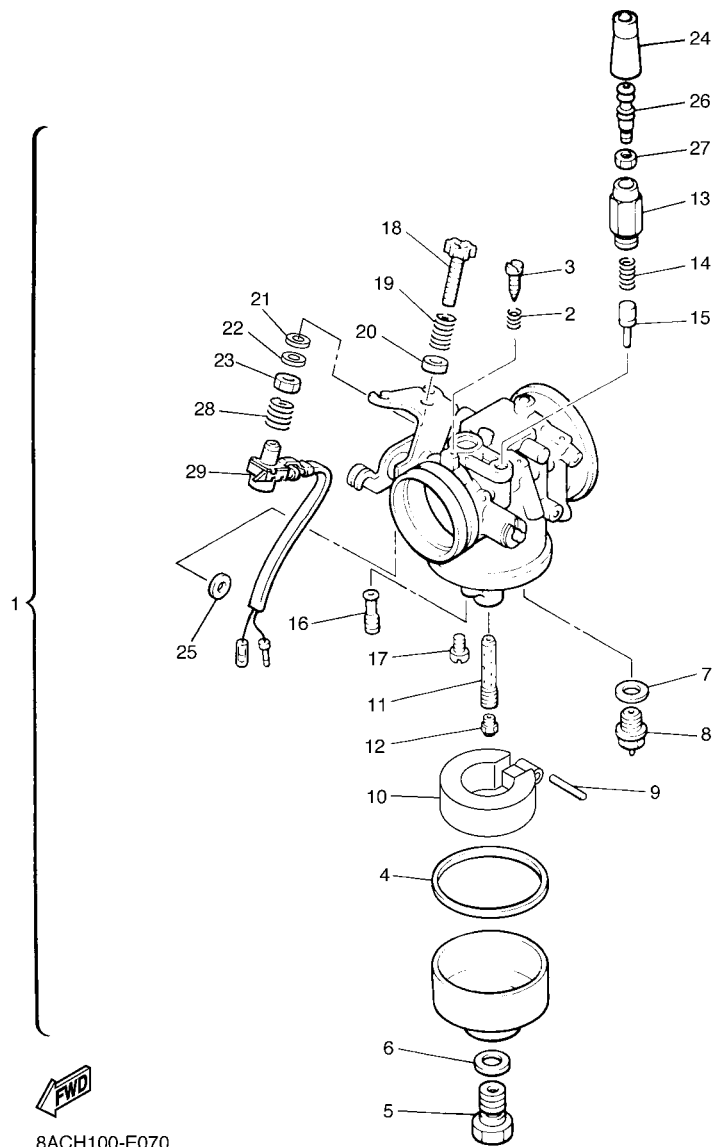


FIG. 6 INTAKE

REF. NO.	PART NO.	DESCRIPTION	QTY				REMARKS
28	83R-14425-00	DAMPER 1	2				
29	8AT-24410-00	FUEL PUMP ASSY	1				
30	90387-063W4	COLLAR	2				
31	90465-08316	CLAMP	1				
32	95707-06500	NUT, FLANGE	2				
33	90445-11735	HOSE (L320)	1				
34	90501-084G9	SPRING, COMPRESSION	1				
35	90467-11032	CLIP	2				
36	90445-092K1	HOSE (L420)	1				
37	90501-084J0	SPRING, COMPRESSION	1				
38	90467-09026	CLIP	2				
39	90445-114K5	HOSE (L80)	1				
40	84M-24327-00	PROTECTOR, PIPE	1				
41	90467-11032	CLIP	1				
42	90467-11009	CLIP	1				



8ACH100-E070

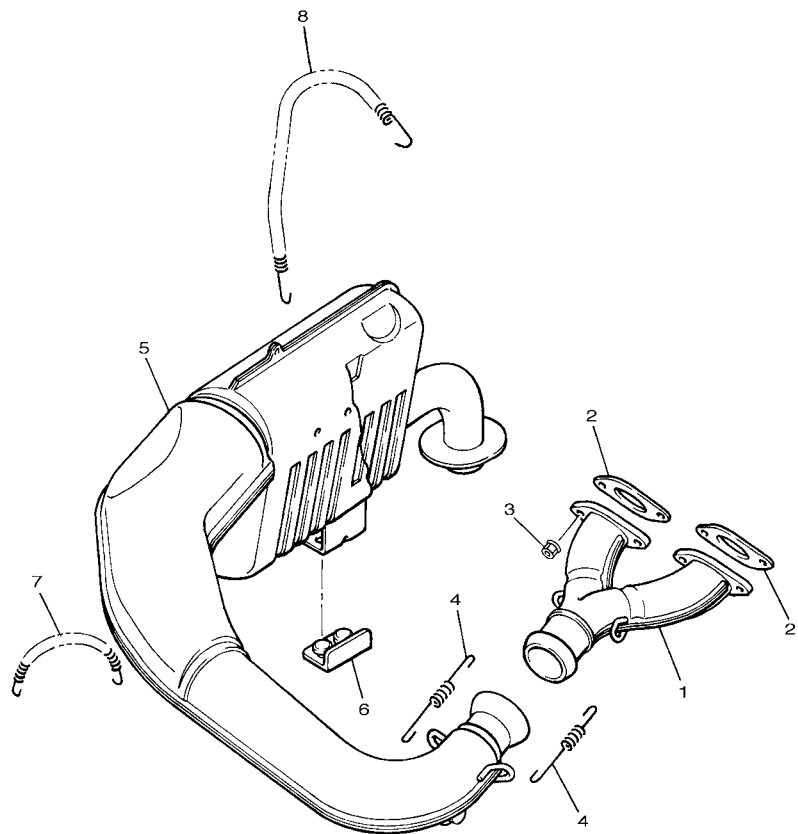
FIG. 7 CARBURETOR

REF. NO.	PART NO.	DESCRIPTION	QTY			REMARKS
1	84R-14101-02	CARBURETOR ASSY 1	1			
2	82A-14134-00	.SPRING, AIR ADJUSTING	1			
3	620-14211-00	.SCREW, PILOT ADJUSTING	1			
4	8M6-14126-00	.GASKET	1			
5	8M6-14261-00	.HOLDER	1			
6	286-14198-00	.GASKET	1			
7	214-14195-00	.WASHER, NEEDLE VALVE	1			
8	83R-14190-15	.NEEDLE VALVE ASSY	1			
9	68V-14186-00	.PIN, FLOAT	1			
10	8M6-14185-00	.FLOAT	1			
11	83R-14941-4E	.NOZZLE, MAIN	1			
12	3G2-1414E-56	.JET, MAIN (#141.3)	1			STD
	3G2-14231-77	.JET, MAIN (#132.5)	1			AP
	3G2-14231-27	.JET, MAIN (#135)	1			AP
	3G2-14231-78	.JET, MAIN (#137.5)	1			AP
	3G2-14231-28	.JET, MAIN (#140)	1			AP
	3G2-14231-79	.JET, MAIN (#142.5)	1			AP
13	8U9-14174-00	.CAP, PLUNGER	1			
14	127-14135-00	.COIL, SPRING	1			
15	8G8-14171-00	.PLUNGER, STARTER	1			
16	193-14142-90	.JET, PILOT (# 90)	1			STD
	193-1414F-00	.JET, PILOT (# 100)	1			AP
17	8V0-14118-00	.CAP	2			
18	89A-14125-00	.SCREW	1			
19	2J2-14133-00	.SPRING, THROTTLE STOP	1			
20	89A-14265-00	.COLLAR	1			
21	22F-14117-00	.WASHER, PLUG SCREW	1			





FIG. 8 EXHAUST



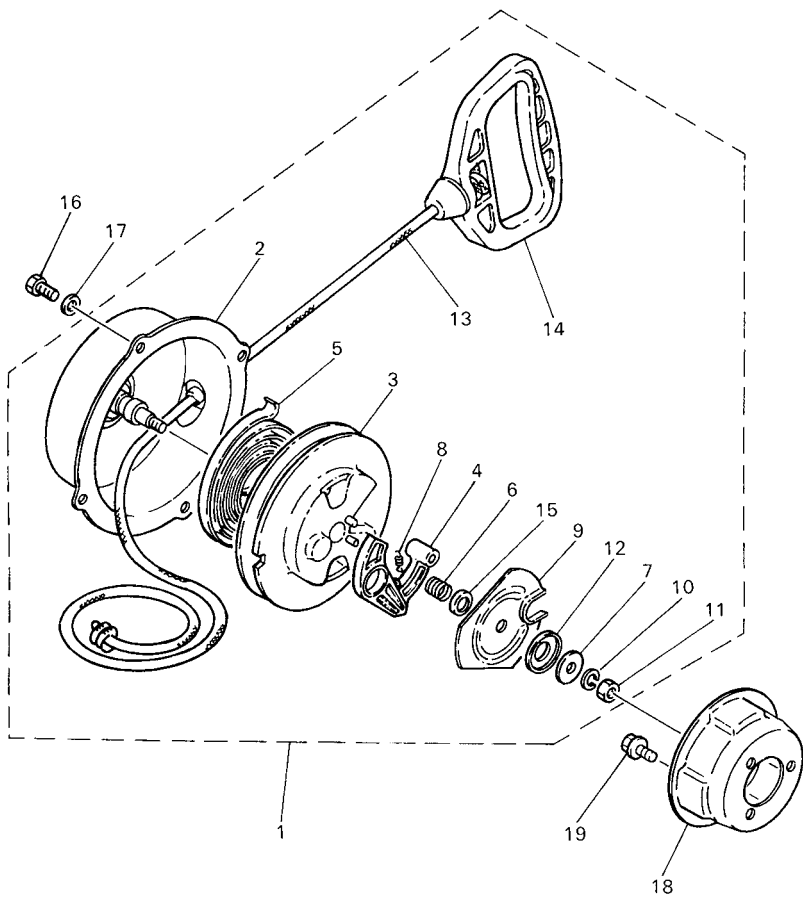
REF. NO.	PART NO.	DESCRIPTION	QTY				REMARKS
1	8K4-14610-00	EXHAUST PIPE ASSY 1	1				
2	82M-14613-01	GASKET, EXHAUST PIPE	2				
3	95602-08200	NUT, SELF-LOCKING	4				
4	90506-20272	SPRING, TENSION	2				
5	83R-14710-04	MUFFLER ASSY 1	1				
6	83R-14728-01	PROTECTOR, MUFFLER 2	1				
7	90507-16045	SPRING, TENSION	1				
8	90507-16046	SPRING, TENSION	1				

  
8ACP300-H080

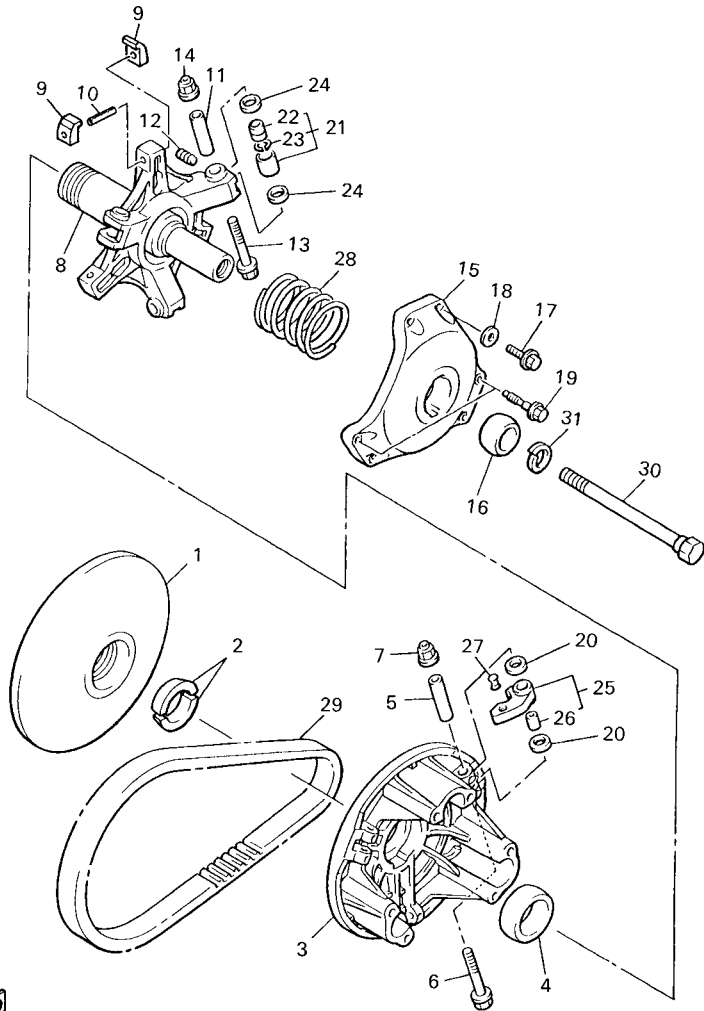


FIG. 10 STARTER

REF. NO.	PART NO.	DESCRIPTION	QTY				REMARKS
1	8H8-15710-00	STARTER ASSY	1				
2	8H8-15711-00	.CASE, STARTER	1				
3	8F3-15714-01	.DRUM, SHEAVE	1				
4	8F3-15741-01	.PAWL, DRIVE	1				
5	8F3-15713-01	.SPRING, STARTER	1				
6	8F3-15715-00	.SPRING, FRICTION	1				
7	8F3-15739-01	.WASHER, THRUST	1				
8	8F3-15734-00	.SPRING, RETURN	1				
9	8F3-15716-03	.PLATE, DRIVE	1				
10	92901-06100	.WASHER, SPRING	1				
11	95301-06700	.NUT	1				
12	8G5-15739-00	.WASHER, THRUST	1				
13	8F3-15751-00	.WIRE, STARTER	1				
14	8F3-15755-00	.HANDLE, STARTER	1				
15	8G5-15716-00	.COLLAR	1				
16	97007-06014	BOLT	4				
17	92907-06600	WASHER, PLATE	4				
18	8H8-15723-01	PULLEY, STARTER	1				
19	95827-08016	BOLT, FLANGE	3				



8AC3100-6110



8AC6100-9110

FIG. 11 PRIMARY SHEAVE (~8HT-001712)

REF. NO.	PART NO.	DESCRIPTION	8HT				REMARKS
1	88R-17611-02	SHEAVE, PRIMARY FIXED	1				
2	8V0-17639-00	STOPPER	2				
3	89F-17621-00	SHEAVE, PRIMARY SLIDING	1				
4	90389-41031	BUSH	1				
5	90387-0501R	COLLAR	3				
6	90105-05644	BOLT, FLANGE	3				
7	95607-05200	NUT, U FLANGE	3				
8	8BW-17640-11	SPIDER COMPLETE	1				
9	8BW-17653-00	SLIDER	6				
10	91609-50032	PIN, SPRING	3				
11	90387-0501R	COLLAR	3				
12	90113-05053	BOLT, SET	6				
13	90105-05644	BOLT, FLANGE	3				
14	95607-05200	NUT, U FLANGE	3				
15	88R-17631-01	CAP	1				
16	90389-28032	BUSH	1				
17	97017-06030	BOLT	4				
18	92907-06600	WASHER, PLATE	4				
19	90109-066F4	BOLT	2				
20	90202-08204	WASHER, PLATE	6				
21	88R-17624-01	ROLLER, COMP	3				
22	90386-08183	.BUSH	1				
23	93450-13133	.CIRCLIP	1				
24	90202-08204	WASHER, PLATE	6				
25	8AT-17605-00	WEIGHT COMP	3				
26	90386-08182	.BUSH	1				
27	90261-06019	RIVET, COUNTERSUNK (ST13.3MM)	3				STD





8AC6100-9120

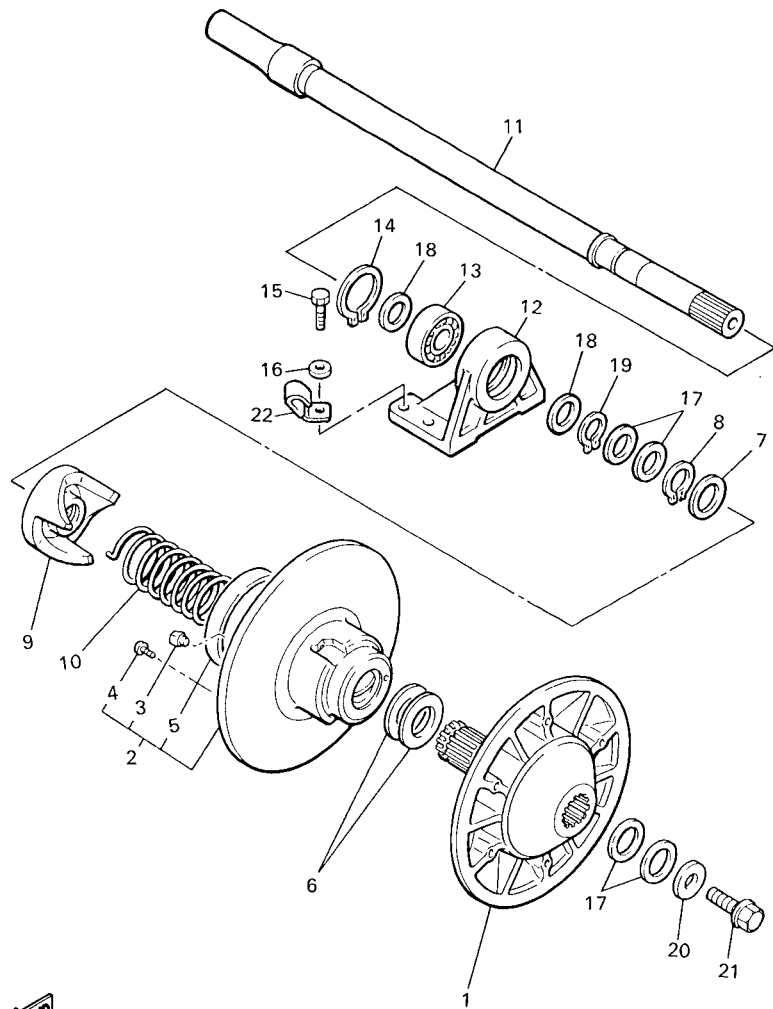
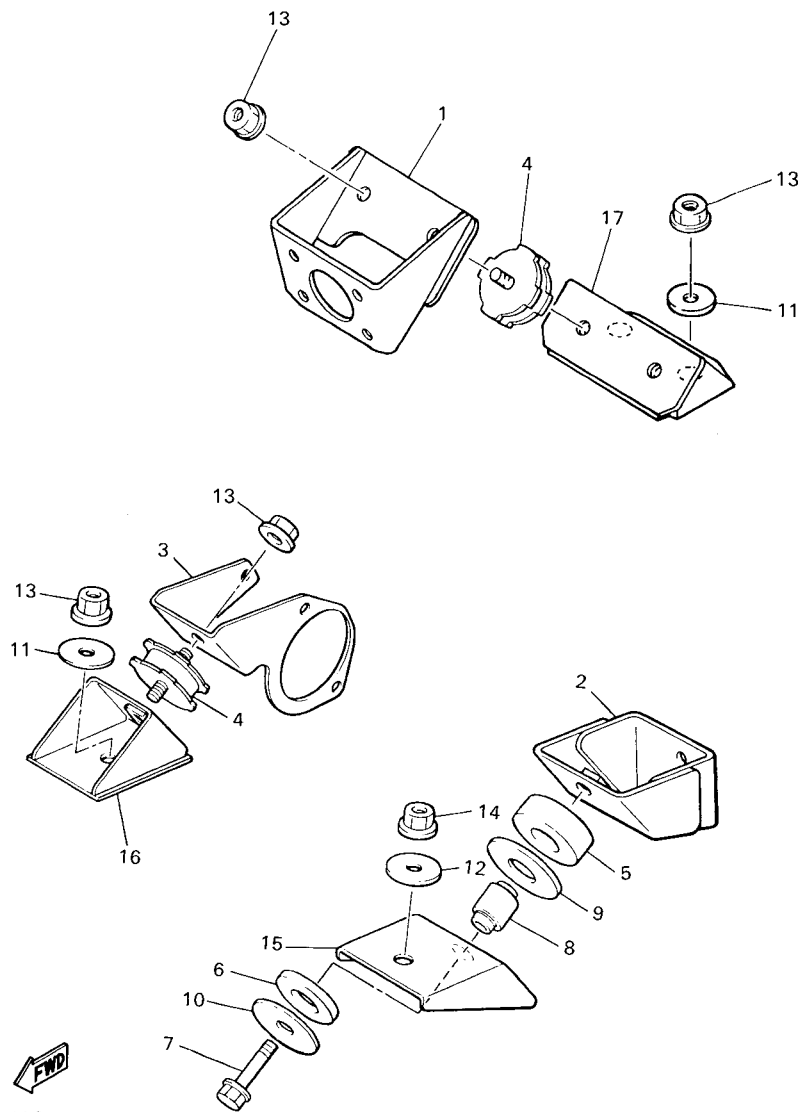


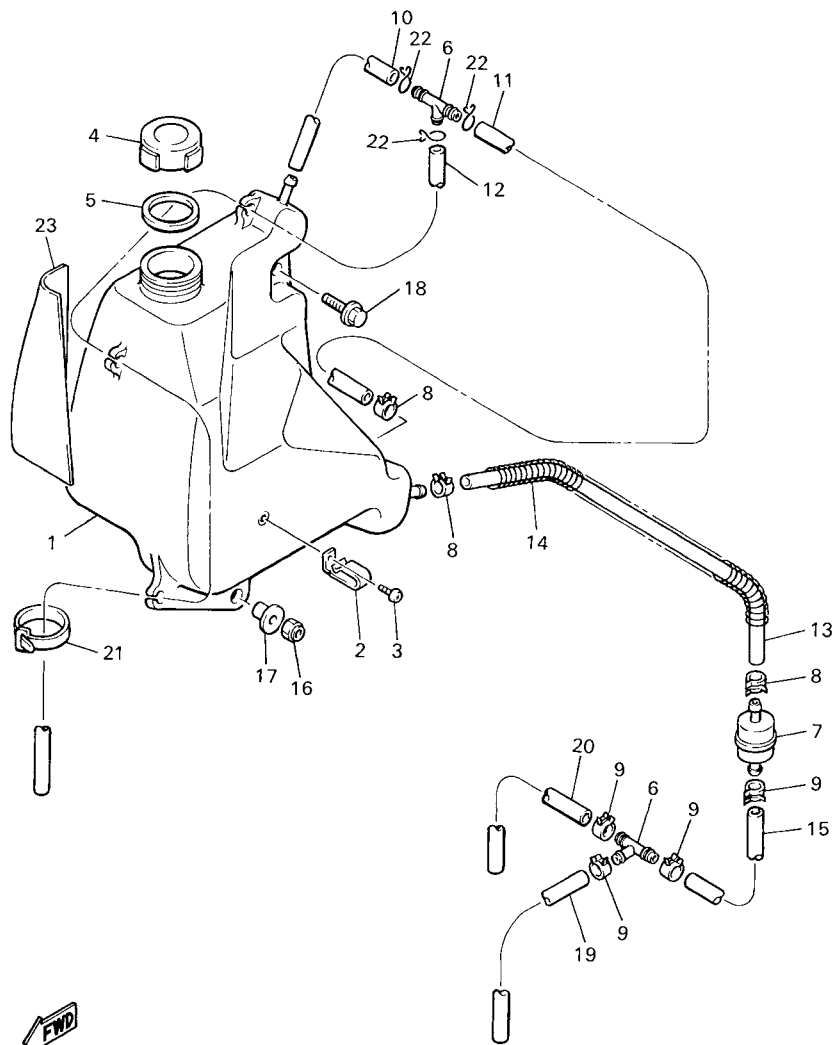
FIG. 12 SECONDARY SHEAVE

REF. NO.	PART NO.	DESCRIPTION	QTY			REMARKS
1	88R-17660-03	SECONDARY FIXED SHEAVE COMP.	1			
2	8AT-17670-01	SECONDARY SLIDING SHEAVE	1			
3	8X6-17688-00	.SHOE, RAMP	3			
4	90154-06062	.SCREW, BINDING	3			
5	90384-90081	.BUSH, BIMETAL FORMED	1			
6	90201-345G2	WASHER, PLATE	2			
7	90214-29060	WASHER, CLAW	1			
8	93440-34170	CIRCLIP	1			
9	8AT-17684-01	SEAT, SECONDARY SPRING	1			
10	90508-50746	SPRING, TORSION	1			
11	88N-17680-02	SECONDARY SHAFT COMP.	1			
12	88N-47631-00	HOUSING, BEARING	1			
13	93306-20582	BEARING	1			
14	99009-52500	CIRCLIP	1			
15	97027-08020	BOLT, HEXAGON	4			
16	92907-08600	WASHER, PLATE	4			
17	90201-252F1	WASHER, PLATE (T0.5)	1			UR UN
	90201-25527	WASHER, PLATE (T1.0)	2			UR UN
	90201-25526	WASHER, PLATE (T2.0)	2			UR UN
18	90201-257J2	WASHER, PLATE	2			
19	93410-25017	CIRCLIP	1			
20	90201-104A7	WASHER, PLATE	1			
21	95817-10020	BOLT, FLANGE	1			
22	90465-08316	CLAMP	1			

FIG. 13 ENGINE BRACKET



REF. NO.	PART NO.	DESCRIPTION	QTY				REMARKS
1	8H8-21411-01	BRACKET, ENGINE 1	1				
2	83R-21419-00	BRACKET, ENGINE 2	1				
3	8H8-21429-01	BRACKET, ENGINE 3	1				
4	8N7-21486-00	DAMPER 2	3				
5	8V9-21485-00	DAMPER, RUBBER 1	1				
6	8V9-21486-00	DAMPER 2	1				
7	95817-10045	BOLT, FLANGE	1				
8	90380-10129	BUSH, SOLID	1				
9	90201-257G7	WASHER, PLATE	1				
10	90201-107G8	WASHER, PLATE	1				
11	90201-10321	WASHER, PLATE	3				
12	90201-12317	WASHER, PLATE	1				
13	95707-10500	NUT, FLANGE	6				
14	95707-12500	NUT, FLANGE	1				
15	8AT-21417-00	BRACKET, FRONT LOWER 1	1				
16	8H8-21418-01	BRACKET, FRONT LOWER 2	1				
17	8H8-21427-00	BRACKET, REAR LOWER 1	1				



8AC6100-9140

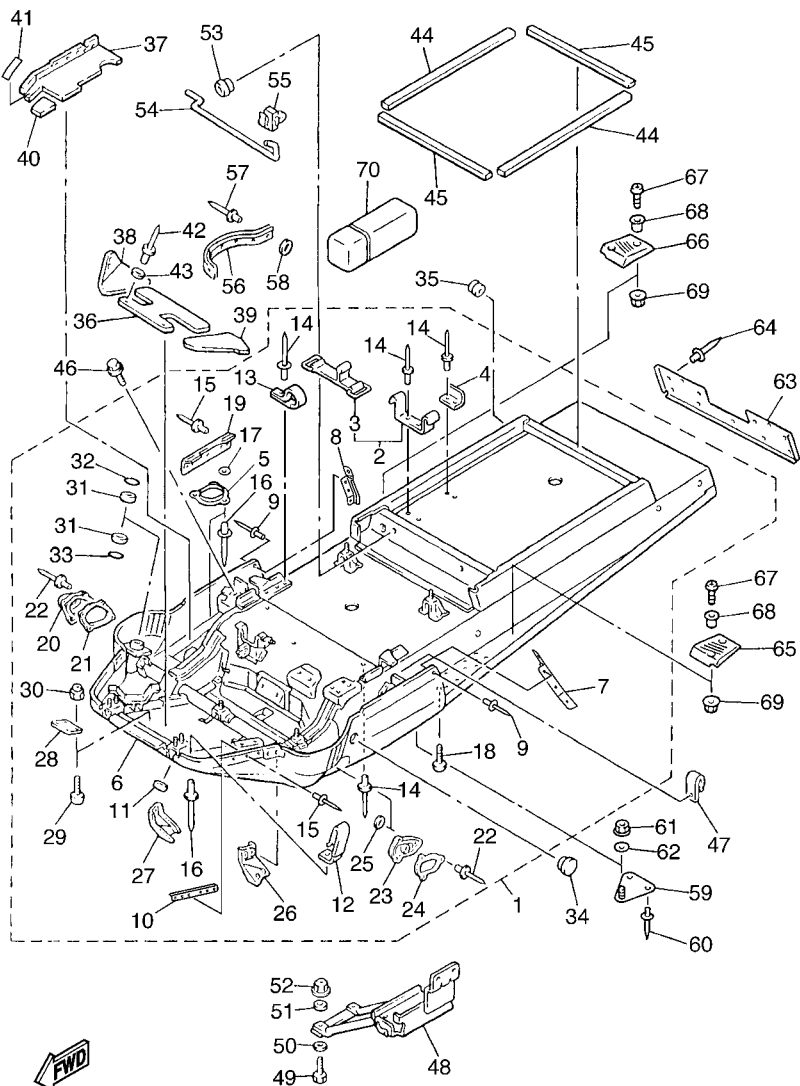
FIG. 14 OIL TANK

REF. NO.	PART NO.	DESCRIPTION	QTY				REMARKS
1	83R-21751-00	TANK, OIL	1				
2	90462-10209	CLAMP	1				
3	98907-06010	SCREW, BIND	1				
4	863-21771-00	BODY, CAP	1				
5	90430-31003	GASKET	1				
6	801-24376-00	PIPE, JOINT 1	2				
7	8G8-13410-00	STRAINER HOUSING ASSY	1				
8	90467-11032	CLIP	2				
9	90467-09026	CLIP	4				
10	91A30-05010	TUBE, FLEXIBLE VINYL	1				
11	91A30-05120	TUBE, FLEXIBLE VINYL	1				
12	91A30-05085	TUBE, FLEXIBLE VINYL	1				
13	91A30-07016	TUBE, FLEXIBLE VINYL	1				
14	84M-24327-00	PROTECTOR, PIPE	1				
15	91A30-05004	TUBE, FLEXIBLE VINYL	1				
16	95607-06100	NUT, U	1				
17	90387-061U9	COLLAR	2				
18	95807-06016	BOLT, FLANGE	1				
19	91A30-05052	TUBE, FLEXIBLE VINYL	1				
20	91A30-05060	TUBE, FLEXIBLE VINYL	1				
21	90464-16061	CLAMP	1				
22	90467-08017	CLIP	3				
23	8AT-21747-00	DAMPER	1				



FIG. 15 FRAME

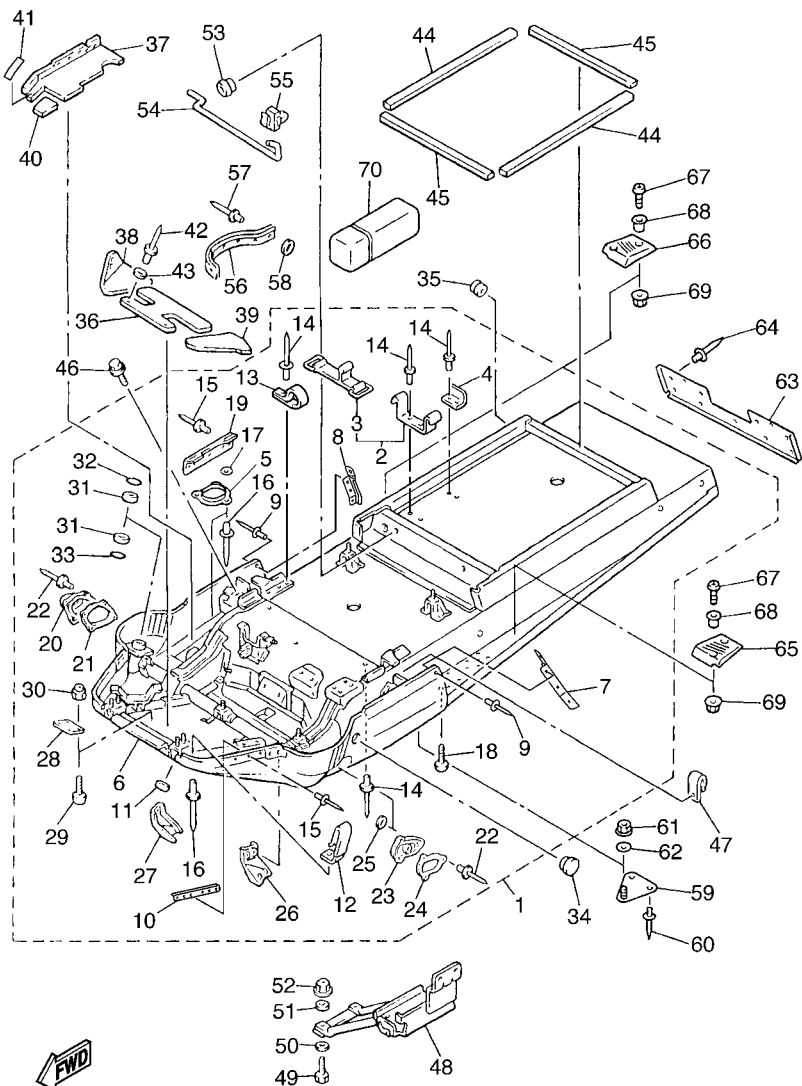
REF. NO.	PART NO.	DESCRIPTION	QTY				REMARKS
1	8AC-21910-30	FRAME COMP.	1				
2	81E-21945-00	.BRACKET, TOOL BOX FITTING	1				
3	4J2-82131-01	..BAND, BATTERY	1				
4	83R-21955-00	.BRACKET, TOOL BOX FITTING	1				
5	83R-2198F-00	.COVER 1	1				
6	8AC-21912-00	.PANEL, SUB FRAME 1	1				
7	83R-21986-00	.REINFORCEMENT, FRAME 1	1				
8	83R-21987-00	.REINFORCEMENT, FRAME 2	1				
9	90267-49152	.RIVET, BLIND (4.9X16.1)	6				
10	8AC-21965-00	.PATCH 5	2				
11	90387-081R2	.COLLAR	2				
12	90465-08368	.CLAMP	5				
13	90462-05059	.CLAMP	1				
14	90267-48060	.RIVET,BLIND (4.8X12.9 BLACK)	40				
15	90267-48051	.RIVET, BLIND (4.8X18.7 BLACK)	14				
16	90267-48018	.RIVET, BLIND (4.8X18.6 BLACK)	42				
17	90201-04325	.WASHER, PLATE	3				
18	98907-06016	.SCREW, BIND	4				
19	8AT-77527-01	.PLATE, BACK UP	2				
20	8AT-23818-00	.COVER, STEERING	1				
21	8AT-77526-00	.WASHER 2	1				
22	90267-40029	.RIVET, BLIND (4X18 BLACK)	7				
23	8M6-2198F-00	.COVER 1	1				
24	8M6-21998-00	.SPACER	1				
25	90201-043H5	.WASHER, PLATE	3				
26	8AT-2194Y-00	.BRACKET, FRONT GUARD 3	1				
27	8AT-2195Y-00	.BRACKET, FRONT GUARD 4	1				



8ACL100-G150

FIG. 15 FRAME

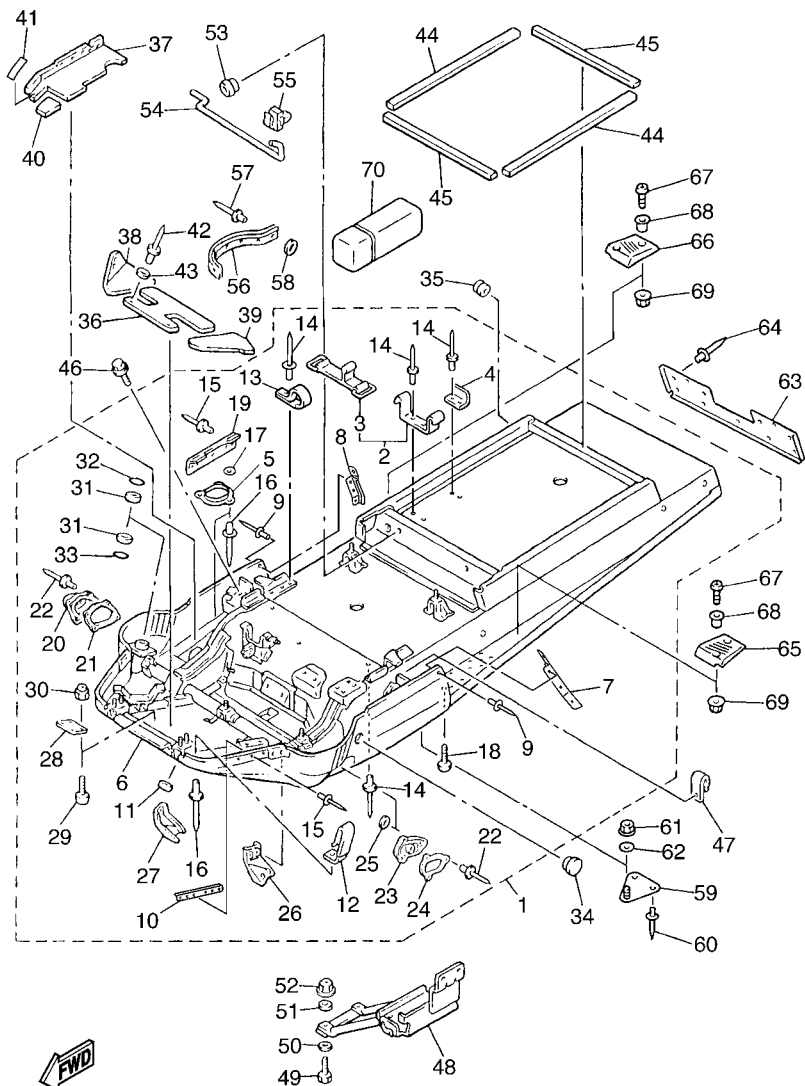
REF. NO.	PART NO.	DESCRIPTION	QTY				REMARKS
28	89X-21917-00	.PANEL, SUB FRAME 6	2				
29	98907-05014	.SCREW, BIND	8				
30	95707-05300	.NUT, FLANGE	8				
31	90384-36134	.BUSH, BIMETAL FORMED	4				
32	93102-36232	.OIL SEAL	2				
33	93103-36117	.OIL SEAL	2				
34	90338-44093	PLUG	3				
35	90480-15061	GROMMET	1				
36	8AT-77271-00	DAMPER, NOISE 11	1				
37	8AC-77272-00	DAMPER, NOISE 12	1				
38	8AT-77273-10	DAMPER, NOISE 13	1				
39	8AT-77274-00	DAMPER, NOISE 14	1				
40	8AT-77275-00	DAMPER, NOISE 15	1				
41	8CR-77165-00	TRIM 1	1				
42	90267-48018	RIVET, BLIND (4.8X18.6 BLACK)	2				
43	90201-04325	WASHER, PLATE	2				
44	83R-7717E-00	TAPE 1	2				
45	83R-7717F-00	TAPE 2	2				
46	95807-06012	BOLT, FLANGE	4				
47	90465-08125	CLAMP	1				
48	8AT-2199G-01	BRACKET, BATTERY	1				
49	97027-06025	BOLT, HEXAGON	2				
50	90201-06778	WASHER, PLATE	2				
51	90201-063A5	WASHER, PLATE	2				
52	95707-06300	NUT, NYLON	2				
53	90480-10348	GROMMET	1				
54	85R-2471A-00	STAY, SEAT	1				



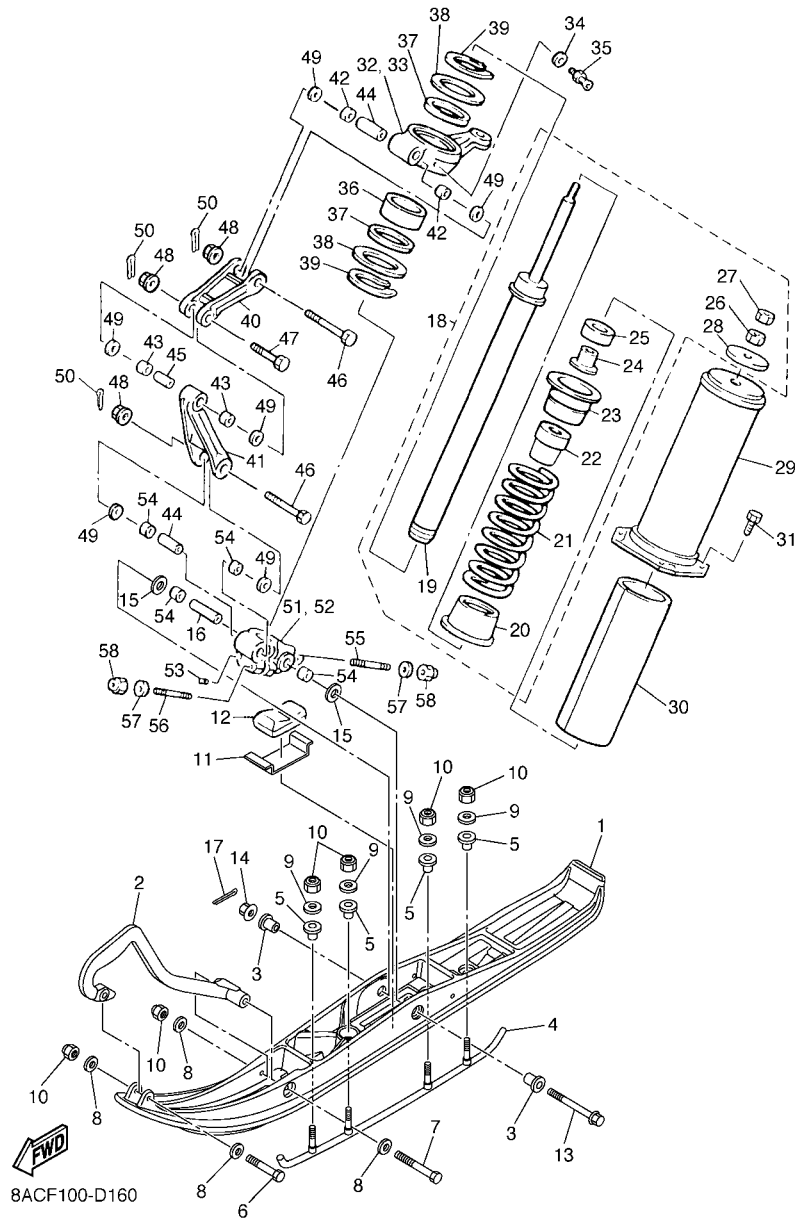
8ACL100-G150

FIG. 15 FRAME

REF. NO.	PART NO.	DESCRIPTION	QTY				REMARKS
55	85R-2639F-00	HOLDER 2	1				
56	8AT-2196T-00	TRIM 1	2				
57	90267-40172	RIVET, BLIND (4X19)	12				
58	90201-042E0	WASHER, PLATE	12				
59	8AC-2198G-00	COVER 2	1				
60	90267-47186	RIVET, BLIND (4.7X16.4 BLACK)	2				
61	95707-06300	NUT, NYLON	1				
62	90201-067A0	WASHER, PLATE	1				
63	8AC-21933-00	REINFORCEMENT, FRAME REAR 2	1				
64	90267-47186	RIVET, BLIND (4.7X16.4 BLACK)	6				
65	88T-27431-10	FOOTREST, REAR 1	1				
66	88T-27441-10	FOOTREST, REAR 2	1				
67	98907-06025	SCREW, BIND	4				
68	90387-063E6	COLLAR	4				
69	95707-06500	NUT, FLANGE	4				
70	85L-28100-00	TOOL KIT	1				



8ACL100-G150



8ACF100-D160

FIG. 16 SKI

REF. NO.	PART NO.	DESCRIPTION	QTY				REMARKS
1	8AC-23711-00	SKI 1	2				
2	8DM-23712-00	REINFORCEMENT, HEAD	2				
3	8AC-23754-00	COLLAR, 1	4				
4	8EN-23731-01	RUNNER 1	2				
5	8EK-23751-00	BUSH, SKI 1	8				
6	97027-08055	BOLT, HEXAGON	2				
7	97027-08100	BOLT, HEXAGON	2				
8	90201-08784	WASHER, PLATE	8				
9	90201-086P8	WASHER, PLATE	8				
10	95707-08300	NUT, NYLON	12				
11	8AC-23765-00	STOPPER	2				
12	88T-23743-00	STOPPER 1	2				
13	90105-10106	BOLT, FLANGE	2				
14	95607-10200	NUT, U FLANGE	2				
15	90201-100S7	WASHER, PLATE	4				
16	90387-106J3	COLLAR	2				
17	91401-20020	PIN, COTTER	2				
18	8AC-2376A-00	ABSORBER ASSY 1	2				
19	8AT-22401-00	.DAMPER SUB ASSY	1				
20	82M-23777-00	.SEAT, SPRING 2	1				
21	90501-75612	.SPRING, COMPRESSION	1				
22	89L-22493-00	.BUMP, STOP	1				
23	8L0-23788-00	.PLATE, BACK UP	1				
24	90387-084R1	.COLLAR	1				
25	82M-23779-00	.WASHER	1				
26	90170-08220	.NUT	1				
27	95307-08600	.NUT	1				

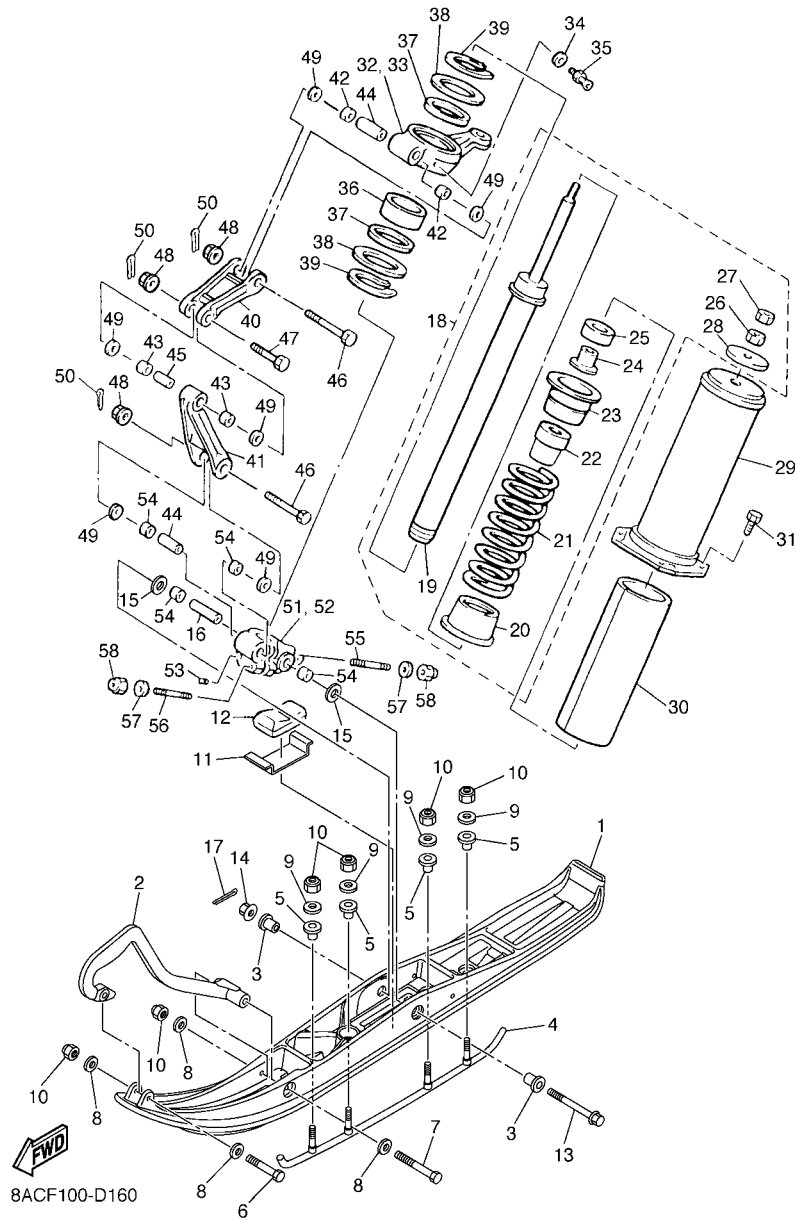
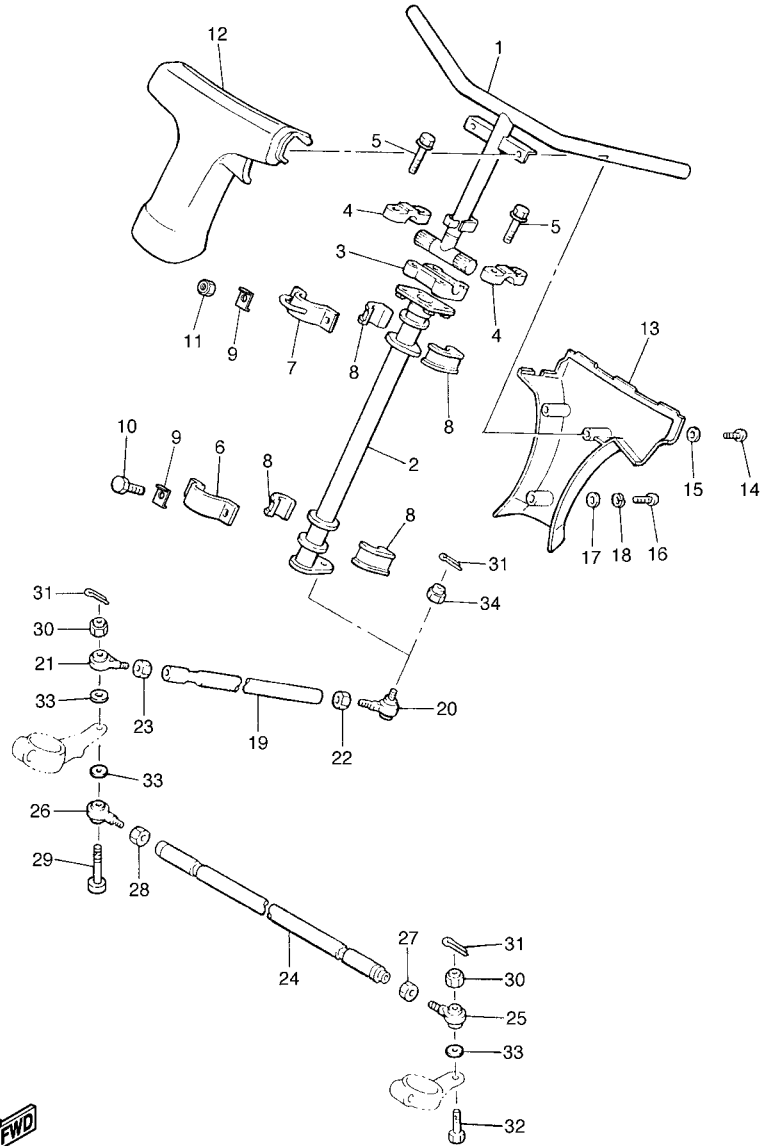


FIG. 16 SKI

REF. NO.	PART NO.	DESCRIPTION	QTY			REMARKS
28	90201-080L1	.WASHER, PLATE	1			
29	8AT-2376J-00	HOLDER, ABSORBER	2			
30	8L0-2376R-00	PROTECTOR	2			
31	97027-06020	BOLT, HEXAGON	8			
32	82M-23851-00	ARM, OUTSIDE 1 (L,H)	1			
33	8AT-23852-00	ARM, OUTSIDE 2	1			
34	90201-067F9	WASHER, PLATE	2			
35	93700-06004	NIPPLE, GREASE	2			
36	90384-53175	BUSH, BIMETAL FORMED	2			
37	93109-53036	OIL SEAL	4			
38	90201-536A1	WASHER, PLATE (T=1.0)	4			UR UN
	90201-535H6	WASHER, PLATE (T=2.0)	4			UR UN
39	93410-52061	CIRCLIP	4			
40	8L0-2382E-01	ARM, FRONT 1	2			
41	8L0-2382F-00	ARM, FRONT 2	2			
42	90384-14091	BUSH, BIMETAL FORMED	4			
43	90384-14096	BUSH, BIMETAL FORMED	4			
44	90387-101Y9	COLLAR	4			
45	90387-100A4	COLLAR	2			
46	90102-10039	BOLT, WITH HOLE	4			
47	90102-10067	BOLT, WITH HOLE	2			
48	95707-10300	NUT, FLANGE	6			
49	90202-14037	WASHER, PLATE	12			
50	91401-20020	PIN, COTTER	6			
51	84M-2376E-00	BRACKET 1	1			(L,H)
52	84M-2377E-00	BRACKET 2	1			(R,H)
53	90113-06039	BOLT, SET	2			





8ACF100-D170

FIG. 17 STEERING

REF. NO.	PART NO.	DESCRIPTION	QTY				REMARKS
1	8AU-23811-10	COLUMN, STEERING	1				
2	8AT-23813-01	COLUMN, STEERING 2	1				
3	8G5-23814-00	HOLDER,HANDLE UNDER	1				
4	8K1-23814-00	HOLDER, HANDLE	2				
5	95827-08055	BOLT, FLANGE	4				
6	84M-23868-00	BRACKET, STEERING LOWER	1				
7	84M-23872-00	HOLDER, BEARING	1				
8	8F3-23812-00	PLANE BEARING, STEERING	4				
9	8AC-23894-01	WASHER, LOCK 1	4				
10	90101-08005	BOLT	2				
11	90185-08054	NUT, SELF-LOCKING	2				
12	8W9-23815-00	PAD, STEERING	1				
13	8W9-23817-00	PAD, STEERING	1				
14	98507-05030	SCREW, PAN HEAD	2				
15	92907-05600	WASHER, PLATE	2				
16	98507-05008	SCREW, PAN HEAD	1				
17	92907-05200	WASHER	1				
18	92907-05100	WASHER, SPRING	1				
19	8AT-23821-00	ROD, STEERING RELAY	1				
20	86X-23841-00	JOINT, UNIVERSAL 1	1				
21	87S-23847-01	JOINT, UNIVERSAL 3	1				(L.H. THREAD)
22	95307-10700	NUT	1				
23	90170-10186	NUT	1				(L.H. THREAD)
24	8AT-23831-00	ROD, TIE	1				
25	87S-23845-01	JOINT, UNIVERSAL 2	1				
26	87S-23847-01	JOINT, UNIVERSAL 3	1				(L.H. THREAD)
27	95307-10700	NUT	1				







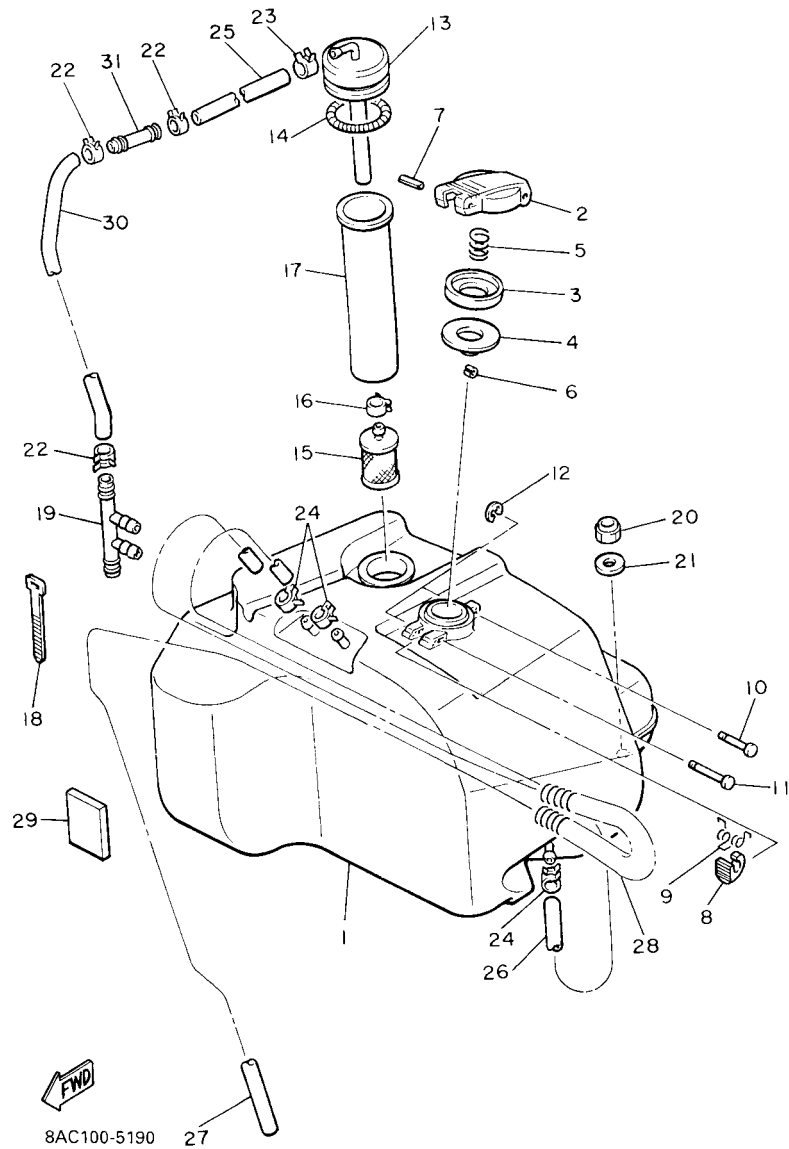


FIG. 19 FUEL TANK

REF. NO.	PART NO.	DESCRIPTION	QTY				REMARKS
1	83R-24111-00	TANK, FUEL	1				
2	8W6-24611-00	BODY, CAP	1				
3	813-24613-01	DISC, CAP	1				
4	8F7-24641-00	GASKET, CAP 1	1				
5	90501-20130	SPRING, COMPRESSION	1				
6	91609-30016	PIN, SPRING	1				
7	91609-25050	PIN, SPRING	1				
8	83M-24628-00	HOOK	1				
9	90508-10715	SPRING, TORSION	1				
10	90249-03175	PIN	1				
11	90249-03017	PIN	1				
12	93430-02001	CIRCLIP	2				
13	83R-24335-00	PIPE, SUCTION 1	1				
14	90506-06065	SPRING, TENSION	1				
15	8H5-24560-00	FILTER ASSY	1				
16	90467-11032	CLIP	1				
17	813-24336-00	PIPE, SUCTION 2	1				
18	341-26397-01	BAND	5				
19	82M-24376-00	PIPE, JOINT 1	1				
20	95707-08300	NUT, NYLON	2				
21	90201-08784	WASHER, PLATE	2				
22	90467-11009	CLIP	3				
23	90467-11032	CLIP	1				
24	90467-09026	CLIP	3				
25	90445-115K6	HOSE (L390)	1				
26	90445-095F1	HOSE (L650)	1				
27	91A20-05145	TUBE, FLEXIBLE VINYL	1				

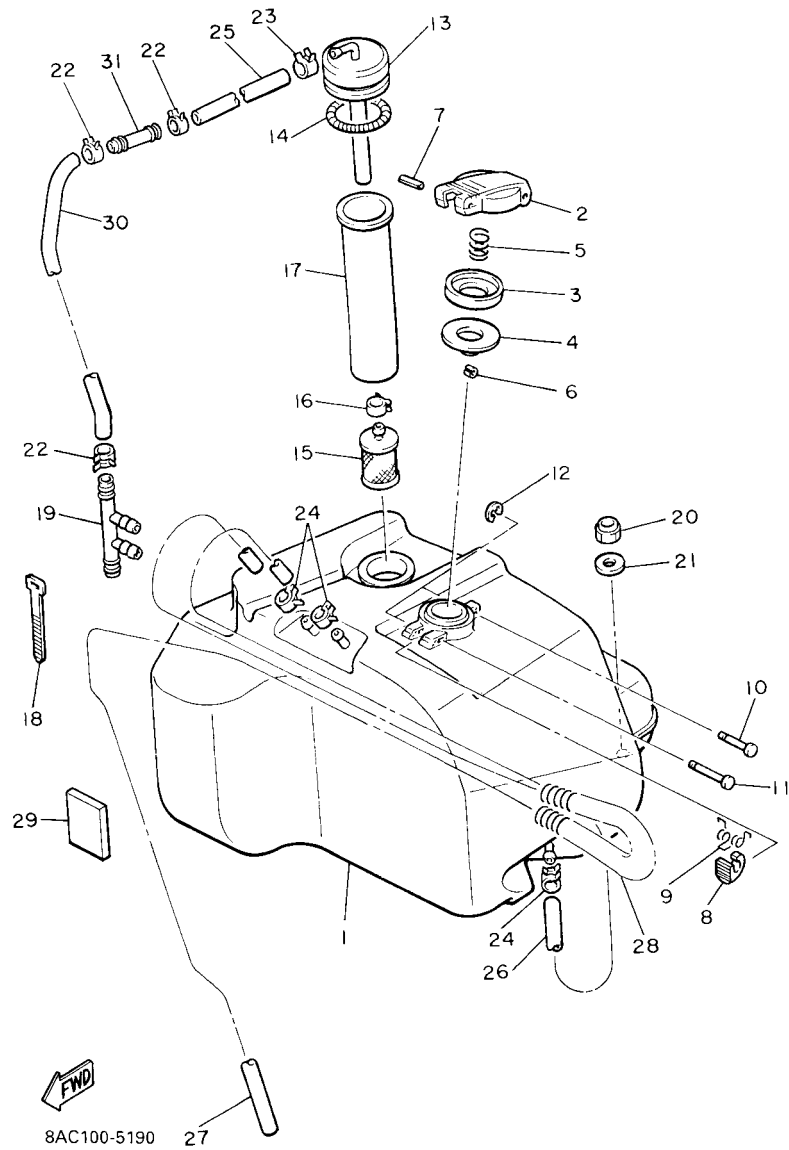
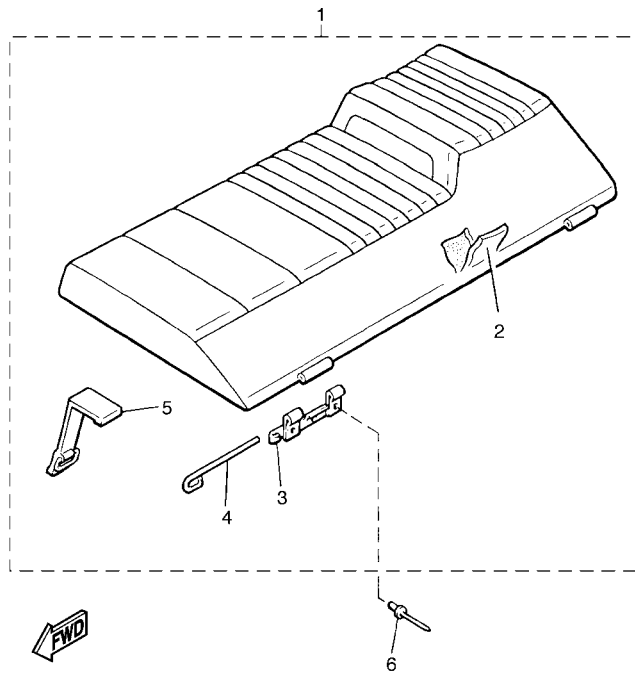
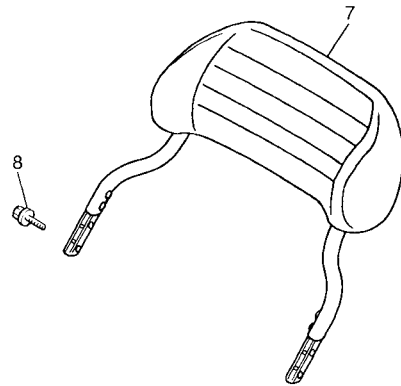


FIG. 19 FUEL TANK

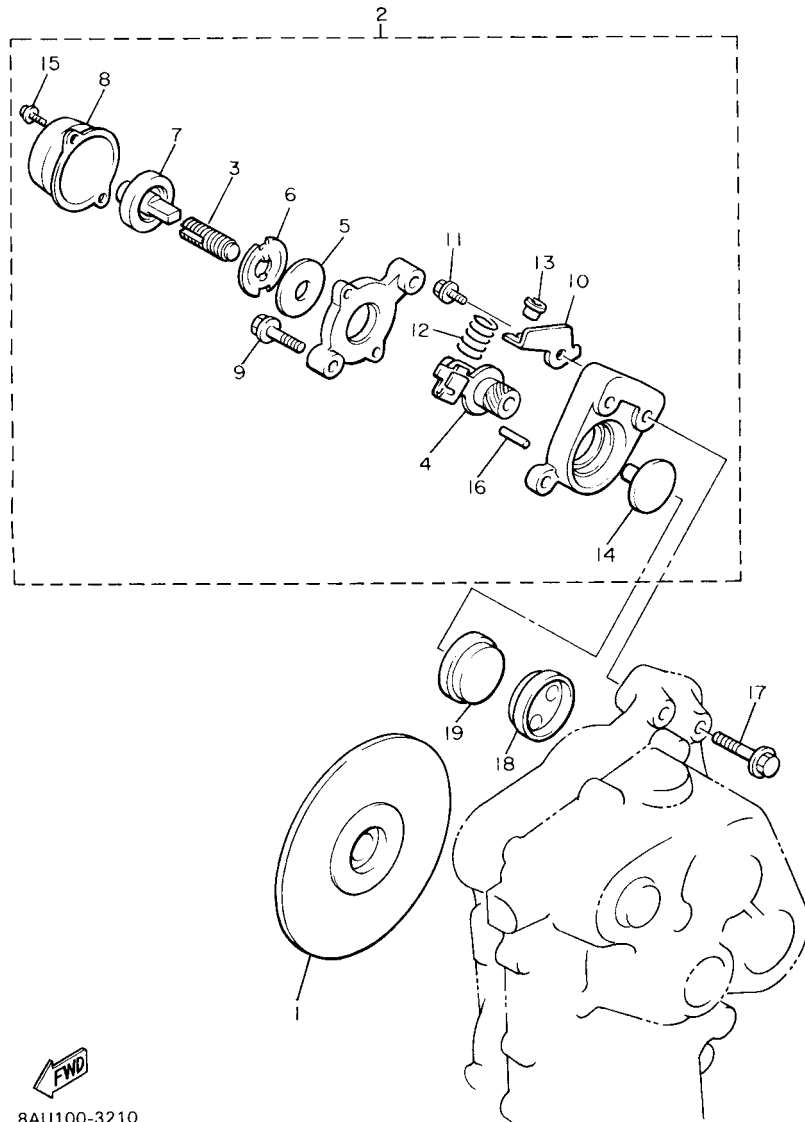
REF. NO.	PART NO.	DESCRIPTION	8/TT				REMARKS
28	81E-24328-00	PROTECTOR, PIPE	1				
29	8V0-23858-00	SPACER	1				
30	90445-114J9	HOSE (L265)	1				
31	878-24379-00	PIPE, JOINT 4	1				
-----							
-----							
-----							
-----							
-----							
-----							
-----							
-----							
-----							



8ACD100-C200

FIG. 20 SEAT

REF. NO.	PART NO.	DESCRIPTION	QTY				REMARKS
1	8AC-24730-20	DOUBLE SEAT ASSY	1				
2	8AC-2470F-20	.SEAT COVER COMP.	1				
3	83R-24729-00	.SPACER 2	2				
4	86V-77384-00	.PIN	2				
5	8AT-24778-00	.BAND, SEAT FITTING	2				
6	90267-48060	RIVET,BLIND (4.8X12.9 BLACK)	6				
7	8AC-24790-20	SEAT BACK ASSY	1				
8	90105-06437	BOLT, FLANGE	4				

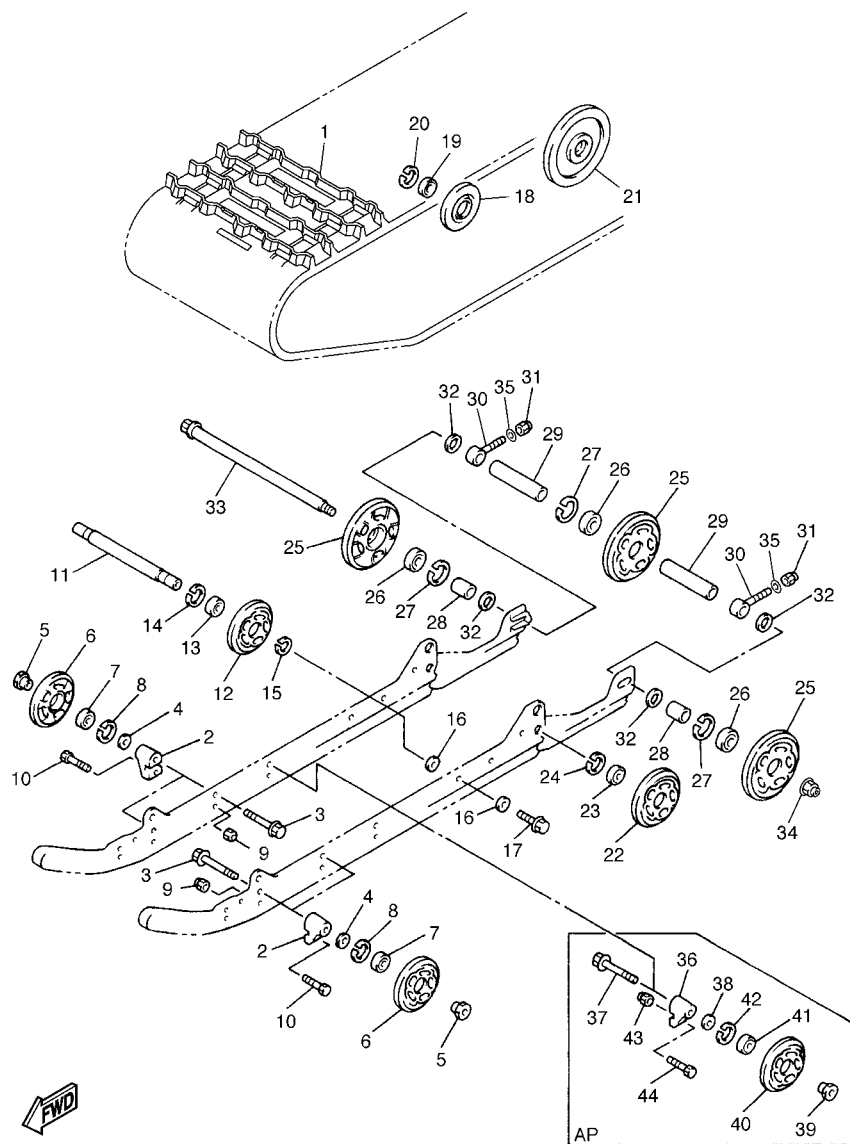


8AU100-3210

FIG. 21 BRAKE

REF. NO.	PART NO.	DESCRIPTION	QTY				REMARKS
1	83R-25831-00	DISC, BRAKE (RIGHT)	1				
2	87R-25730-01	CALIPER BODY COMP.1	1				
3	86M-25738-00	.SCREW, ADJUSTING 1	1				
4	87R-25726-01	.LEVER, BRAKE	1				
5	86M-25827-00	.SHIM, CALIPER	1				
6	86M-25773-00	.LOCK, ONE WAY 2	1				
7	86M-25771-00	.RATCHET, ADJUSTING	1				
8	86M-25772-00	.COVER	1				
9	86M-25818-00	.BOLT, CALIPER	2				
10	87R-25721-00	.BRACKET, CALIPER	1				
11	86M-25826-00	.BOLT 3	1				
12	87R-25743-00	.SPRING	1				
13	87R-25722-00	.BRACKET, ADJUSTING	1				
14	86M-25733-00	.PLATE, BACK UP	1				
15	86M-25833-00	.BOLT, FITTING	2				
16	86M-25744-00	.PIN 2	1				
17	95827-10050	BOLT, FLANGE	2				
18	89J-25811-00	PAD, CALIPER 2	1				
19	89J-25911-00	PAD, CALIPER 2	1				

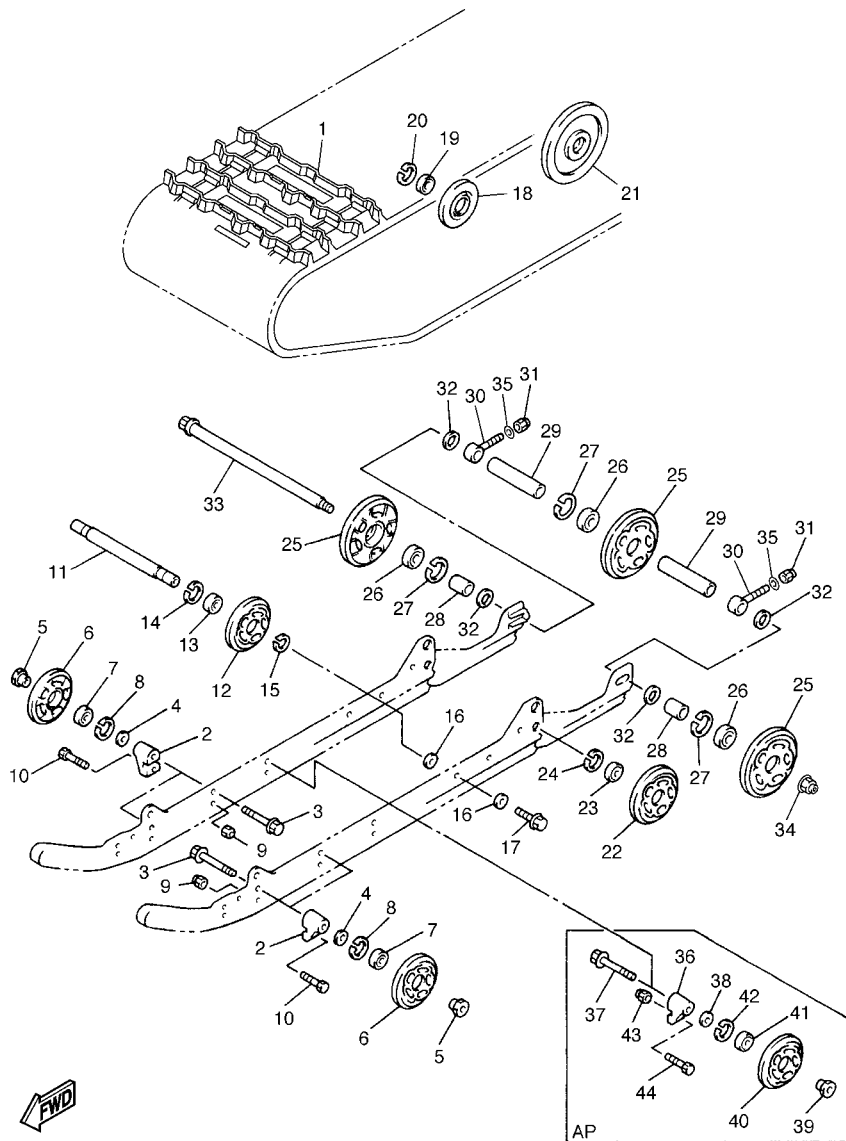




8ACH100-E230

FIG. 23 TRACK SUSPENSION 1

REF. NO.	PART NO.	DESCRIPTION	QTY				REMARKS
1	8AC-47110-10	TRACK ASSY	1				
2	8CM-47419-10	BRACKET 7	4				
3	90105-10769	BOLT, FLANGE	4				
4	90201-100L3	WASHER, PLATE	4				
5	90179-10670	NUT	4				
6	87M-47320-00	SUSPENSION WHEEL COMP.	4				
7	93306-00444	BEARING	4				
8	99009-42500	CIRCLIP	4				
9	95607-08200	NUT, SELF-LOCKING	4				
10	90101-08774	BOLT	4				
11	8AT-47486-00	SHAFT 4	1				
12	87M-47320-00	SUSPENSION WHEEL COMP.	2				
13	93306-00444	BEARING	2				
14	99009-42500	CIRCLIP	2				
15	99009-20400	CIRCLIP	2				
16	90201-100L3	WASHER, PLATE	4				
17	90105-10433	BOLT, FLANGE	2				
18	8AC-47320-00	SUSPENSION WHEEL COMP.	2				
19	93306-00444	BEARING	2				
20	99009-42500	CIRCLIP	2				
21	8AC-47550-00	GUIDE WHEEL ASSY	2				
22	8U7-47320-00	SUSPENSION WHEEL COMP.	2				
23	93306-00444	BEARING	2				
24	99009-42500	CIRCLIP	2				
25	8K2-47530-00	GUIDE WHEEL COMP.	3				
26	93306-20469	BEARING	3				
27	99009-47500	CIRCLIP	3				

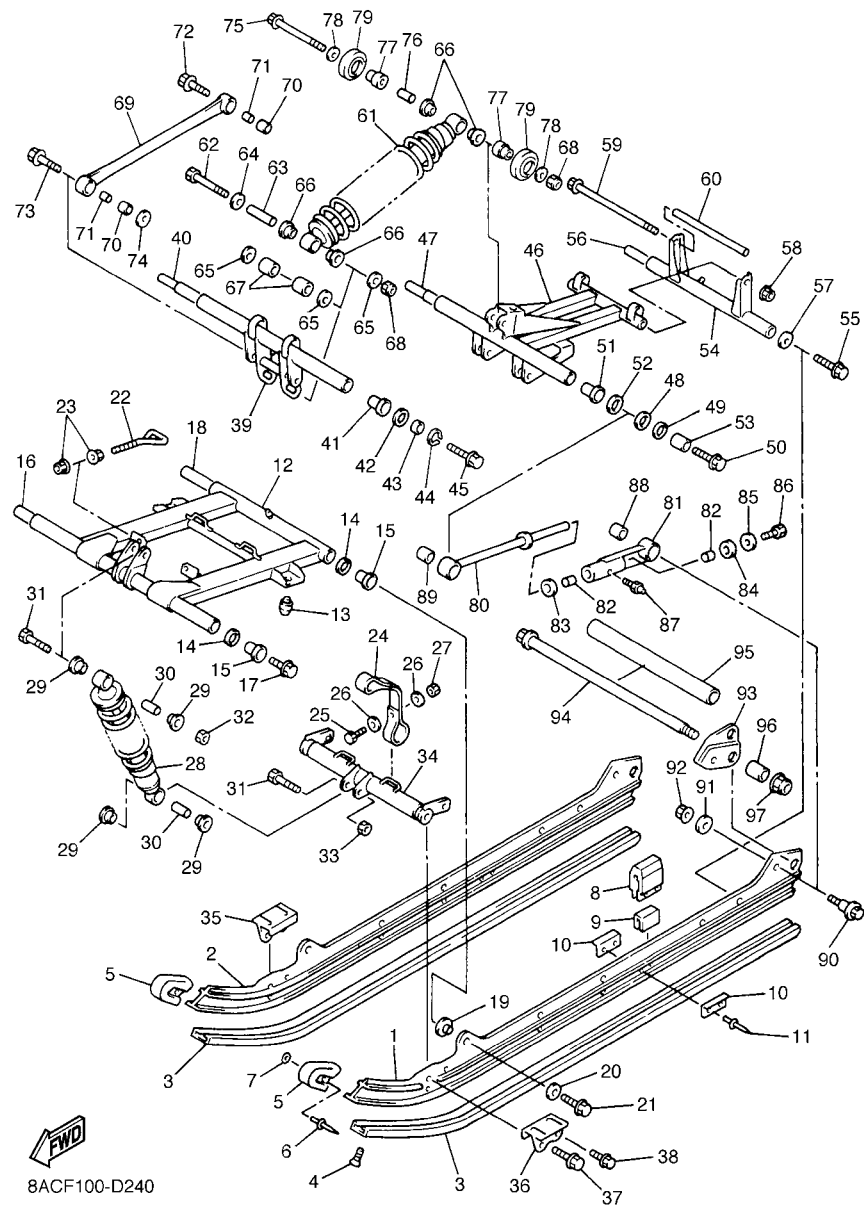


8ACH100-E230

FIG. 23 TRACK SUSPENSION 1

REF. NO.	PART NO.	DESCRIPTION	QTY				REMARKS
28	90387-200U9	COLLAR	2				
29	90387-205T6	COLLAR	2				
30	8DM-47479-00	COLLAR 3	2				
31	95707-10300	NUT, FLANGE	2				
32	90201-205R6	WASHER, PLATE	4				
33	83R-47520-10	REAR AXLE COMP.	1				
34	95607-14200	NUT, SELF-LOCKING	1				
35	92907-10600	WASHER, PLATE	2				
36	8CM-47419-10	BRACKET 7	2				AP
37	90105-10029	BOLT, FLANGE	2				AP
38	90201-100L3	WASHER, PLATE	2				AP
39	90179-10670	NUT	2				AP
40	87M-47320-00	SUSPENSION WHEEL COMP.	2				AP
41	93306-00444	BEARING	2				AP
42	99009-42500	CIRCLIP	2				AP
43	95607-08200	NUT, SELF-LOCKING	2				AP
44	90101-08774	BOLT	2				AP





8ACF100-D240

FIG. 24 TRACK SUSPENSION 2

REF. NO.	PART NO.	DESCRIPTION	QTY			REMARKS
1	8AC-47411-10	FRAME, SLIDING 1	1			
2	8AC-47414-10	FRAME, SLIDING 4	1			
3	8AC-47421-00	RUNNER, SLIDING 1	2			
4	90151-06010	SCREW, COUNTERSUNK	2			
5	8ED-47422-00	RUNNER, SLIDING 2	2			
6	90267-48194	RIVET, BLIND (4.8X28 SILVER)	2			
7	90201-047R8	WASHER, PLATE	2			
8	8AC-47457-00	DAMPER 2	2			
9	8AC-47341-00	SPACER	2			
10	8AX-47458-00	PLATE, DAMPER	4			
11	90267-48199	RIVET, BLIND (4.8X28.3)	4			
12	8AC-47331-00	ARM, PIVOT 1	1			
13	83M-21488-00	DAMPER	2			
14	90201-210U0	WASHER, PLATE	4			
15	90381-19111	BUSH, SOLID	4			
16	8AC-47465-00	SHAFT 1	1			
17	90105-103A1	BOLT, FLANGE	2			
18	83R-47485-02	SHAFT 3	1			
19	90387-105G6	COLLAR	2			
20	90201-100L3	WASHER, PLATE	2			
21	90105-10433	BOLT, FLANGE	2			
22	8CR-47448-00	HOOK 3	2			
23	95707-08500	NUT, FLANGE	4			
24	8CV-47495-00	STOPPER 1	2			
25	97007-06025	BOLT	4			
26	90201-06747	WASHER, PLATE	8			
27	95707-06300	NUT, NYLON	4			

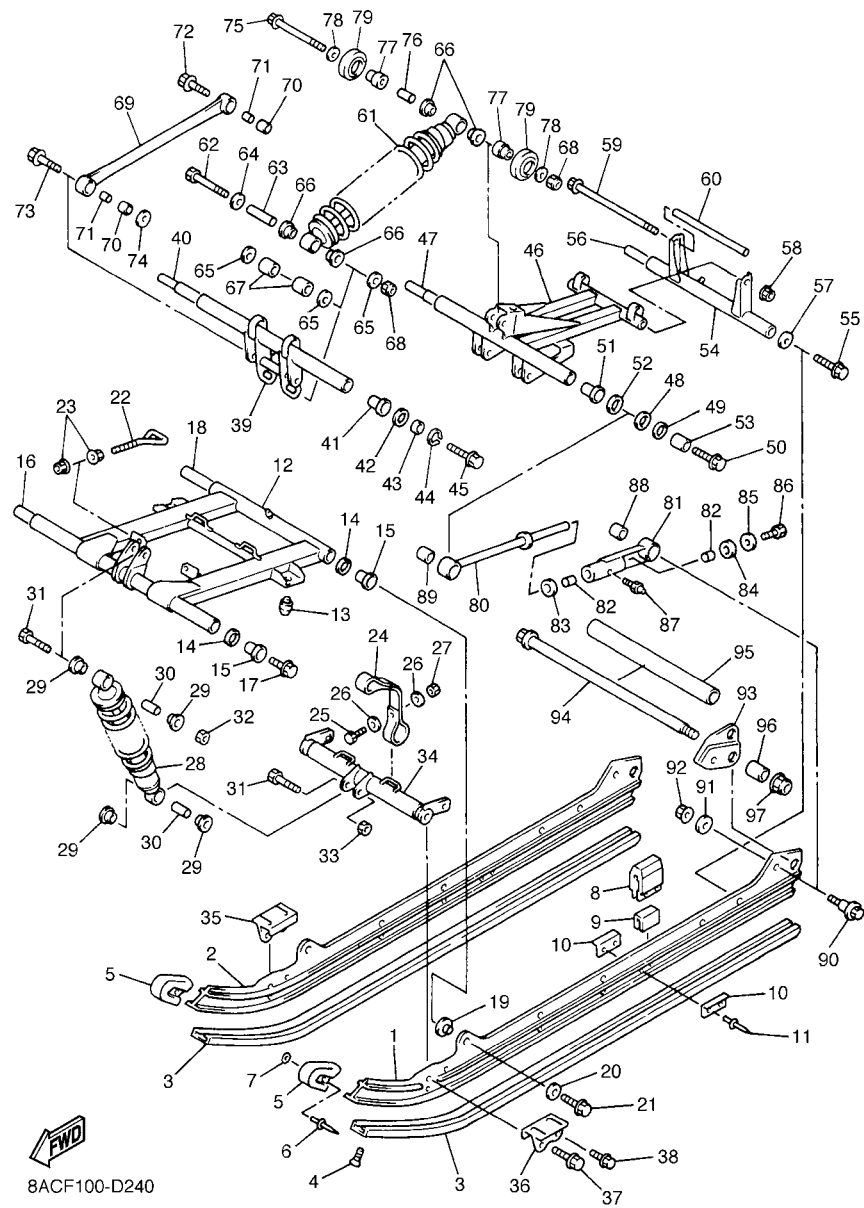
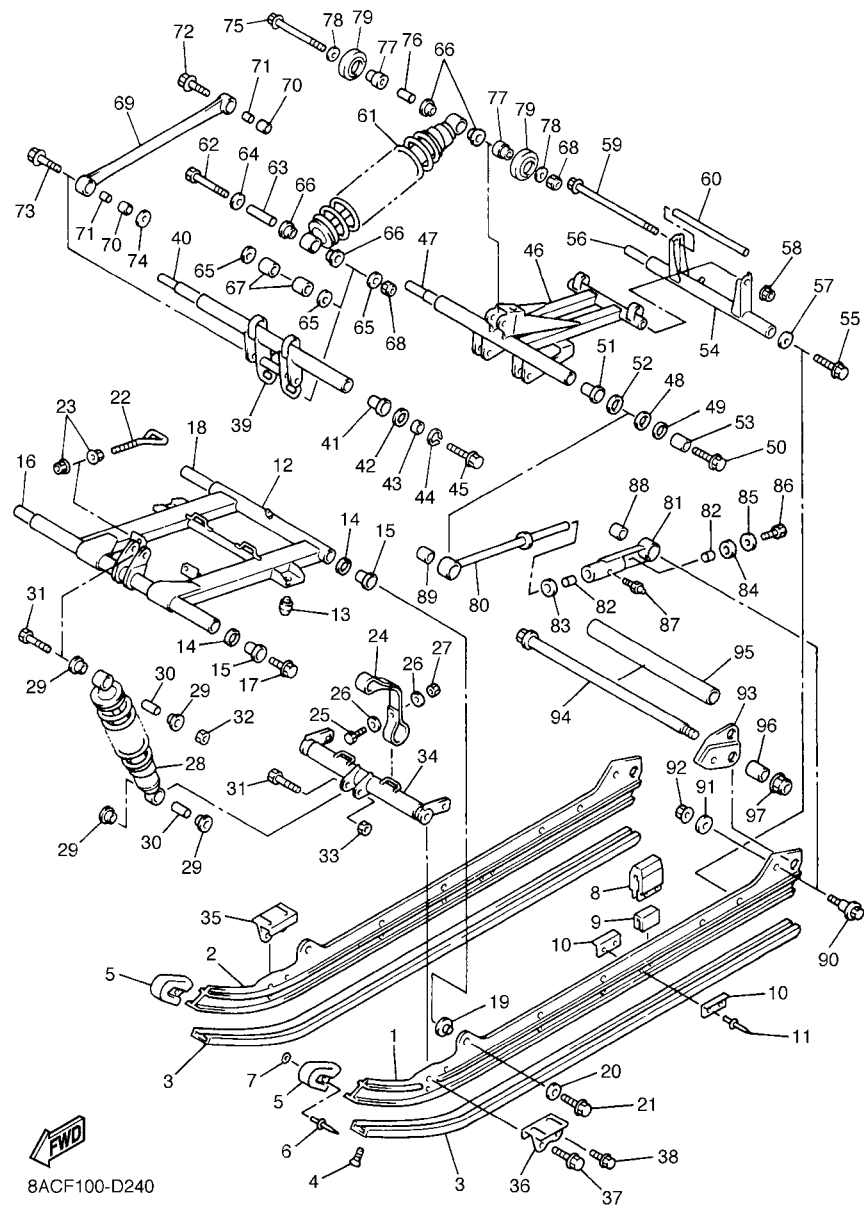


FIG. 24 TRACK SUSPENSION 2

REF. NO.	PART NO.	DESCRIPTION	QTY			REMARKS
28	8AC-47481-00	SHOCK ABSORBER 2	1			
29	90381-14101	BUSH, SOLID	4			
30	90387-105G5	COLLAR	2			
31	90101-10738	BOLT	2			
32	90185-10110	NUT, SELF-LOCKING	1			
33	95607-10100	NUT, U	1			
34	8AC-47418-00	BRACKET 4	1			
35	8DF-47463-01	BRACKET 5	1			
36	8DF-47464-01	BRACKET 6	1			
37	90105-10433	BOLT, FLANGE	2			
38	90105-08450	BOLT, FLANGE	2			
39	8AC-47416-01	BRACKET 2	1			
40	8AC-47488-10	SHAFT 6	1			
41	90381-22099	BUSH, SOLID	2			
42	90201-207J5	WASHER, PLATE	2			
43	90387-2004V	COLLAR	2			
44	99009-20400	CIRCLIP	2			
45	90105-103A1	BOLT, FLANGE	2			
46	8AC-47332-00	ARM, PIVOT 2	1			
47	8AC-47475-00	SHAFT 2	1			
48	90201-266L1	WASHER, PLATE	2			
49	90201-250T6	WASHER, PLATE	2			
50	90105-10433	BOLT, FLANGE	2			
51	90381-28108	BUSH, SOLID	2			
52	90201-286K9	WASHER, PLATE (T1.0)	2			
53	90387-2515E	COLLAR	2			
54	8AC-47417-00	BRACKET 3	1			



8ACF100-D240

FIG. 24 TRACK SUSPENSION 2

REF. NO.	PART NO.	DESCRIPTION	QTY				REMARKS
55	90105-10433	BOLT, FLANGE	2				
56	83R-47485-02	SHAFT 3	1				
57	90201-10136	WASHER, PLATE	2				
58	95607-08200	NUT, SELF-LOCKING	1				
59	95827-08220	BOLT, FLANGE	1				
60	90387-083G6	COLLAR	1				
61	8AC-47480-40	SHOCK ABSORBER	1				
62	8AC-4631K-00	BOLT, ADJUSTING	1				
63	90387-1009S	COLLAR	1				
64	90201-103U4	WASHER, PLATE	1				
65	90201-100U1	WASHER, PLATE	3				
66	90381-14101	BUSH, SOLID	4				
67	90387-1404R	COLLAR	2				
68	95607-10100	NUT, U	2				
69	8CR-47494-01	ROD, RELAY	2				
70	90381-14109	BUSH, SOLID	4				
71	90387-100X3	COLLAR	4				
72	90105-10739	BOLT, FLANGE	2				
73	90105-10436	BOLT, FLANGE	2				
74	90201-100U1	WASHER, PLATE	2				
75	90105-10105	BOLT, FLANGE	1				
76	90387-105G5	COLLAR	1				
77	8AC-47366-00	COLLAR 2	2				
78	90201-10136	WASHER, PLATE	2				
79	8AC-47310-10	SUSPENSION WHEEL ASSY	2				
80	8AC-4745A-10	ROD, CONTROL 1	2				
81	8CR-4745B-00	ROD, CONTROL 2	2				

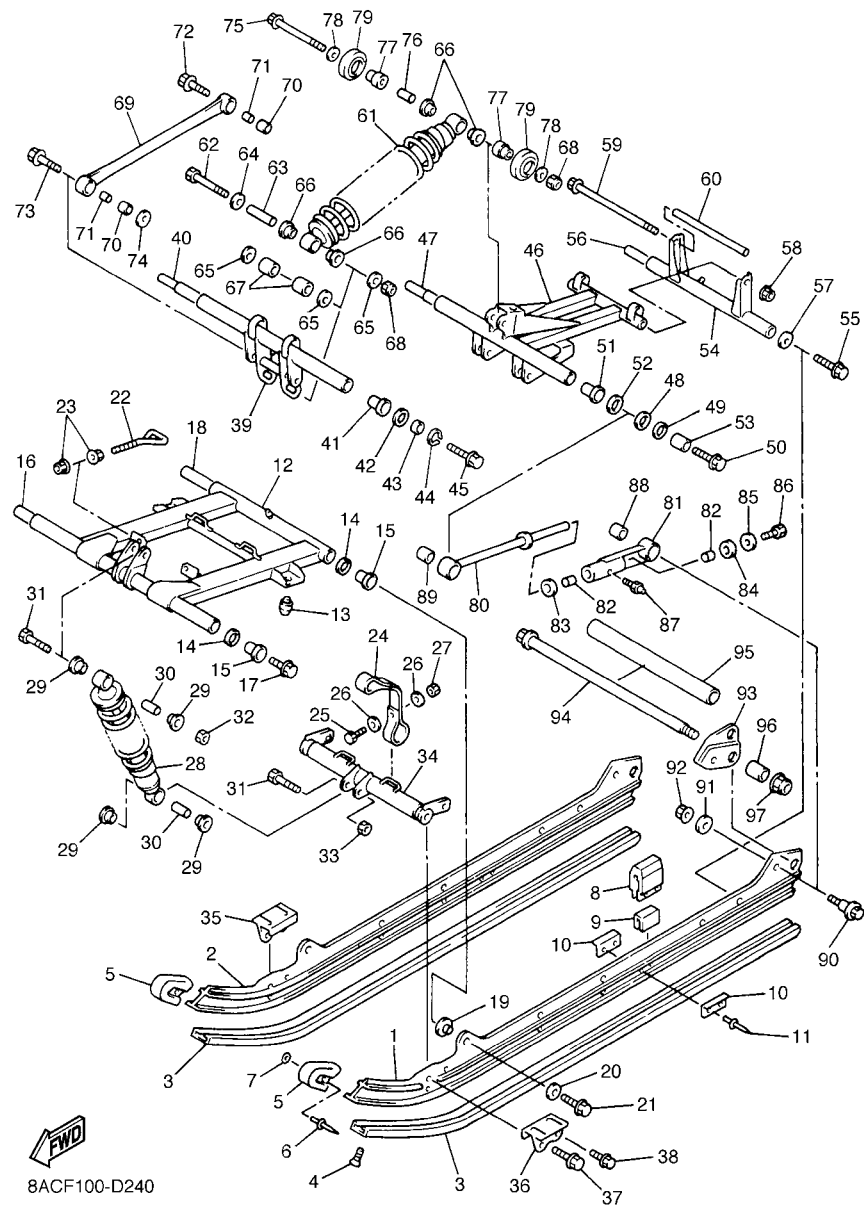
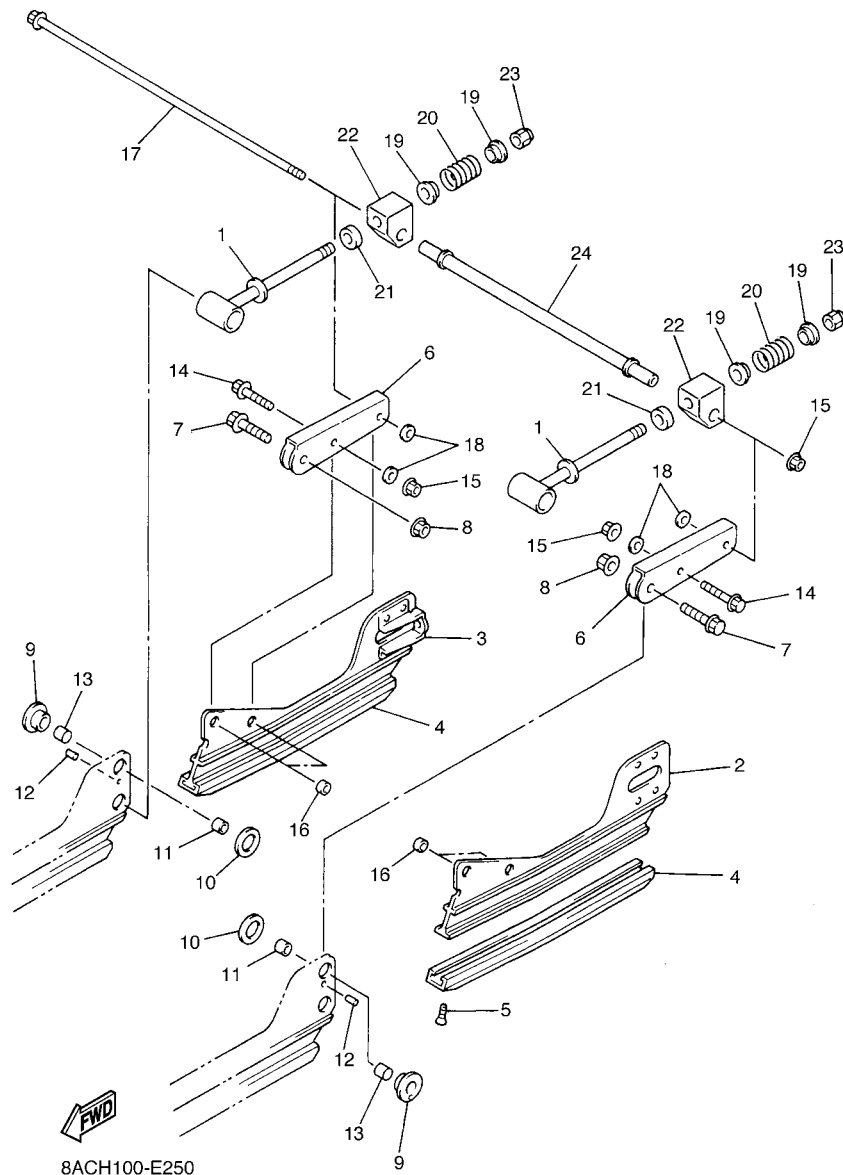


FIG. 24 TRACK SUSPENSION 2

REF. NO.	PART NO.	DESCRIPTION	QTY			REMARKS
82	90384-16251	BUSH, BIMETAL FORMED	4			
83	90202-16231	WASHER, PLATE	2			
84	90202-16232	WASHER, PLATE	2			
85	90201-106F2	WASHER, PLATE	2			
86	97027-10025	BOLT, HEXAGON	2			
87	93700-06004	NIPPLE, GREASE	2			
88	90380-22232	BUSH, SOLID	2			
89	90380-28235	BUSH, SOLID	2			
90	8DF-47367-00	SCREW, REAR PIVOT	2			
91	90201-101U2	WASHER, PLATE	2			
92	95607-10200	NUT, U FLANGE	2			
93	8AC-47349-00	BRACKET, ARM PIVOT	2			
94	83R-47520-10	REAR AXLE COMP.	1			
95	83R-47469-00	COLLAR 1	1			
96	90387-203H0	COLLAR	2			
97	95607-14200	NUT, SELF-LOCKING	1			



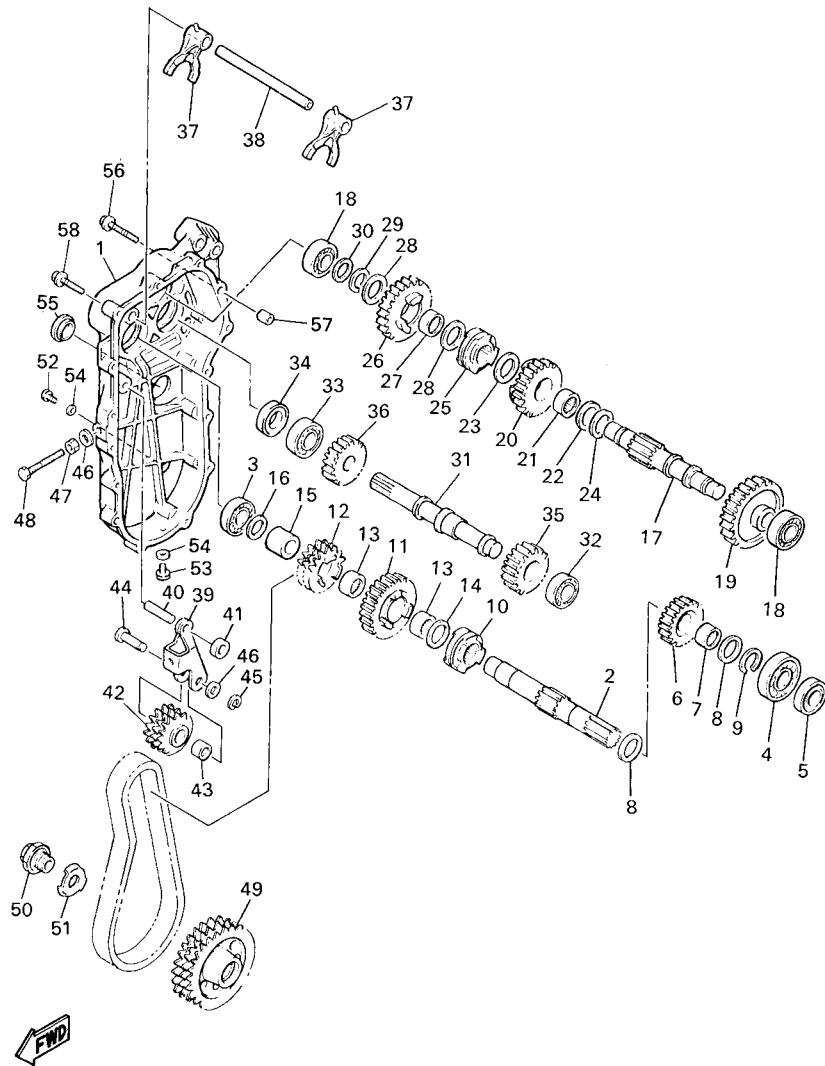
8ACH100-E250

FIG. 25 TRACK SUSPENSION 3

REF. NO.	PART NO.	DESCRIPTION	QTY				REMARKS
1	83R-47337-00	SHAFT, PIVOT	2				
2	8FM-W4741-10	FRAME, SLIDING	1				
3	8FM-W4741-10	FRAME, SLIDING	1				
4	8AC-47424-00	RUNNER, SLIDING 4	2				
5	90151-06010	SCREW, COUNTERSUNK	2				
6	8FM-47333-00	ARM, PIVOT 3	2				
7	95817-10030	BOLT, FLANGE	2				
8	90185-10115	NUT, SELF-LOCKING	2				
9	90387-1815A	COLLAR	2				
10	90202-22238	WASHER, PLATE	2				
11	90387-1014Y	COLLAR	2				
12	91609-30008	PIN, SPRING	2				
13	90380-16109	BUSH, SOLID	2				
14	95817-08035	BOLT, FLANGE	2				
15	95607-08200	NUT, SELF-LOCKING	3				
16	90387-082J1	COLLAR	4				
17	90105-08483	BOLT, FLANGE	1				
18	90201-08649	WASHER, PLATE	4				
19	83R-23768-00	SEAT, SPRING 1	4				
20	90501-407E4	SPRING, COMPRESSION	2				
21	83R-47335-00	SPRING	2				
22	83R-47446-00	HOOK 1	2				
23	95707-12300	NUT, FLANGE	2				
24	8AC-47478-00	COLLAR 2	1				







8AC6100-9270

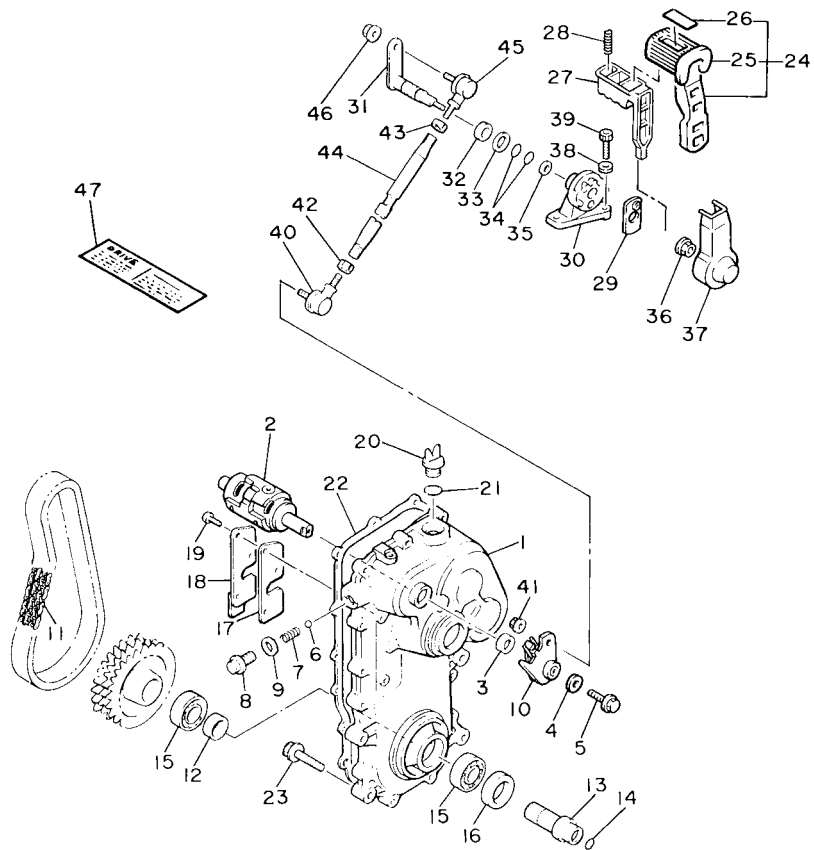
FIG. 27 TRACK DRIVE 2

REF. NO.	PART NO.	DESCRIPTION	QTY				REMARKS
28	90201-20792	WASHER, PLATE	2				
29	99009-20400	CIRCLIP	1				
30	90201-171J5	WASHER, PLAIN	1				
31	83R-17432-01	AXLE, IDLE	1				
32	93306-20321	BEARING	1				
33	93306-20402	BEARING	1				
34	93102-20010	OIL SEAL	1				
35	83R-17243-00	GEAR, REVERSE WHEEL 1 (19T)	1				
36	83R-17153-00	GEAR, REVERSE PINION 2 (20T)	1				
37	83R-18511-00	FORK, SHIFT 1	2				
38	83R-18531-00	BAR, SHIFT FORK GUIDE 1	1				
39	83R-47613-00	HOLDER	1				
40	93612-44229	PIN, DOWEL	1				
41	90387-121E8	COLLAR	1				
42	83R-47612-00	WHEEL	1				
43	93315-21227	BEARING	1				
44	90249-12216	PIN	1				
45	99009-12400	CIRCLIP	1				
46	90210-10004	WASHER, SEAL	1				
47	95307-10700	NUT	1				
48	90101-10357	BOLT	1				
49	83R-47548-00	SPROCKET, CHAIN DRIVEN (22T)	1				
50	90105-27484	BOLT, FLANGE	1				
51	90215-39268	WASHER, LOCK	1				
52	97007-06010	BOLT	1				
53	98907-06008	SCREW, BIND	1				
54	90430-06016	GASKET	2				





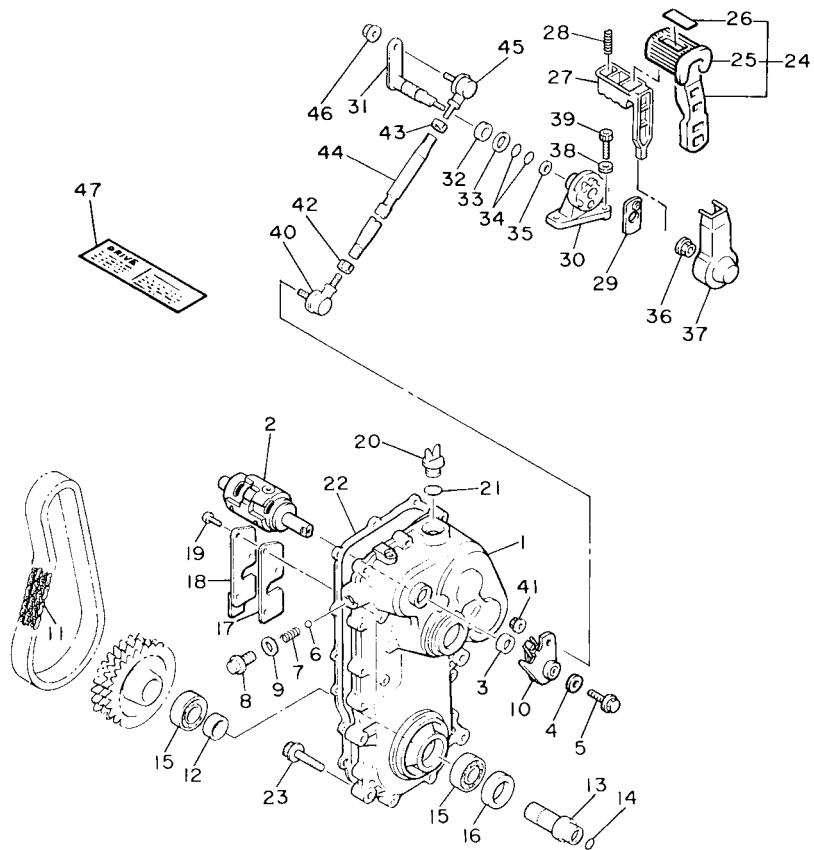
**FIG. 28 TRACK DRIVE 3**



**FWD**  
89N010-2280

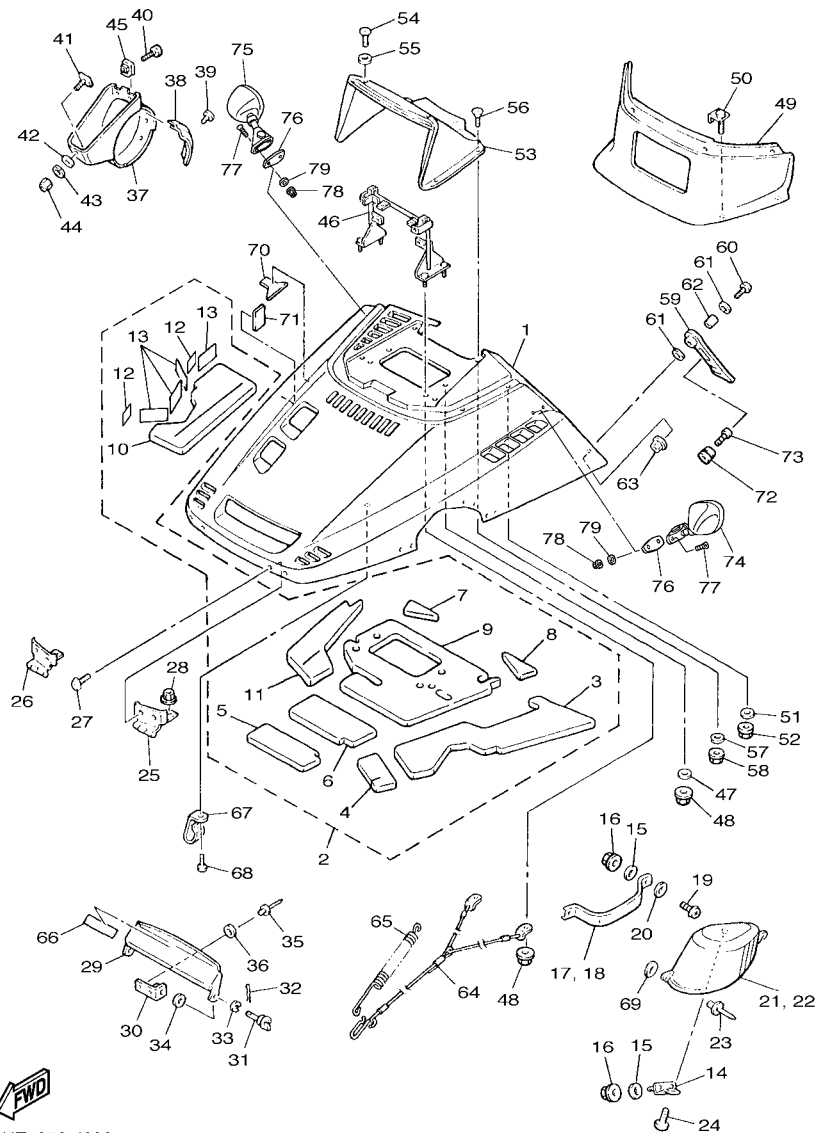
REF. NO.	PART NO.	DESCRIPTION	QTY				REMARKS
1	87R-47541-00	HOUSING, CHAIN	1				
2	89N-18540-00	SHIFT CAM ASSY	1				
3	93102-15212	OIL SEAL	1				
4	90201-06072	WASHER, PLATE	1				
5	90105-06405	BOLT, FLANGE	1				
6	93503-08007	BALL	1				
7	90501-147A6	SPRING, COMPRESSION	1				
8	90105-14367	BOLT, FLANGE	1				
9	90430-14194	GASKET	1				
10	89N-18130-01	SHIFT SHAFT ASSY	1				
11	94880-06070	CHAIN (DID35P-3)	1				
12	90387-405T8	COLLAR	1				
13	83R-47571-00	JOURNAL 1	1				
14	93210-28763	O-RING	1				
15	93306-90802	BEARING	2				
16	93102-46394	OIL SEAL	1				
17	85R-47544-01	GASKET	1				
18	88N-47591-00	PLATE	1				
19	90154-06050	SCREW, BINDING	3				
20	3Y1-15363-10	PLUG, OIL	1				
21	93210-19123	O-RING	1				
22	85R-47592-00	GASKET	1				
23	95827-08040	BOLT, FLANGE	4				
24	83R-18150-00	SHIFT LEVER ASSY	1				
25	52G-18113-00	.COVER, SHIFT PEDAL	1				
26	83R-1815A-00	.LABEL	1				
27	59V-18174-00	KNOB, SHIFT LEVER	1				

FIG. 28 TRACK DRIVE 3



REF. NO.	PART NO.	DESCRIPTION	QTY				REMARKS
28	90501-101A7	SPRING, COMPRESSION	1				
29	59V-18561-00	PLATE, SIDE 1	1				
30	83R-18153-00	GUIDE, SHIFT RETURN SPRING	1				
31	83R-18341-00	SHAFT, RINK	1				
32	90387-145T7	COLLAR	1				
33	90201-144J2	WASHER, PLATE	1				
34	93210-10010	O-RING	2				
35	90201-064J1	WASHER, PLATE	1				
36	95707-06500	NUT, FLANGE	1				
37	59V-18433-00	COVER, SHIFT SPRING	1				
38	92907-06600	WASHER, PLATE	3				
39	91317-06025	BOLT	3				
40	3X3-18157-10	JOINT 2	1				
41	95707-06500	NUT, FLANGE	1				
42	95317-08600	NUT	1				
43	90170-08261	NUT	1				
44	83R-18116-00	JOINT, ROD 1	1				
45	3X3-18156-10	JOINT 1	1				
46	95707-06500	NUT, FLANGE	1				
47	8AT-47578-00	LABEL 1	1				

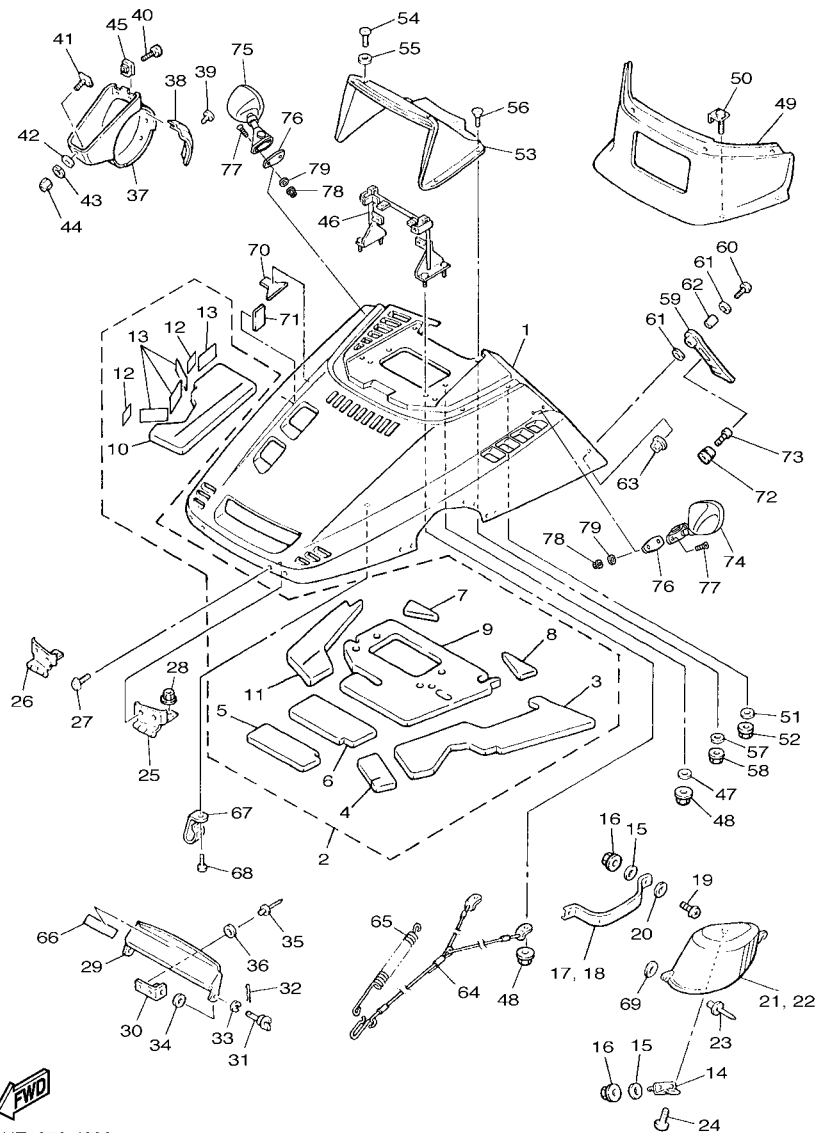
 89N010-2280



8HT1370-J290

FIG. 29 SHROUD

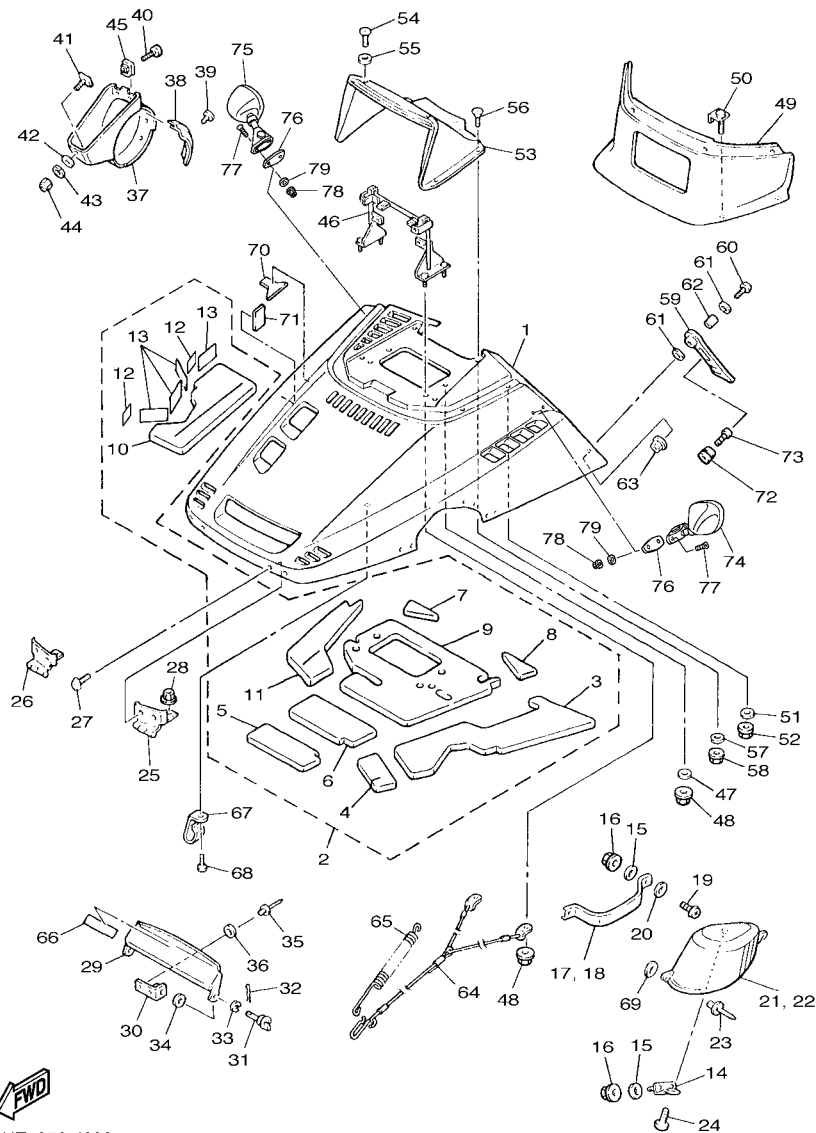
REF. NO.	PART NO.	DESCRIPTION	8HT				REMARKS
1	8HT-77111-00	SHROUD	1				
2	8HT-W7726-00	LINING SET	1				
3	8AT-77261-00	.LINING, SHROUD 1	1				
4	8AT-77262-00	.LINING, SHROUD 2	1				
5	8AT-77263-00	.LINING, SHROUD 3	1				
6	8AT-77264-00	.LINING, SHROUD 4	1				
7	8AT-77265-00	.LINING, SHROUD 5	1				
8	8AT-77266-00	.LINING, SHROUD 6	1				
9	8HT-77267-00	.LINING, SHROUD 7	1				
10	8AT-77268-00	.LINING, SHROUD 8	1				
11	8HT-77269-00	.LINING, SHROUD 9	1				
12	8V0-7717H-01	.TAPE 4	2				
13	82M-7717G-01	.TAPE 3	4				
14	8AT-77125-00	STAY 1	2				
15	92907-06200	WASHER	8				
16	95707-06300	NUT, NYLON	8				
17	8AT-77153-00	PLATE, BACK UP 1	1				
18	8AT-77154-00	PLATE, BACK UP 2	1				
19	98507-06020	SCREW, PAN HEAD	4				
20	92907-06600	WASHER, PLATE	4				
21	8HT-77121-00	HOOD 1	1				
22	8HT-77122-00	HOOD 2	1				
23	90267-48018	RIVET, BLIND (4.8X18.6 BLACK)	4				
24	97707-50016	SCREW, TRUSS HEAD TAPPING	2				
25	83R-77140-00	HINGE ASSY	1				
26	83R-7714A-00	HINGE ASSY 2	1				
27	98904-06016	SCREW, BIND	4				



8HT1370-J290

FIG. 29 SHROUD

REF. NO.	PART NO.	DESCRIPTION	QTY				REMARKS
28	95707-06300	NUT, NYLON	4				
29	83R-77185-00	PLATE 1	1				
30	83R-77125-00	STAY 1	2				
31	90122-05022	BOLT, WING	2				
32	90468-10003	CLIP	2				
33	92907-05100	WASHER, SPRING	2				
34	90202-05088	WASHER, PLATE	2				
35	90267-48079	RIVET, BLIND (4.8X16.1)	4				
36	90201-043H7	WASHER, PLATE	4				
37	83R-77194-00	DUCT	1				
38	83R-77515-00	BUSH, RUBBER 1	1				
39	90269-05039	RIVET	3				
40	98907-06014	SCREW, BIND	2				
41	83R-77186-00	PLATE 2	1				
42	90201-06557	WASHER, PLATE	1				
43	92907-06100	WASHER, SPRING	1				
44	95307-06600	NUT	1				
45	83R-77144-00	NUT	2				
46	83R-77241-00	SRAY,FAIRING	1				
47	90201-06557	WASHER, PLATE	3				
48	95707-06300	NUT, NYLON	4				
49	8AC-77231-60	FAIRING	1				
50	83R-77212-00	BOLT, WIND SHIELD	4				
51	90201-06557	WASHER, PLATE	2				
52	95707-06300	NUT, NYLON	4				
53	87R-77251-01	COVER, HEADLIGHT	1				
54	98907-05012	SCREW, BIND	2				



8HT1370-J290

FIG. 29 SHROUD

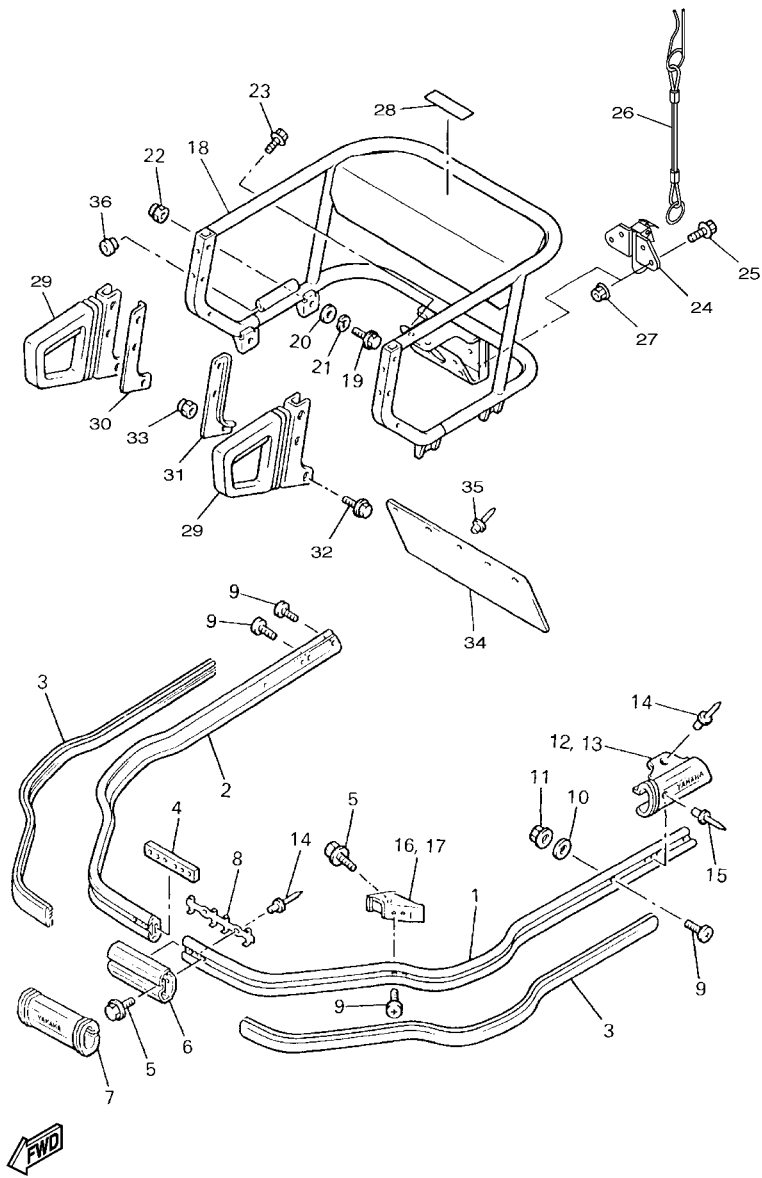
REF. NO.	PART NO.	DESCRIPTION	QTY				REMARKS
55	90201-06042	WASHER, PLATE	2				
56	98707-05016	SCREW, FLAT HEAD	4				
57	90201-05029	WASHER, PLATE	4				
58	95707-05300	NUT, FLANGE	4				
59	8V0-77171-00	BODY, LATCH 1	2				
60	98907-06025	SCREW, BIND	2				
61	90201-06557	WASHER, PLATE	4				
62	90387-06241	COLLAR	2				
63	95707-06500	NUT, FLANGE	2				
64	83R-77118-01	STOPPER, SHROUD	1				
65	838-77159-00	CLAMP, ROD	1				
66	8AC-2815P-S0	LABEL, NOTICE 1	1				
67	90461-08113	CLAMP	3				
68	97707-50014	SCREW, TRUSS HEAD TAPPING	2				
69	90201-043H7	WASHER, PLATE	4				
70	8AT-2199H-00	SHIELD, HEAT	1				
71	8AT-77196-00	DAMPER, SHROUD	1				
72	8M6-77175-00	HOLDER, LATCH	2				
73	98907-06035	SCREW, BIND	2				
74	3HE-26280-00	REAR VIEW MIRROR ASSY (LEFT)	1				WHITE
75	3HE-26290-00	REAR VIEW MIRROR ASSY (RIGHT)	1				WHITE
76	1AE-26298-00	PLATE, MIRROR FITTING 1	2				
77	98707-06020	SCREW, FLAT HEAD	4				
78	95707-06500	NUT, FLANGE	4				
79	90201-06380	WASHER, PLATE	4				







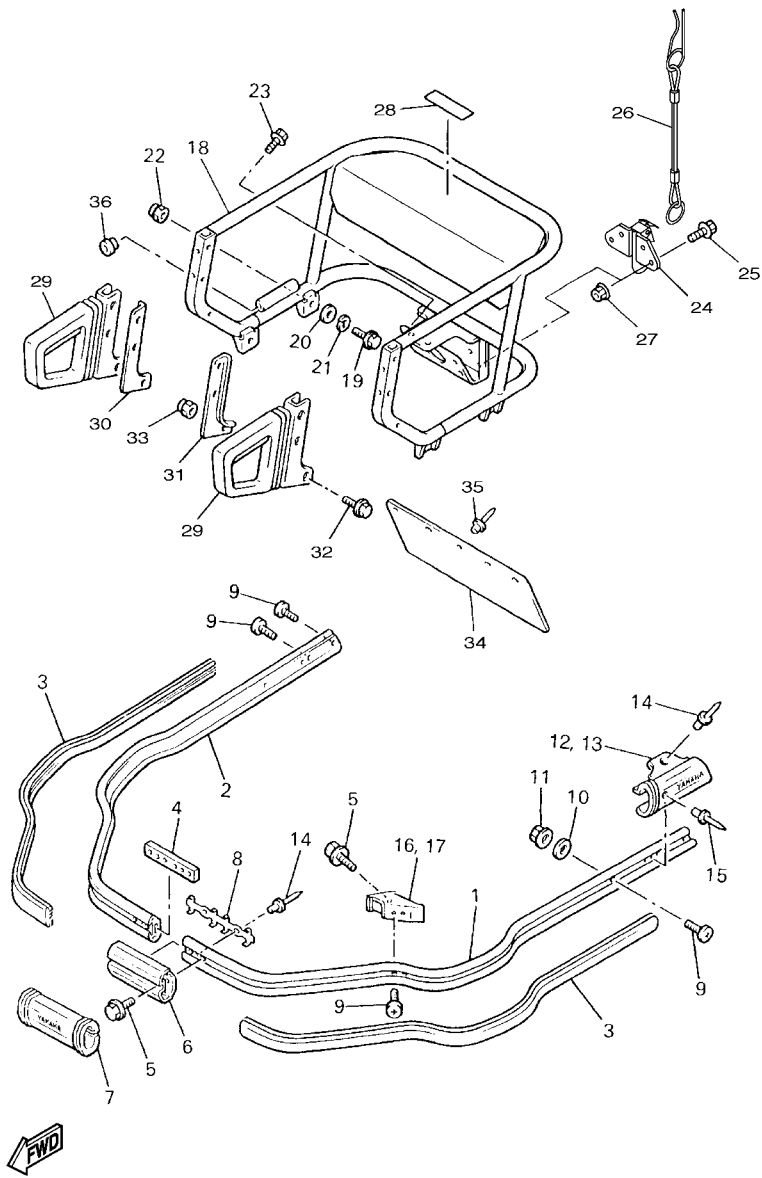




8HT1370-J330

FIG. 33 BUMPER

REF. NO.	PART NO.	DESCRIPTION	8HT			REMARKS
1	8AT-77511-01	BUMPER, FRONT 1	1			
2	8AT-77512-01	BUMPER, FRONT 2	1			
3	8AT-77516-00	BUSH, RUBBER 2	2			
4	8AT-77529-00	SPACER, BUMPER	1			
5	90105-08408	BOLT, FLANGE	8			
6	8AT-77552-00	PROTECTOR 2	1			
7	8AT-77551-01	PROTECTOR 1	1			
8	8AT-77553-00	PROTECTOR 3	1			
9	90149-08230	SCREW	11			
10	92907-08200	WASHER	3			
11	95307-08600	NUT	3			
12	8AT-77521-00	STOPPER, 1	1			
13	8AT-77522-00	STOPPER 2	1			
14	90267-48018	RIVET, BLIND (4.8X18.6 BLACK)	4			
15	90267-48149	RIVET, BLIND (4.8X23.2)	2			
16	8AT-77523-00	END, BUMPER	1			
17	8AT-77524-00	END, BUMPER	1			
18	8AC-77540-10	REAR BUMPER COMP.	1			
19	95827-08014	BOLT, FLANGE	4			
20	92907-08200	WASHER	4			
21	92907-08100	WASHER, SPRING	4			
22	95307-08800	NUT	4			
23	95827-08020	BOLT, FLANGE	10			
24	86D-77591-00	BRACKET, HITCH 1	1			
25	95827-08020	BOLT, FLANGE	4			
26	8U1-77157-00	PIN, HINGE	1			
27	95607-08200	NUT, SELF-LOCKING	4			



8HT1370-J330

FIG. 33 BUMPER

REF. NO.	PART NO.	DESCRIPTION	8HT				REMARKS
28	8FM-24897-11	EMBLEM	1				
29	8X0-77571-00	GRIP, ASSIST 1	2				
30	8X0-77525-00	WASHER 1	1				
31	8X0-77526-00	WASHER 2	1				
32	95807-08040	BOLT, FLANGE	6				
33	90176-08063	NUT, CROWN	6				
34	83R-77595-00	FLAP	1				
35	90267-48086	RIVET, BLIND (4.8X19 BLACK)	5				
36	90480-15268	GROMMET	2				

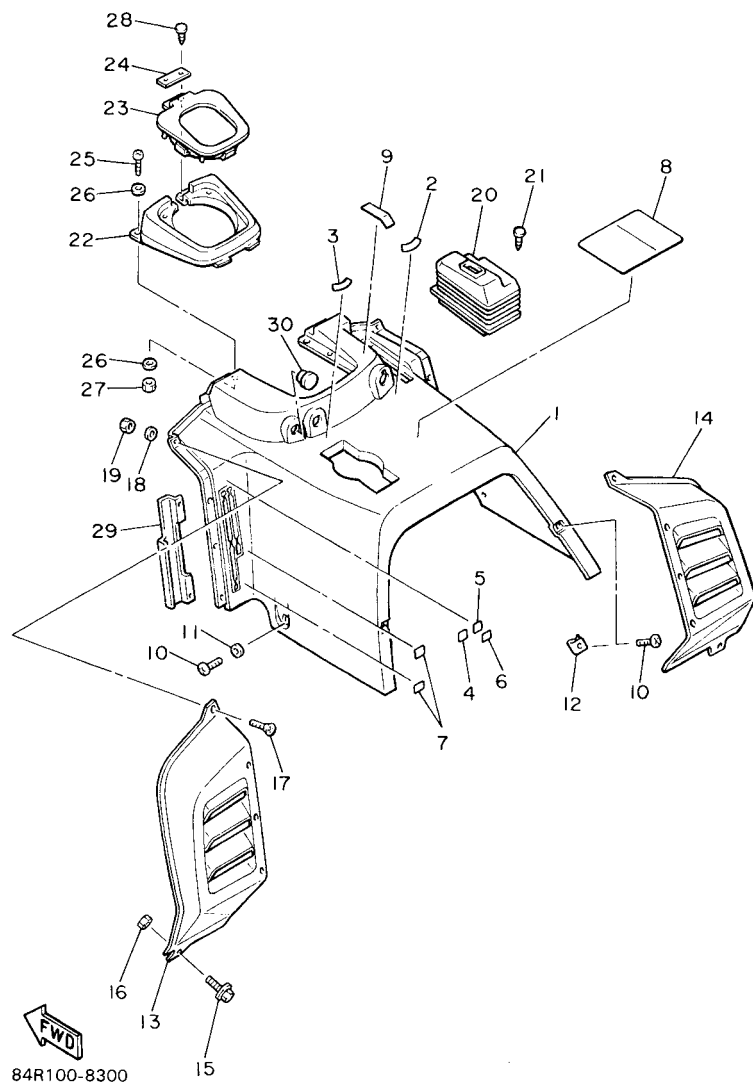


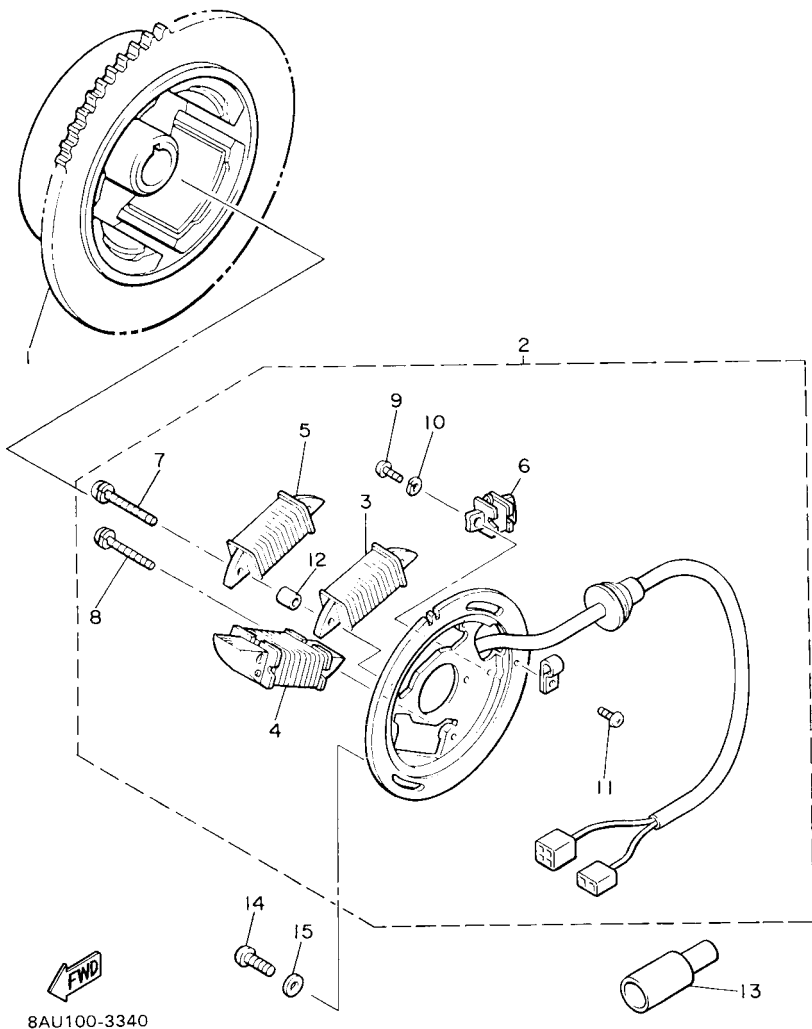
FIG. 34 INSTRUMENT PANEL

REF. NO.	PART NO.	DESCRIPTION	QTY				REMARKS
1	86V-77711-00	PANEL, INSTRUMENT	1				
2	8V0-77741-20	INDICATOR 1	1				
3	8U9-77742-00	INDICATOR 2	1				
4	87A-77743-00	INDICATOR 3	1				
5	87A-77742-00	INDICATOR 2	1				
6	87A-77741-00	INDICATOR 1	1				
7	87A-77745-00	INDICATOR 5	2				
8	8AC-77761-R1	LABEL, WARNING 1	1				
9	83R-77741-00	INDICATOR 1	1				
10	98907-06016	SCREW, BIND	4				
11	90387-060U0	COLLAR	2				
12	83R-77144-00	NUT	2				
13	83R-77131-01	LOUVER 1	1				
14	83R-77132-01	LOUVER 2	1				
15	95807-06016	BOLT, FLANGE	2				
16	95707-06300	NUT, NYLON	2				
17	98707-04016	SCREW, FLAT HEAD	7				
18	90201-047A2	WASHER, PLATE	5				
19	95707-04300	NUT, FLANGE	5				
20	83R-77731-00	SHIELD 1	1				
21	90269-05055	RIVET	4				
22	83R-77712-00	PANEL, INSTRUMENT	1				
23	83R-77740-00	GROMMET, INSTRUMENT PANEL	1				
24	83R-77728-00	WASHER	1				
25	98907-05016	SCREW, BIND	2				
26	90201-054K4	WASHER, PLATE	4				
27	95707-05300	NUT, FLANGE	2				



FIG. 35 GENERATOR

REF. NO.	PART NO.	DESCRIPTION	QTY				REMARKS
1	8AT-85550-01	ROTOR ASSY	1				
2	8AT-85560-00	BASE ASSY	1				
3	81L-85520-M0	.COIL, CHARGE	1				
4	81L-81313-M0	.COIL, LIGHTING 1	1				
5	81L-81314-M0	.COIL, LIGHTING 2	1				
6	8R4-85580-M0	.COIL, PULSER	1				
7	90159-05130	.SCREW, WITH WASHER	2				
8	90159-05129	.SCREW, WITH WASHER	2				
9	98502-04012	.SCREW, PAN HEAD	2				
10	92902-04100	.WASHER, SPRING	3				
11	98502-04008	.SCREW, PAN HEAD	1				
12	90387-06299	.COLLAR	2				
13	8Y0-82599-00	COVER, CONNECTER	1				
14	98907-06016	SCREW, BIND	2				
15	90201-06043	WASHER, PLATE	2				





8AC6100-9360

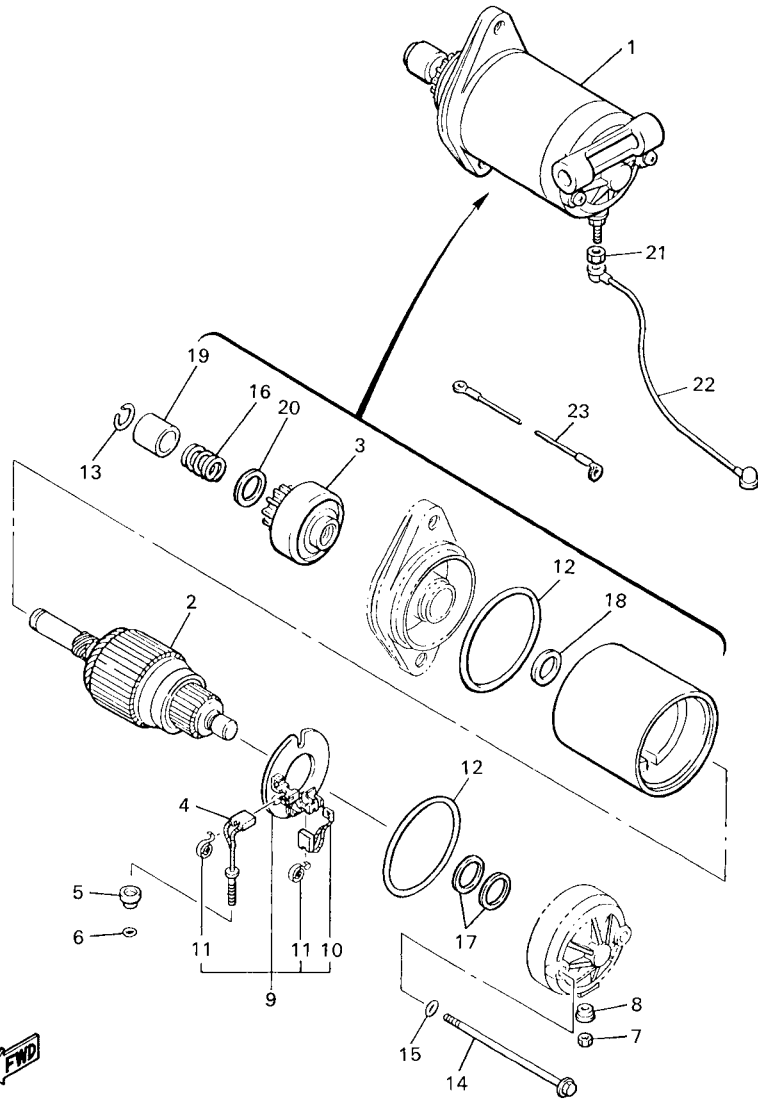
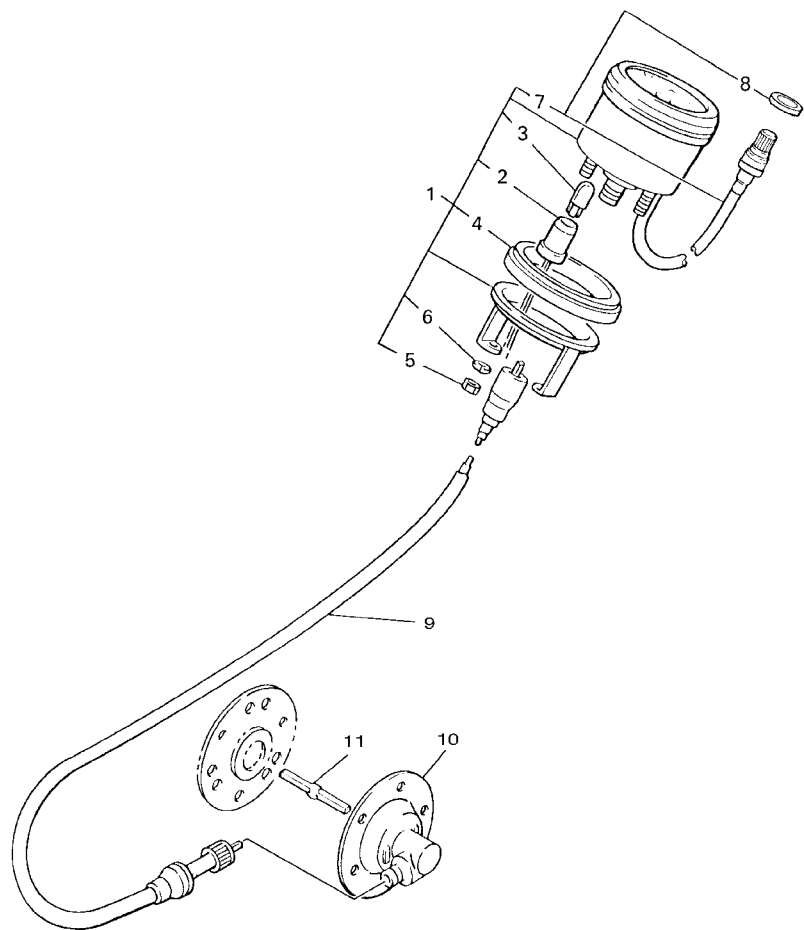


FIG. 36 STARTING MOTOR

REF. NO.	PART NO.	DESCRIPTION	QTY				REMARKS
1	8BB-81800-01	STARTING MOTOR ASSY	1				
2	8Y3-81850-50	.ARMATURE ASSY	1				
3	84N-81832-51	.CLUTCH, OVER RUN	1				
4	73A-81811-00	.BRUSH 1	1				
5	73A-81829-50	.GROMMET	1				
6	73A-81847-00	.O-RING	1				
7	4H7-81872-00	.NUT, SPECIAL	1				
8	73A-81829-00	.GROMMET	1				
9	8L6-81840-50	.BRUSH HOLDER ASSY	1				
10	84N-81812-00	..BRUSH 2	1				
11	8L6-81813-50	..SPRING, BRUSH	2				
12	4H7-81844-50	.O-RING	2				
13	8L6-81834-50	.RING	1				
14	84N-81826-00	.BOLT	2				
15	8L6-81847-50	.O-RING	2				
16	8BB-81836-00	.SPRING, LEVER	1				
17	4H7-81843-50	.WASHER 1	2				
18	8L6-81835-50	.WASHER 2	1				
19	8L6-81833-50	.RING, STOP	1				
20	8BB-8185A-00	.WASHER, PLATE	1				
21	95307-06600	NUT	1				
22	83R-82117-01	WIRE, LEAD	1				
23	88N-82116-00	WIRE, MINUS LEAD	1				

FIG. 37 METER



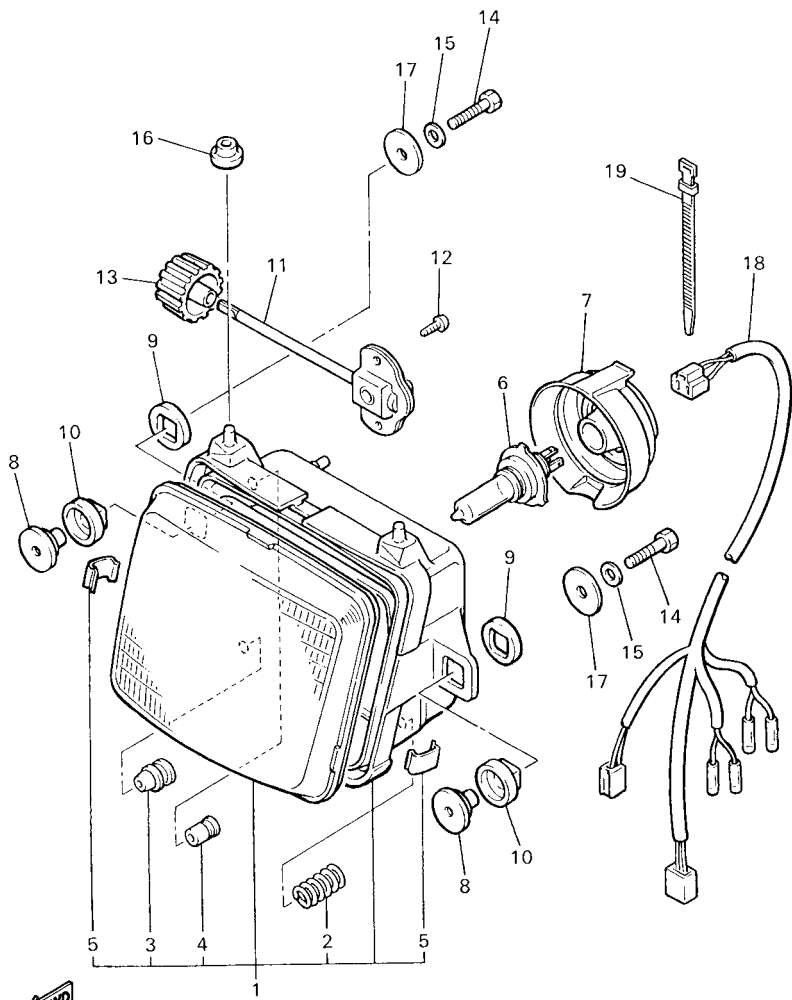
8HT1370-J371

REF. NO.	PART NO.	DESCRIPTION	8HT				REMARKS
1	86V-83510-20	SPEEDOMETER ASSY (KM/H)	1				
2	8V7-83536-40	.SOCKET, METER	1				
3	4R0-83517-00	.BULB (12V-3.4W T10)	1				
4	8G6-83523-00	.DAMPER	1				
5	95302-05600	.NUT	2				
6	92902-05100	.WASHER, SPRING	2				
7	8K1-83603-01	.TRIP METER CABLE ASSY	1				
8	8K1-8366W-00	..NUT	1				
9	8H4-83560-00	METER CABLE ASSY	1				
10	83R-47700-00	METER GEAR HOUSING COMP.	1				
11	8K4-47715-00	JOINT	1				



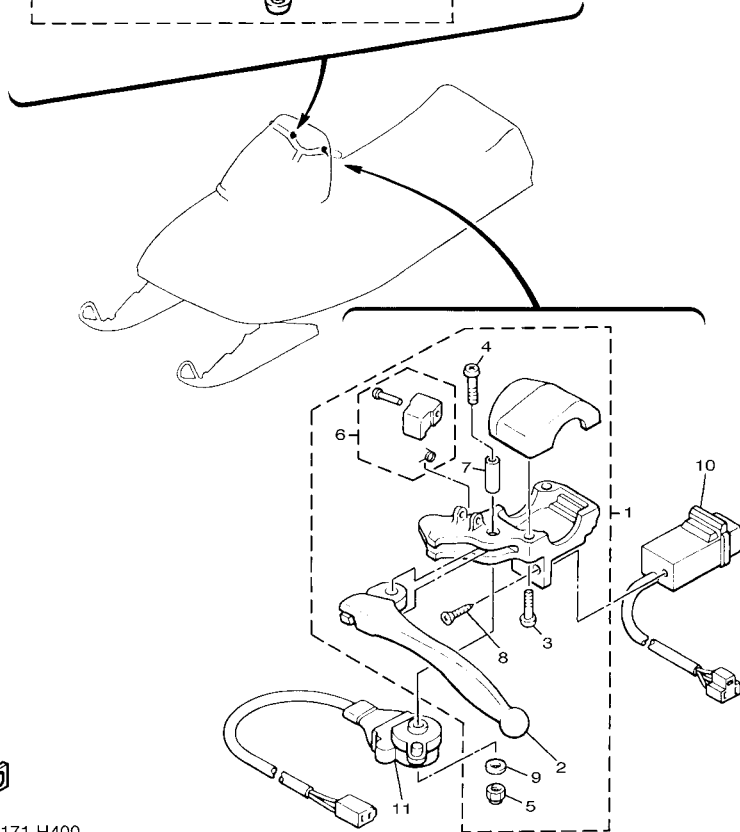
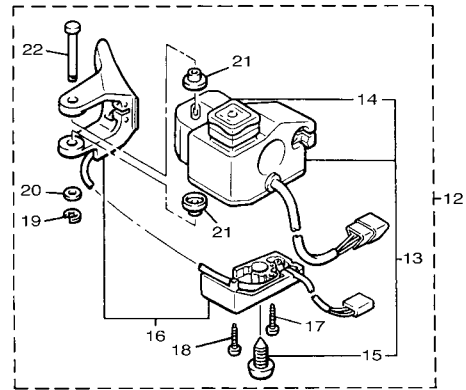
FIG. 38 HEADLIGHT

REF. NO.	PART NO.	DESCRIPTION	QTY		REMARKS
1	83R-8430A-G0	HEAD LIGHT UNIT ASSY	1		
2	51L-84332-00	.SPRING, SCREW	1		
3	51L-8431U-00	.HOLDER	1		
4	51L-84334-00	.NUT, ADJUSTING	2		
5	36Y-84324-00	.SPRING, REFLECTOR	3		
6	2F9-84314-00	BULB (12V-60/55W)	1		(H4)HALOGEN
7	36Y-84397-00	COVER, SOCKET	1		
8	498-84145-60	COLLAR, BODY FITTING	2		
9	498-84164-60	DAMPER	2		
10	498-84163-60	DAMPER	2		
11	83R-8430M-00	GEAR UNIT ASSY	1		
12	97707-40616	SCREW, TAPPING	2		
13	26H-8432M-00	KNOB ASSY	1		
14	97007-08040	BOLT	2		
15	92907-08600	WASHER, PLATE	2		
16	36Y-84354-00	GROMMET	2		
17	90201-08766	WASHER, PLATE	2		
18	8AT-84359-00	CORD, HEADLIGHT	1		
19	437-83936-01	BAND, SWITCH CORD	1		



8AC4100-7380

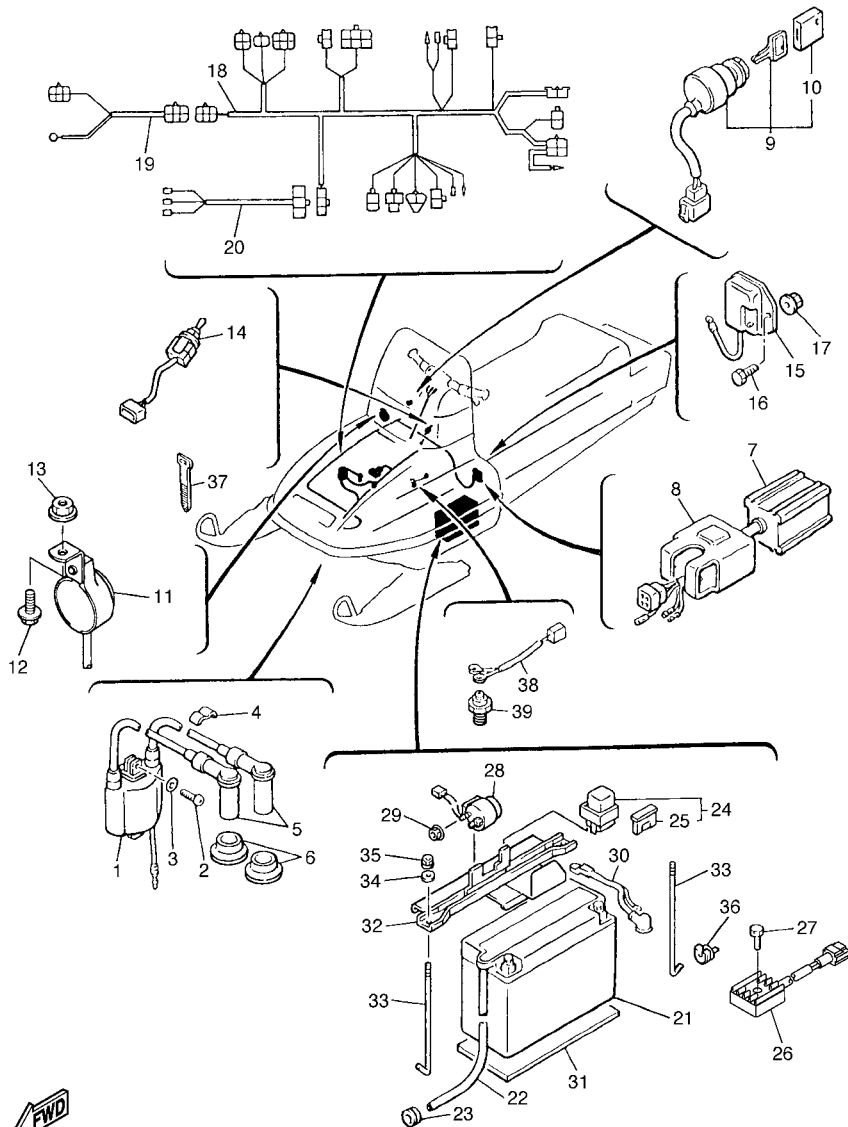




8ACN171-H400

FIG. 40 HANDLE SWITCH & LEVER

REF. NO.	PART NO.	DESCRIPTION	QTY				REMARKS
1	88R-W8291-00	LEVER HOLDER ASSY (LEFT)	1				
2	8H8-83912-00	.LEVER 1	1				
3	90157-05027	.SCREW, PAN HEAD	2				
4	8R4-82113-00	.SCREW	1				
5	95702-05300	.NUT, NYLON	1				
6	8K4-W8393-00	.LEVER LOCK ASSY	1				
7	802-83913-00	.COLLAR, LEVER 1	1				
8	8R4-8252V-00	.SCREW, SPECIAL	1				
9	92902-05200	.WASHER	1				
10	8K4-83950-01	BEAM SWITCH ASSY	1				
11	88R-82530-00	STOP SWITCH ASSY	1				
12	8AU-82720-02	LEVER HOLDER ASSY (RIGHT)	1				
13	8AU-83963-00	.SWITCH, HANDLE 3 (RIGHT)	1				
14	8AU-82575-09	..ENGINE STOP SWITCH ASSY	1				WIRE/L=240MM
15	8R6-83928-00	..SCREW	1				
16	8AU-82970-02	.THUMB WARMER ASSY	1				
17	97706-30620	.SCREW, TAPPING	1				
18	97706-30630	.SCREW, TAPPING	1				
19	99001-04600	.CIRCLIP	1				
20	85G-83663-00	.WASHER, SPECIAL	1				
21	85G-83956-00	.CAP 1	2				
22	88T-8399F-00	.SHAFT	1				



8ACF100-D410

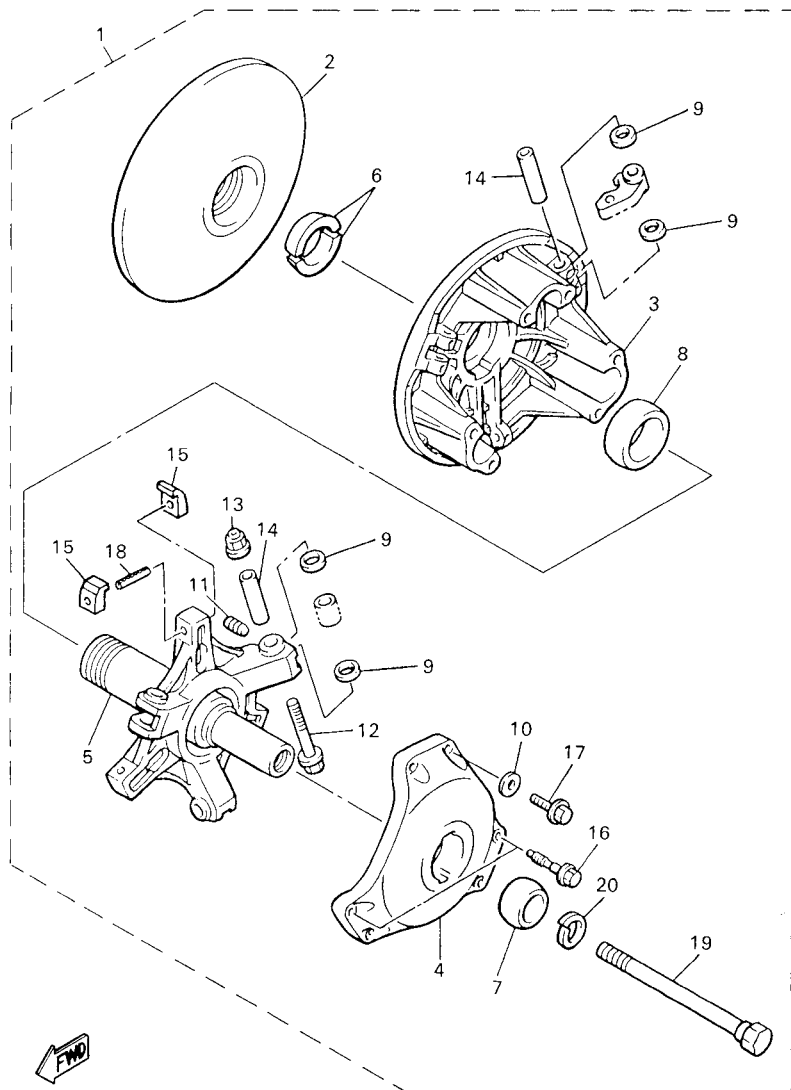
FIG. 41 ELECTRICAL 1

REF. NO.	PART NO.	DESCRIPTION	QTY			REMARKS
1	88T-82310-01	IGNITION COIL ASSY	1			
2	97880-06020	SCREW, PAN HEAD	2			
3	92990-06600	WASHER, PLATE	2			
4	861-82361-00	CLAMP, CORD	1			
5	8K1-82370-20	PLUG CAP ASSY (WITH RESISTOR)	2			
6	8G5-82372-00	SEAL, PLUG CAP	2			
7	8AU-85540-00	C.D.I. UNIT ASSY	1			
8	2A7-85546-00	BAND	1			
9	8K1-82510-20	MAIN SWITCH ASSY	1			
10	526-82579-00	.CAP, KEY	2			
11	87L-83383-01	BUZZER	1			
12	95827-06016	BOLT, FLANGE	1			
13	95607-06200	NUT, SELF U-FLANGE	1			
14	8BE-82917-00	SWITCH	1			
15	82M-81910-A0	VOLTAGE REGULATOR ASSY	1			
16	97007-06014	BOLT	1			
17	95707-06300	NUT, NYLON	1			
18	8AC-82590-10	WIRE HARNESS ASSY	1			
19	8AC-82509-00	WIRE, SUB LEAD	1			
20	8AC-84717-01	CORD, TAILLIGHT	1			
21	5E3-82110-81	BATTERY ASSY (YUASA YB16AL-A2)	1			
22	8AC-8235W-00	PIPE	1			
23	90480-12314	GROMMET	1			
24	8BE-82150-00	FUSE HOLDER ASSY	1			
25	42X-82151-00	.FUSE (10A-BL)	2			
26	8AC-81970-00	RECTIFIER ASSY	1			
27	95807-06020	BOLT, FLANGE	1			





FIG. 43 ALTERNATE REBUILD KIT (~8HT-001712)

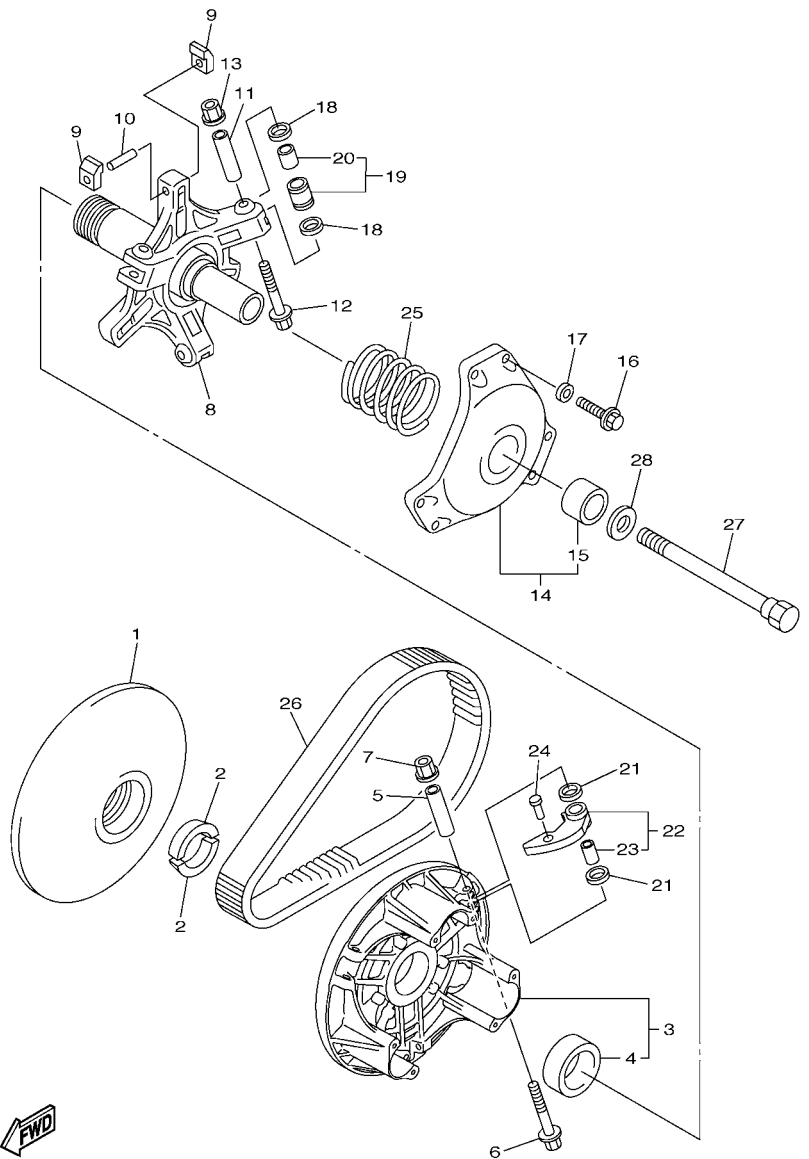


8AC8100-1440

REF. NO.	PART NO.	DESCRIPTION	8HT				REMARKS
1	8AC-17601-09	CLUTCH REPAIR KIT	1				AP
2	88R-17611-02	.SHEAVE, PRIMARY FIXED	1				
3	89F-17621-00	.SHEAVE, PRIMARY SLIDING	1				
4	88R-17631-01	.CAP	1				
5	8BW-17640-11	.SPIDER COMPLETE	1				
6	8V0-17639-00	.STOPPER	2				
7	90389-28032	.BUSH	1				
8	90389-41031	.BUSH	1				
9	90202-08204	.WASHER, PLATE	12				
10	92907-06600	.WASHER, PLATE	4				
11	90113-05053	.BOLT, SET	6				
12	90105-05644	.BOLT, FLANGE	3				
13	95607-05200	.NUT, U FLANGE	3				
14	90387-0501R	.COLLAR	6				
15	8BW-17653-00	.SLIDER	6				
16	90109-066F4	.BOLT	2				
17	97017-06030	.BOLT	4				
18	91609-50032	.PIN, SPRING	3				
19	8V0-17647-00	.BOLT (L=156.5MM)	1				
20	92907-16100	.WASHER	1				







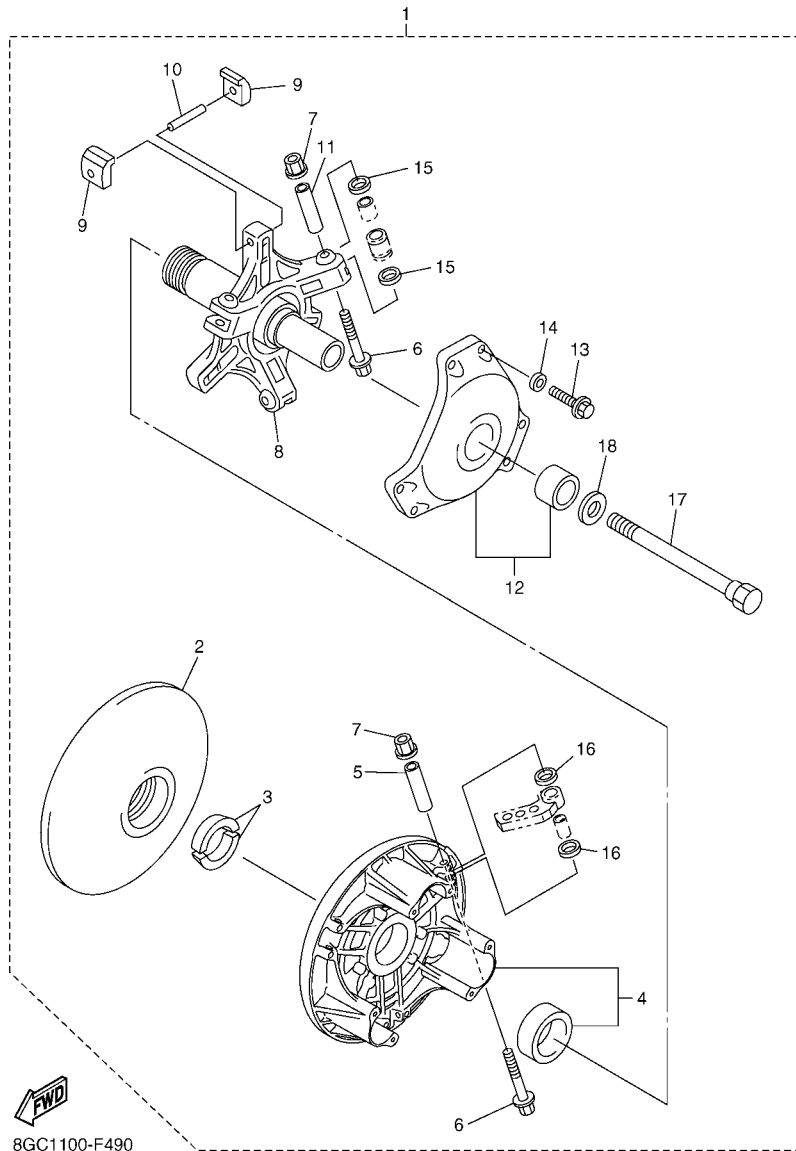
8ACT100-K110

FIG. 45 PRIMARY SHEAVE (8HT-001713~)

REF. NO.	PART NO.	DESCRIPTION	8HTT				REMARKS
1	8FA-17611-01	SHEAVE, PRIMARY FIXED	1				
2	8V0-17639-00	STOPPER	2				
3	8BV-17620-03	PRIMARY SLIDING SHEAVE COMP.	1				
4	90384-41242	.BUSH, BIMETAL FORMED	1				
5	90387-0514T	COLLAR	3				
6	90105-05644	BOLT, FLANGE	3				
7	95602-05200	NUT, SELF-LOCKING	3				
8	8ES-17640-01	SPIDER COMPLETE	1				TO 8HT-003382 FROM 8HT-003383
9	8ES-17640-02	SPIDER COMPLETE	1				
9	8BW-17653-00	SLIDER	6				
10	91609-50032	PIN, SPRING	3				
11	90387-0514U	COLLAR	3				
12	90105-05644	BOLT, FLANGE	3				
13	95602-05200	NUT, SELF-LOCKING	3				
14	8BV-17630-11	PRIMARY SHEAVE CAP COMP.	1				
15	90380-28237	.BUSH, SOLID	1				
16	97017-06030	BOLT	6				
17	92907-06600	WASHER, PLATE	6				
18	90202-09227	WASHER, PLATE	6				
19	8FG-17624-00	ROLLER, COMP	3				
20	90386-09001	.BUSH	1				
21	90202-08204	WASHER, PLATE	6				
22	8AT-17605-10	WEIGHT COMP	3				
23	90386-08002	.BUSH	1				
24	90261-06033	RIVET, COUNTERSUNK (ST17.2MM)	3				STD
	90261-06015	RIVET, COUNTERSUNK (ST10.3MM)	3				AP
	90261-06019	RIVET, COUNTERSUNK (ST13.3MM)	3				AP
25	90501-556G6	SPRING, COMPRESSION	1				STD (BLUE)



FIG. 46 ALTERNATE REBUILD KIT (8HT-001713--)



REF. NO.	PART NO.	DESCRIPTION	8HT				REMARKS
1	8GJ-W176G-01	CLUTCH REPAIR KIT	1				AP TO 8HT-003382 AP FROM 8HT-003383
	8GJ-W176G-02	CLUTCH REPAIR KIT	1				
2	8FA-17611-01	.SHEAVE, PRIMARY FIXED	1				
3	8V0-17639-00	.STOPPER	2				
4	8BV-17620-03	.PRIMARY SLIDING SHEAVE COMP.	1				
5	90387-0514T	.COLLAR	3				
6	90105-05644	.BOLT, FLANGE	6				
7	95607-05200	.NUT, U FLANGE	6				
8	8ES-17640-01	.SPIDER COMPLETE	1				AP TO 8HT-003382 AP FROM 8HT-003383
	8ES-17640-02	.SPIDER COMPLETE	1				
9	8BW-17653-00	.SLIDER	6				
10	91609-50032	.PIN, SPRING	3				
11	90387-0514U	.COLLAR	3				
12	8BV-17630-11	.PRIMARY SHEAVE CAP COMP.	1				
13	97017-06030	.BOLT	6				
14	92907-06600	.WASHER, PLATE	6				
15	90202-09227	.WASHER, PLATE	6				
16	90202-08204	.WASHER, PLATE	6				
17	8V0-17647-00	.BOLT (L=156.5MM)	1				
18	92907-16100	.WASHER	1				



NUMERICAL INDEX

PART NO.	REF. NO.	PART NO.	REF. NO.	PART NO.	REF. NO.	PART NO.	REF. NO.	PART NO.	REF. NO.	PART NO.	REF. NO.
88R-00000-51	44 - 1	866-13175-00	5 - 4	8H8-14441-00	6 - 19	88R-17624-01	44 - 4	89X-21917-00	15 - 28	87S-23845-01	17 - 25
8R6-11111-00	1 - 1	821-13176-00	5 - 3	83R-14453-00	6 - 15	88R-17631-01	11 - 15	8AC-21933-00	15 - 63	87S-23847-01	17 - 21
J38-11116-00	9 - 7	8K2-13178-00	2 - 22	83R-14465-00	6 - 20		43 - 4	81E-21945-00	15 - 2		17 - 26
83R-11161-00	1 - 3	8H8-13179-00	5 - 14	8H8-14466-00	6 - 21	8V0-17639-00	11 - 2	8AT-2194Y-00	15 - 26	82M-23851-00	16 - 32
83R-11162-00	1 - 10	821-13188-00	5 - 5	8H8-14477-00	6 - 22		43 - 6	83R-21955-00	15 - 4	8AT-23852-00	16 - 33
83R-11181-00	1 - 4	8G8-13342-00	5 - 16	8K4-14610-00	8 - 1	8BW-17640-11	11 - 8	8AT-2195Y-00	15 - 27	8V0-23858-00	19 - 29
83R-11311-00	1 - 9	8G8-13410-00	14 - 7	82M-14613-01	8 - 2		43 - 5	8AC-21965-00	15 - 10	84M-23868-00	17 - 6
89N-11351-00	1 - 12	353-13552-01	4 - 6	83R-14710-04	8 - 5	87X-17641-00	11 - 29	8AT-2196T-00	15 - 56	83R-23870-00	18 - 1
8AT-11400-01	2 - 6	8G8-13555-01	6 - 11	83R-14728-01	8 - 6	8V0-17647-00	11 - 30	83R-21986-00	15 - 7	84M-23872-00	17 - 7
83R-11412-01	2 - 7	8Y7-13556-01	6 - 6	83R-14941-4E	7 - 11		43 - 19	83R-21987-00	15 - 8	8AT-23883-00	18 - 2
8H8-11422-01	2 - 8	83R-13565-00	6 - 7	1UF-14952-00	7 - 22	8BW-17653-00	11 - 9	83R-2198F-00	15 - 5	8AT-23884-00	18 - 3
8H8-11432-01	2 - 9	8AT-13610-00	6 - 1	8H8-15100-02	9 - 1		43 - 15	8M6-2198F-00	15 - 23	8AC-23894-01	17 - 9
8AT-11442-00	2 - 10	8AT-13613-00	6 - 2	3Y1-15363-10	28 - 20	88R-17660-03	12 - 1	8AC-2198G-00	15 - 59	83R-24111-00	19 - 1
8H8-11515-00	2 - 14	8H8-13616-00	6 - 3	8AT-15416-00	5 - 1	8AT-17670-01	12 - 2	8M6-21998-00	15 - 24	8AC-2414B-01	30 - 3
8R6-11601-00	2 - 2	84R-14101-02	7 - 1	8K4-15426-00	5 - 10	88N-17680-02	12 - 11	8AT-2199G-01	15 - 48	83R-2419A-00	34 - 29
8R6-11601-10	2 - 2	22F-14117-00	7 - 21	8H8-15710-00	10 - 1	83R-17682-00	27 - 12	8AT-2199H-00	29 - 70	84M-24327-00	6 - 40
8R6-11601-20	2 - 2	8V0-14118-00	7 - 17	8H8-15711-00	10 - 2	8AT-17684-01	12 - 9	8AT-22401-00	16 - 19		14 - 14
8R6-11631-00-95	2 - 1	127-14124-20	7 - 26	8F3-15713-01	10 - 5	8X6-17688-00	12 - 3	89L-22493-00	16 - 22	81E-24328-00	19 - 28
8H8-11633-00	2 - 3	89A-14125-00	7 - 18	8F3-15714-01	10 - 3	52G-18113-00	28 - 25	4XV-2341B-00	31 - 7	83R-24335-00	19 - 13
8R6-11635-00	2 - 1	8M6-14126-00	7 - 4	8F3-15715-00	10 - 6	83R-18116-00	28 - 44	8AC-23711-00	16 - 1	813-24336-00	19 - 17
8R6-11636-00	2 - 1	2J2-14133-00	7 - 19	8G5-15716-00	10 - 15	89N-18130-01	28 - 10	8DM-23712-00	16 - 2	801-24376-00	14 - 6
8R6-11651-00	2 - 12	82A-14134-00	7 - 2	8F3-15716-03	10 - 9	83R-18150-00	28 - 24	8EN-23731-01	16 - 4	82M-24376-00	19 - 19
8A7-11685-00	2 - 23	127-14135-00	7 - 14	8H8-15723-01	10 - 18	83R-18153-00	28 - 30	88T-23743-00	16 - 12	878-24379-00	19 - 31
8H8-12611-01	3 - 14	193-14142-90	7 - 16	8F3-15734-00	10 - 8	3X3-18156-10	28 - 45	8EK-23751-00	16 - 5	8AT-24410-00	6 - 29
8H8-12612-00	3 - 21	3G2-1414E-56	7 - 12	8G5-15739-00	10 - 12	3X3-18157-10	28 - 40	8AC-23754-00	16 - 3	89A-24529-00	7 - 28
8L0-12616-00	3 - 34	193-1414F-00	7 - 16	8F3-15739-01	10 - 7	83R-1815A-00	28 - 26	8AC-23765-00	16 - 11	8H5-24560-00	19 - 15
8H8-12618-01	3 - 22	802-14161-00	7 - 27	8F3-15741-01	10 - 4	59V-18174-00	28 - 27	83R-23768-00	25 - 19	8W6-24611-00	19 - 2
8H8-12619-01	3 - 16	8A7-14169-00	7 - 24	8F3-15751-00	10 - 13	83R-18341-00	28 - 31	8AC-2376A-00	16 - 18	813-24613-01	19 - 3
88F-12621-02	3 - 1	8G8-14171-00	7 - 15	8F3-15755-00	10 - 14	59V-18433-00	28 - 37	84M-2376E-00	16 - 51	83M-24628-00	19 - 8
8AC-1262A-R1	3 - 40	8U9-14174-00	7 - 13	83R-17121-00	27 - 6	83R-18511-00	27 - 37	8AT-2376J-00	16 - 29	8F7-24641-00	19 - 4
8Y0-12637-02	3 - 35	8AT-1417E-00	32 - 5	8AT-17131-00	27 - 11	83R-18531-00	27 - 38	8L0-2376R-00	16 - 30	8AC-2470F-20	20 - 2
8H8-12651-02	3 - 23	8M6-14185-00	7 - 10	8AT-17141-00	27 - 19	89N-18540-00	28 - 2	82M-23777-00	16 - 20	85R-2471A-00	15 - 54
8H8-12652-00	3 - 33	68V-14186-00	7 - 9	83R-17143-00	27 - 26	59V-18561-00	28 - 29	83R-23779-00	16 - 25	83R-24729-00	20 - 3
8H8-12658-00	3 - 25	83R-14190-15	7 - 8	83R-17151-00	27 - 20	8H8-21411-01	13 - 1	84M-2377E-00	16 - 52	8AC-24730-20	20 - 1
8Y0-12658-00	3 - 3	214-14195-00	7 - 7	83R-17153-00	27 - 36	8AT-21417-00	13 - 15	8L0-23788-00	16 - 23	8AT-24778-00	20 - 5
8H8-12659-00	3 - 26	286-14198-00	7 - 6	83R-17243-00	27 - 35	8H8-21418-01	13 - 16	8AU-23811-10	17 - 1	8AC-24790-20	20 - 7
8H8-12669-00	3 - 27	620-14211-00	7 - 3	85R-17421-00	27 - 2	83R-21419-00	13 - 2	8F3-23812-00	17 - 8	8FM-24897-11	33 - 28
8V8-12678-00	3 - 28	80L-14227-00	7 - 25	83R-17431-00	27 - 17	8H8-21427-00	13 - 17	8AT-23813-01	17 - 2	87R-25721-00	21 - 10
8AT-12679-00	3 - 30	3G2-14231-27	7 - 12	83R-17432-01	27 - 31	8H8-21429-01	13 - 3	8G5-23814-00	17 - 3	87R-25722-00	21 - 13
8Y0-12679-00	3 - 2	3G2-14231-28	7 - 12	83R-17492-10	27 - 10	8V9-21485-00	13 - 5	8K1-23814-00	17 - 4	87R-25726-01	21 - 4
8Y0-12687-02	3 - 36	3G2-14231-77	7 - 12		27 - 25	8N7-21486-00	13 - 4	8W9-23815-00	17 - 12	87R-25730-01	21 - 2
8AT-13101-00	4 - 1	3G2-14231-78	7 - 12	8AC-17601-09	43 - 1	8V9-21486-00	13 - 6	8W9-23817-00	17 - 13	86M-25733-00	21 - 14
8Y0-13116-01	4 - 17	3G2-14231-79	7 - 12	8AT-17605-00	11 - 25	83M-21488-00	24 - 13	8AT-23818-00	15 - 20	86M-25738-00	21 - 3
8K4-13119-00	5 - 18	8M6-14261-00	7 - 5	88R-17611-02	11 - 1	8AT-21747-00	14 - 23	8AT-23821-00	17 - 19	87R-25743-00	21 - 12
137-13137-00	4 - 11	89A-14265-00	7 - 20		43 - 2	83R-21751-00	14 - 1	8L0-2382E-01	16 - 40	86M-25744-00	21 - 16
137-13138-01	4 - 10	8X0-14358-00	7 - 23	89F-17621-00	11 - 3	863-21771-00	14 - 4	8L0-2382F-00	16 - 41	86M-25771-00	21 - 7
8A5-13146-01	4 - 19	83R-14425-00	6 - 28		43 - 3	8AC-21910-30	15 - 1	8AT-23831-00	17 - 24	86M-25772-00	21 - 8
137-13148-00	5 - 7	8H8-14431-00	6 - 18	88R-17624-01	11 - 21	8AC-21912-00	15 - 6	86X-23841-00	17 - 20	86M-25773-00	21 - 6

NUMERICAL INDEX

PART NO.	REF. NO.	PART NO.	REF. NO.	PART NO.	REF. NO.	PART NO.	REF. NO.	PART NO.	REF. NO.	PART NO.	REF. NO.
89J-25811-00	21 - 18	8AC-47421-00	24 - 3	8AT-77125-00	29 - 14	8AT-77512-01	33 - 2	4H7-81843-50	36 - 17	85G-83663-00	40 - 20
86M-25818-00	21 - 9	8ED-47422-00	24 - 5	83R-77131-01	34 - 13	83R-77515-00	29 - 38	4H7-81844-50	36 - 12	8H8-83912-00	40 - 2
86M-25826-00	21 - 11	8AC-47424-00	25 - 4	83R-77132-01	34 - 14	8AT-77516-00	33 - 3	73A-81847-00	36 - 6	802-83913-00	40 - 7
86M-25827-00	21 - 5	83R-47446-00	25 - 22	83R-77140-00	29 - 25	8AT-77521-00	33 - 12	8L6-81847-50	36 - 15	8R6-83928-00	40 - 15
83R-25831-00	21 - 1	8CR-47448-00	24 - 22	83R-77144-00	29 - 45	8AT-77522-00	33 - 13	8Y3-81850-50	36 - 2	437-83936-01	22 - 9
86M-25833-00	21 - 15	8AC-47457-00	24 - 8		34 - 12	8AT-77523-00	33 - 16	8BB-8185A-00	36 - 20		38 - 19
89J-25911-00	21 - 19	8AX-47458-00	24 - 10	83R-7714A-00	29 - 26	8AT-77524-00	33 - 17	4H7-81872-00	36 - 7	8K4-83950-01	40 - 10
8DX-26240-01	22 - 8	8AC-4745A-10	24 - 80	8AT-77153-00	29 - 17	8X0-77525-00	33 - 30	82M-81910-A0	41 - 15	85G-83956-00	40 - 21
3HE-26280-00	29 - 74	8CR-4745B-00	24 - 81	8AT-77154-00	29 - 18	8AT-77526-00	15 - 21	50W-81940-10	41 - 28	8AU-83963-00	40 - 13
3HE-26290-00	29 - 75	8DF-47463-01	24 - 35	8U1-77157-00	33 - 26	8X0-77526-00	33 - 31	8AC-81970-00	41 - 26	88T-8399F-00	40 - 22
1AE-26298-00	29 - 76	8DF-47464-01	24 - 36	838-77159-00	29 - 65	8AT-77527-01	15 - 19	5E3-82110-81	41 - 21	498-84145-60	38 - 8
83R-26311-02	22 - 1	8AC-47465-00	24 - 16	8CR-77165-00	15 - 41	8AT-77529-00	33 - 4	8R4-82113-00	40 - 4	498-84163-60	38 - 10
8L8-26320-04	4 - 21	83R-47469-00	24 - 95	8V0-77171-00	29 - 59	8AC-77540-10	33 - 18	88N-82115-00	41 - 30	498-84164-60	38 - 9
8U9-26325-00	22 - 6	8AC-47475-00	24 - 47	8M6-77175-00	29 - 72	8AT-77551-01	33 - 7	88N-82116-00	36 - 23	83R-8430A-G0	38 - 1
83R-26331-01	22 - 4	8AC-47478-00	25 - 24	83R-7717E-00	15 - 44	8AT-77552-00	33 - 6	83R-82117-01	36 - 22	83R-8430M-00	38 - 11
8G8-26333-00	22 - 5	8DM-47479-00	23 - 30	83R-7717F-00	15 - 45	8AT-77553-00	33 - 8	84N-82122-00	41 - 31	2F9-84314-00	38 - 6
87R-26340-01	22 - 3	8AC-47480-40	24 - 61	82M-7717G-01	29 - 13	8X0-77571-00	33 - 29	4J2-82131-01	15 - 3	51L-8431U-00	38 - 3
341-26397-01	19 - 18	8AC-47481-00	24 - 28	8V0-7717H-01	29 - 12	86D-77591-00	33 - 24	8Y7-82133-00	41 - 33	36Y-84324-00	38 - 5
	41 - 37	83R-47485-02	24 - 18	83R-77185-00	29 - 29	83R-77595-00	33 - 34	8AC-82136-10	41 - 32	26H-8432M-00	38 - 13
85R-2639F-00	15 - 55		24 - 56	83R-77186-00	29 - 41	86V-77711-00	34 - 1	8BE-82150	41 - 24	51L-84332-00	38 - 2
88T-27431-10	15 - 65	8AT-47486-00	23 - 11	83R-77194-00	29 - 37	83R-77712-00	34 - 22	42X-82151-00	41 - 25	51L-84334-00	38 - 4
88T-27441-10	15 - 66	8AC-47488-10	24 - 40	8AT-77196-00	29 - 71	83R-77728-00	34 - 24	88T-82310-01	41 - 1	36Y-84354-00	38 - 16
85L-28100-00	15 - 70	8CR-47494-01	24 - 69	86V-77210-10	31 - 1	83R-77731-00	34 - 20	87L-82318-00	41 - 38	8AT-84359-00	38 - 18
8AC-2815P-S0	29 - 66	8CV-47495-00	24 - 24	83R-77212-00	29 - 50	83R-77740-00	34 - 23	8AC-82355-00	41 - 36	36Y-84397-00	38 - 7
8AC-4631K-00	24 - 62	83R-47520-10	23 - 33	87S-77213-10	31 - 2	83R-77741-00	34 - 9	8AC-8235W-00	41 - 22	8K4-84710-00	39 - 1
8AC-47110-10	23 - 1		24 - 94	8AC-77231-60	29 - 49	87A-77741-00	34 - 6	861-82361-00	41 - 4	8K4-84711-00	39 - 3
8AC-47310-10	24 - 79	8K2-47530-00	23 - 25	83R-77241-00	29 - 46	8V0-77741-20	34 - 2	8K1-82370-20	41 - 5	838-84714-01	39 - 2
87M-47320-00	23 - 6	87R-47541-00	28 - 1	87R-77251-01	29 - 53	87A-77742-00	34 - 5	8G5-82372-00	41 - 6	8AC-84717-01	41 - 20
	23 - 12	83R-47543-00	27 - 1	8AT-77261-00	29 - 3	8U9-77742-00	34 - 3	8AC-82509-00	41 - 19	8K4-84718-00	39 - 7
	23 - 40	85R-47544-01	28 - 17	8AT-77262-00	29 - 4	87A-77743-00	34 - 4	8K1-82510-20	41 - 9	8K4-84721-00	39 - 4
8AC-47320-00	23 - 18	83R-47548-00	27 - 49	8AT-77263-00	29 - 5	87A-77745-00	34 - 7	8R4-8252V-00	40 - 8	87M-84723-00	39 - 6
8U7-47320-00	23 - 22	8AC-47550-00	23 - 21	8AT-77264-00	29 - 6	8AC-77761-R1	34 - 8	88R-82530-00	40 - 11	86R-85110-00	42 - 1
8AC-47331-00	24 - 12	83R-47551-00	26 - 5	8AT-77265-00	29 - 7	8AC-77762-R1	32 - 3	4KD-82540-00	41 - 39	8GM-85110-00	42 - 3
8AC-47332-00	24 - 46	83R-47571-00	28 - 13	8AT-77266-00	29 - 8	81L-81313-M0	35 - 4	8AU-82575-09	40 - 14	81L-85520-M0	35 - 3
8FM-47333-00	25 - 6	8K4-47577-00	26 - 2	8HT-77267-00	29 - 9	81L-81314-M0	35 - 5	526-82579-00	41 - 10	8AU-85540-00	41 - 7
83R-47335-00	25 - 21	8AT-47578-00	28 - 47	8AT-77268-00	29 - 10	8BB-81800-01	36 - 1	8AC-82590-10	41 - 18	2A7-85546-00	41 - 8
83R-47337-00	25 - 1	88N-47591-00	28 - 18	8HT-77269-00	29 - 11	73A-81811-00	36 - 4	8Y0-82599-00	35 - 13	8AT-85550-01	35 - 1
8AC-47341-00	24 - 9	85R-47592-00	28 - 22	8AT-77271-00	15 - 36	84N-81812-00	36 - 10	87S-8259A-01	7 - 29	8AT-85560-00	35 - 2
8AC-47349-00	24 - 93	83R-47612-00	27 - 42	8AC-77272-00	15 - 37	8L6-81813-50	36 - 11	8AU-82720-02	40 - 12	8R4-85580-M0	35 - 6
8AC-47366-00	24 - 77	83R-47613-00	27 - 39	8AT-77273-10	15 - 38	84N-81826-00	36 - 14	8BE-82917-00	41 - 14	8FM-W4741-10	25 - 2
8DF-47367-00	24 - 90	88N-47631-00	12 - 12	8AT-77274-00	15 - 39	73A-81829-00	36 - 8	8AU-82970-02	40 - 16		25 - 3
8AC-47411-10	24 - 1	83R-47700-00	37 - 9	8AT-77275-00	15 - 40	73A-81829-50	36 - 5	87L-83383-01	41 - 11	83R-W4751-10	26 - 1
8AC-47414-10	24 - 2	8K4-47715-00	37 - 10	8AT-77311-00	32 - 1	84N-81832-51	36 - 3	86V-83510-20	37 - 1	83R-W4753-01	26 - 3
8AC-47416-01	24 - 39	8HT-77111-00	29 - 1	8AT-77319-00	32 - 4	8L6-81833-50	36 - 19	4R0-83517-00	37 - 3	8HT-W7726-00	29 - 2
8AC-47417-00	24 - 34	83R-77118-01	29 - 64	83R-77327-00	32 - 2	8L6-81834-50	36 - 13	8G6-83523-00	37 - 4	88R-W8291-00	40 - 1
8AC-47418-00	24 - 54	8HT-77121-00	29 - 21	8AC-77355-60	30 - 2	8L6-81835-50	36 - 18	8V7-83536-40	37 - 2	8K4-W8393-00	40 - 6
8CM-47419-10	23 - 2	8HT-77122-00	29 - 22	86V-77384-00	20 - 4	8BB-81836-00	36 - 16	8H4-83560-00	37 - 8	90101-08005	17 - 10
	23 - 36	83R-77125-00	29 - 30	8AT-77511-01	33 - 1	8L6-81840-50	36 - 9	8K1-83603-00	37 - 7	90101-08774	23 - 10

NUMERICAL INDEX

PART NO.	REF. NO.	PART NO.	REF. NO.	PART NO.	REF. NO.	PART NO.	REF. NO.	PART NO.	REF. NO.	PART NO.	REF. NO.
88R-00000-51	44 - 1	866-13175-00	5 - 4	8H8-14441-00	6 - 19	88R-17624-01	44 - 4	89X-21917-00	15 - 28	87S-23845-01	17 - 25
8R6-11111-00	1 - 1	821-13176-00	5 - 3	83R-14453-00	6 - 15	88R-17631-01	11 - 15	8AC-21933-00	15 - 63	87S-23847-01	17 - 21
J38-11116-00	9 - 7	8K2-13178-00	2 - 22	83R-14465-00	6 - 20		43 - 4	81E-21945-00	15 - 2		17 - 26
83R-11161-00	1 - 3	8H8-13179-00	5 - 14	8H8-14466-00	6 - 21	8V0-17639-00	11 - 2	8AT-2194Y-00	15 - 26	82M-23851-00	16 - 32
83R-11162-00	1 - 10	821-13188-00	5 - 5	8H8-14477-00	6 - 22		43 - 6	83R-21955-00	15 - 4	8AT-23852-00	16 - 33
83R-11181-00	1 - 4	8G8-13342-00	5 - 16	8K4-14610-00	8 - 1	8BW-17640-11	11 - 8	8AT-2195Y-00	15 - 27	8V0-23858-00	19 - 29
83R-11311-00	1 - 9	8G8-13410-00	14 - 7	82M-14613-01	8 - 2		43 - 5	8AC-21965-00	15 - 10	84M-23868-00	17 - 6
89N-11351-00	1 - 12	353-13552-01	4 - 6	83R-14710-04	8 - 5	87X-17641-00	11 - 29	8AT-2196T-00	15 - 56	83R-23870-00	18 - 1
8AT-11400-01	2 - 6	8G8-13555-01	6 - 11	83R-14728-01	8 - 6	8V0-17647-00	11 - 30	83R-21986-00	15 - 7	84M-23872-00	17 - 7
83R-11412-01	2 - 7	8Y7-13556-01	6 - 6	83R-14941-4E	7 - 11		43 - 19	83R-21987-00	15 - 8	8AT-23883-00	18 - 2
8H8-11422-01	2 - 8	83R-13565-00	6 - 7	1UF-14952-00	7 - 22	8BW-17653-00	11 - 9	83R-2198F-00	15 - 5	8AT-23884-00	18 - 3
8H8-11432-01	2 - 9	8AT-13610-00	6 - 1	8H8-15100-02	9 - 1		43 - 15	8M6-2198F-00	15 - 23	8AC-23894-01	17 - 9
8AT-11442-00	2 - 10	8AT-13613-00	6 - 2	3Y1-15363-10	28 - 20	88R-17660-03	12 - 1	8AC-2198G-00	15 - 59	83R-24111-00	19 - 1
8H8-11515-00	2 - 14	8H8-13616-00	6 - 3	8AT-15416-00	5 - 1	8AT-17670-01	12 - 2	8M6-21998-00	15 - 24	8AC-2414B-01	30 - 3
8R6-11601-00	2 - 2	84R-14101-02	7 - 1	8K4-15426-00	5 - 10	88N-17680-02	12 - 11	8AT-2199G-01	15 - 48	83R-2419A-00	34 - 29
8R6-11601-10	2 - 2	22F-14117-00	7 - 21	8H8-15710-00	10 - 1	83R-17682-00	27 - 12	8AT-2199H-00	29 - 70	84M-24327-00	6 - 40
8R6-11601-20	2 - 2	8V0-14118-00	7 - 17	8H8-15711-00	10 - 2	8AT-17684-01	12 - 9	8AT-22401-00	16 - 19		14 - 14
8R6-11631-00-95	2 - 1	127-14124-20	7 - 26	8F3-15713-01	10 - 5	8X6-17688-00	12 - 3	89L-22493-00	16 - 22	81E-24328-00	19 - 28
8H8-11633-00	2 - 3	89A-14125-00	7 - 18	8F3-15714-01	10 - 3	52G-18113-00	28 - 25	4XV-2341B-00	31 - 7	83R-24335-00	19 - 13
8R6-11635-00	2 - 1	8M6-14126-00	7 - 4	8F3-15715-00	10 - 6	83R-18116-00	28 - 44	8AC-23711-00	16 - 1	813-24336-00	19 - 17
8R6-11636-00	2 - 1	2J2-14133-00	7 - 19	8G5-15716-00	10 - 15	89N-18130-01	28 - 10	8DM-23712-00	16 - 2	801-24376-00	14 - 6
8R6-11651-00	2 - 12	82A-14134-00	7 - 2	8F3-15716-03	10 - 9	83R-18150-00	28 - 24	8EN-23731-01	16 - 4	82M-24376-00	19 - 19
8A7-11685-00	2 - 23	127-14135-00	7 - 14	8H8-15723-01	10 - 18	83R-18153-00	28 - 30	88T-23743-00	16 - 12	878-24379-00	19 - 31
8H8-12611-01	3 - 14	193-14142-90	7 - 16	8F3-15734-00	10 - 8	3X3-18156-10	28 - 45	8EK-23751-00	16 - 5	8AT-24410-00	6 - 29
8H8-12612-00	3 - 21	3G2-1414E-56	7 - 12	8G5-15739-00	10 - 12	3X3-18157-10	28 - 40	8AC-23754-00	16 - 3	89A-24529-00	7 - 28
8L0-12616-00	3 - 34	193-1414F-00	7 - 16	8F3-15739-01	10 - 7	83R-1815A-00	28 - 26	8AC-23765-00	16 - 11	8H5-24560-00	19 - 15
8H8-12618-01	3 - 22	802-14161-00	7 - 27	8F3-15741-01	10 - 4	59V-18174-00	28 - 27	83R-23768-00	25 - 19	8W6-24611-00	19 - 2
8H8-12619-01	3 - 16	8A7-14169-00	7 - 24	8F3-15751-00	10 - 13	83R-18341-00	28 - 31	8AC-2376A-00	16 - 18	813-24613-01	19 - 3
88F-12621-02	3 - 1	8G8-14171-00	7 - 15	8F3-15755-00	10 - 14	59V-18433-00	28 - 37	84M-2376E-00	16 - 51	83M-24628-00	19 - 8
8AC-1262A-R1	3 - 40	8U9-14174-00	7 - 13	83R-17121-00	27 - 6	83R-18511-00	27 - 37	8AT-2376J-00	16 - 29	8F7-24641-00	19 - 4
8Y0-12637-02	3 - 35	8AT-1417E-00	32 - 5	8AT-17131-00	27 - 11	83R-18531-00	27 - 38	8L0-2376R-00	16 - 30	8AC-2470F-20	20 - 2
8H8-12651-02	3 - 23	8M6-14185-00	7 - 10	8AT-17141-00	27 - 19	89N-18540-00	28 - 2	82M-23777-00	16 - 20	85R-2471A-00	15 - 54
8H8-12652-00	3 - 33	68V-14186-00	7 - 9	83R-17143-00	27 - 26	59V-18561-00	28 - 29	83R-23779-00	16 - 25	83R-24729-00	20 - 3
8H8-12658-00	3 - 25	83R-14190-15	7 - 8	83R-17151-00	27 - 20	8H8-21411-01	13 - 1	84M-2377E-00	16 - 52	8AC-24730-20	20 - 1
8Y0-12658-00	3 - 3	214-14195-00	7 - 7	83R-17153-00	27 - 36	8AT-21417-00	13 - 15	8L0-23788-00	16 - 23	8AT-24778-00	20 - 5
8H8-12659-00	3 - 26	286-14198-00	7 - 6	83R-17243-00	27 - 35	8H8-21418-01	13 - 16	8AU-23811-10	17 - 1	8AC-24790-20	20 - 7
8H8-12669-00	3 - 27	620-14211-00	7 - 3	85R-17421-00	27 - 2	83R-21419-00	13 - 2	8F3-23812-00	17 - 8	8FM-24897-11	33 - 28
8V8-12678-00	3 - 28	80L-14227-00	7 - 25	83R-17431-00	27 - 17	8H8-21427-00	13 - 17	8AT-23813-01	17 - 2	87R-25721-00	21 - 10
8AT-12679-00	3 - 30	3G2-14231-27	7 - 12	83R-17432-01	27 - 31	8H8-21429-01	13 - 3	8G5-23814-00	17 - 3	87R-25722-00	21 - 13
8Y0-12679-00	3 - 2	3G2-14231-28	7 - 12	83R-17492-10	27 - 10	8V9-21485-00	13 - 5	8K1-23814-00	17 - 4	87R-25726-01	21 - 4
8Y0-12687-02	3 - 36	3G2-14231-77	7 - 12		27 - 25	8N7-21486-00	13 - 4	8W9-23815-00	17 - 12	87R-25730-01	21 - 2
8AT-13101-00	4 - 1	3G2-14231-78	7 - 12	8AC-17601-09	43 - 1	8V9-21486-00	13 - 6	8W9-23817-00	17 - 13	86M-25733-00	21 - 14
8Y0-13116-01	4 - 17	3G2-14231-79	7 - 12	8AT-17605-00	11 - 25	83M-21488-00	24 - 13	8AT-23818-00	15 - 20	86M-25738-00	21 - 3
8K4-13119-00	5 - 18	8M6-14261-00	7 - 5	88R-17611-02	11 - 1	8AT-21747-00	14 - 23	8AT-23821-00	17 - 19	87R-25743-00	21 - 12
137-13137-00	4 - 11	89A-14265-00	7 - 20		43 - 2	83R-21751-00	14 - 1	8L0-2382E-01	16 - 40	86M-25744-00	21 - 16
137-13138-01	4 - 10	8X0-14358-00	7 - 23	89F-17621-00	11 - 3	863-21771-00	14 - 4	8L0-2382F-00	16 - 41	86M-25771-00	21 - 7
8A5-13146-01	4 - 19	83R-14425-00	6 - 28		43 - 3	8AC-21910-30	15 - 1	8AT-23831-00	17 - 24	86M-25772-00	21 - 8
137-13148-00	5 - 7	8H8-14431-00	6 - 18	88R-17624-01	11 - 21	8AC-21912-00	15 - 6	86X-23841-00	17 - 20	86M-25773-00	21 - 6

NUMERICAL INDEX

PART NO.	REF. NO.	PART NO.	REF. NO.	PART NO.	REF. NO.	PART NO.	REF. NO.	PART NO.	REF. NO.	PART NO.	REF. NO.
90467-11009	19 - 22	91A30-05010	14 - 10	93102-36232	15 - 32	93700-06004	16 - 35	95707-06300	15 - 52	95827-08020	33 - 23
90467-11032	6 - 35	91A30-05052	14 - 19	93102-46394	28 - 16		24 - 87		15 - 61		33 - 25
	6 - 41	91A30-05060	14 - 20	93103-32095	2 - 21	94702-00188	1 - 2		24 - 27	95827-08040	28 - 23
	14 - 8	91A30-05085	14 - 12	93103-32156	2 - 26	94880-06070	28 - 11		29 - 16	95827-08055	17 - 5
	19 - 16	91A30-05120	14 - 11	93103-36117	15 - 33	95027-06040	5 - 12		29 - 28	95827-08075	9 - 4
	19 - 23	91A30-07016	14 - 13	93109-53036	16 - 37	95027-06055	5 - 13		29 - 48	95827-08085	9 - 5
90468-02025	4 - 7	92901-05100	4 - 12	93210-10010	28 - 34	95301-05600	4 - 13		29 - 52	95827-08220	24 - 59
	4 - 18	92901-06100	10 - 10	93210-19123	28 - 21	95301-06700	10 - 11		34 - 16	95827-10050	21 - 17
90468-10003	29 - 32	92902-03100	6 - 5	93210-28763	28 - 14	95302-05600	37 - 5		41 - 17	97007-06010	27 - 52
90480-10348	15 - 53	92902-04100	35 - 10	93306-00002	5 - 15	95307-05700	6 - 25		41 - 35	97007-06014	10 - 16
90480-12012	34 - 30	92902-05100	37 - 6	93306-00444	23 - 7	95307-06600	29 - 44	95707-06500	6 - 32		41 - 16
90480-12314	41 - 23	92902-05200	40 - 9		23 - 13		36 - 21		15 - 69	97007-06025	24 - 25
90480-15061	15 - 35	92907-05100	4 - 16		23 - 19		39 - 11		28 - 36	97007-08025	6 - 12
90480-15268	33 - 36		17 - 18		23 - 23	95307-08600	16 - 27		28 - 41	97007-08040	38 - 14
90501-02217	4 - 4		29 - 33		23 - 41		33 - 11		28 - 46	97017-06030	11 - 17
90501-084G9	6 - 34	92907-05200	17 - 17	93306-00507	26 - 6	95307-08800	33 - 22		29 - 63		43 - 17
90501-084J0	6 - 37	92907-05600	6 - 24	93306-20315	3 - 11	95307-10700	17 - 22		29 - 78	97027-06020	16 - 31
90501-101A7	28 - 28		17 - 15	93306-20321	27 - 18		17 - 27		41 - 29	97027-06025	6 - 9
90501-147A6	28 - 7	92907-06100	29 - 43		27 - 32		27 - 47	95707-08300	16 - 10		15 - 49
90501-20130	19 - 5		39 - 10	93306-20402	27 - 3	95317-08600	28 - 42		16 - 58	97027-08020	12 - 15
90501-407E4	25 - 20	92907-06200	29 - 15		27 - 33	95602-08200	8 - 3		19 - 20	97027-08040	3 - 4
90501-481J1	11 - 28	92907-06600	6 - 10	93306-20469	23 - 26	95607-05200	11 - 7	95707-08500	1 - 6	97027-08055	3 - 6
90501-556G6	11 - 28		10 - 17	93306-20582	12 - 13		11 - 14		24 - 23		16 - 6
90501-581J7	11 - 28		11 - 18	93306-20617	2 - 19		42 - 2	95707-10300	16 - 48	97027-08075	3 - 8
90501-75612	16 - 21		28 - 38	93306-20620	2 - 20		43 - 13		17 - 30		3 - 10
90506-06065	19 - 14		29 - 20	93306-30627	2 - 16		44 - 11		23 - 31	97027-08100	16 - 7
90506-20272	8 - 4		41 - 34	93306-30628	2 - 17	95607-06100	14 - 16	95707-10500	13 - 13	97027-10025	24 - 86
90507-16045	8 - 7		43 - 10	93306-37206	27 - 4	95607-06200	41 - 13	95707-12300	25 - 23	97701-40130	39 - 5
90507-16046	8 - 8	92907-08100	33 - 21	93306-90802	28 - 15	95607-08200	23 - 9	95707-12500	13 - 14	97706-30620	40 - 17
90508-10715	19 - 9	92907-08200	33 - 10	93310-320G0	2 - 5		23 - 43	95807-06012	15 - 46	97706-30630	40 - 18
90508-50746	12 - 10		33 - 20	93310-524K4	2 - 13		24 - 58	95807-06016	14 - 18	97707-40616	38 - 12
91317-06025	28 - 39	92907-08600	3 - 5	93311-42265	27 - 7		25 - 15		34 - 15	97707-50014	29 - 68
91401-16025	3 - 29		3 - 7	93315-21227	27 - 43		33 - 27	95807-06020	41 - 27	97707-50016	29 - 24
	3 - 31		3 - 9	93317-22021	27 - 27	95607-10100	24 - 33	95807-06025	3 - 39	97880-06020	41 - 2
91401-20020	16 - 17		6 - 13	93317-32241	27 - 13		24 - 68	95807-08016	18 - 4	98502-03008	6 - 4
	16 - 50		12 - 16		27 - 21	95607-10200	16 - 14	95807-08040	33 - 32	98502-04008	35 - 11
91401-25020	17 - 31		16 - 57	93410-25017	12 - 19		24 - 92	95817-08035	25 - 14	98502-04012	35 - 9
91609-25050	19 - 7		38 - 15	93410-52061	16 - 39	95607-14200	23 - 34	95817-10020	12 - 21	98507-04018	4 - 20
91609-30008	25 - 12	92907-10600	23 - 35	93430-02001	19 - 12		24 - 97	95817-10030	25 - 7	98507-05008	17 - 16
91609-30010	2 - 15	92907-16100	2 - 29	93440-34170	12 - 8	95612-08318	1 - 11	95817-10045	13 - 7	98507-05016	4 - 15
	22 - 7		3 - 18	93440-78069	2 - 25	95617-08640	16 - 56	95827-06016	41 - 12		6 - 23
91609-30016	19 - 6		11 - 31	93450-13133	11 - 23	95617-08655	16 - 55	95827-06030	9 - 6	98507-05030	17 - 14
91609-50032	11 - 10		43 - 20	93450-21053	2 - 4	95702-05300	40 - 5	95827-06035	27 - 58	98507-06010	6 - 26
	43 - 18	92990-06600	41 - 3	93503-08007	28 - 6	95702-05500	42 - 4	95827-06045	27 - 56	98507-06020	29 - 19
91830-22016	9 - 2	93101-10001	5 - 2	93505-32002	4 - 3	95707-04300	34 - 19	95827-08014	26 - 9	98707-04016	34 - 17
91A20-05145	19 - 27	93102-15212	28 - 3	93603-22028	5 - 9	95707-05300	15 - 30		33 - 19	98707-05016	29 - 56
91A30-03042	4 - 5	93102-20010	27 - 34	93604-07141	9 - 3		29 - 58	95827-08016	9 - 8	98707-06020	29 - 77
91A30-05004	14 - 15	93102-22014	27 - 5	93612-44229	27 - 40		34 - 27		10 - 19	98902-04020	4 - 9



NUMERICAL INDEX

PART NO.	REF. NO.	PART NO.	REF. NO.	PART NO.	REF. NO.	PART NO.	REF. NO.	PART NO.	REF. NO.
98904-06016	29 - 27								
98907-05012	29 - 54								
98907-05014	15 - 29								
98907-05016	34 - 25								
98907-06008	27 - 53								
98907-06010	14 - 3								
98907-06014	29 - 40								
98907-06016	15 - 18								
	34 - 10								
	35 - 14								
98907-06025	3 - 38								
	15 - 67								
	29 - 60								
98907-06035	29 - 73								
99001-04600	40 - 19								
99009-10400	5 - 8								
99009-12400	27 - 45								
99009-20400	23 - 15								
	24 - 44								
	27 - 29								
99009-22400	27 - 9								
	27 - 24								
99009-40500	3 - 12								
99009-42500	23 - 8								
	23 - 14								
	23 - 20								
	23 - 24								
	23 - 42								
99009-47500	23 - 27								
99009-52500	12 - 14								
99246-00080	3 - 24								
99246-00120	31 - 6								
99246-00200	30 - 1								
99530-08016	5 - 11								
99530-10114	27 - 57								